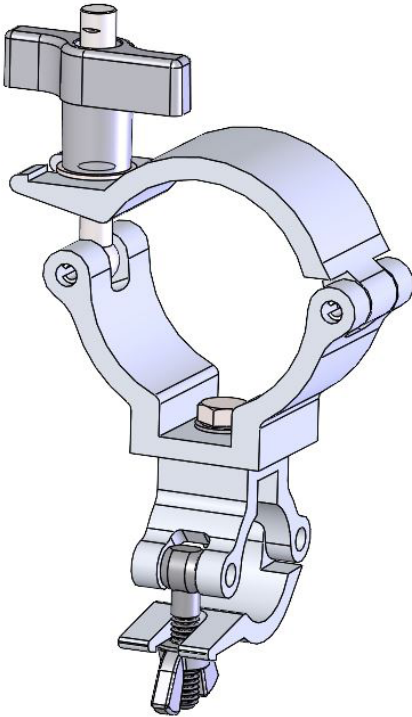


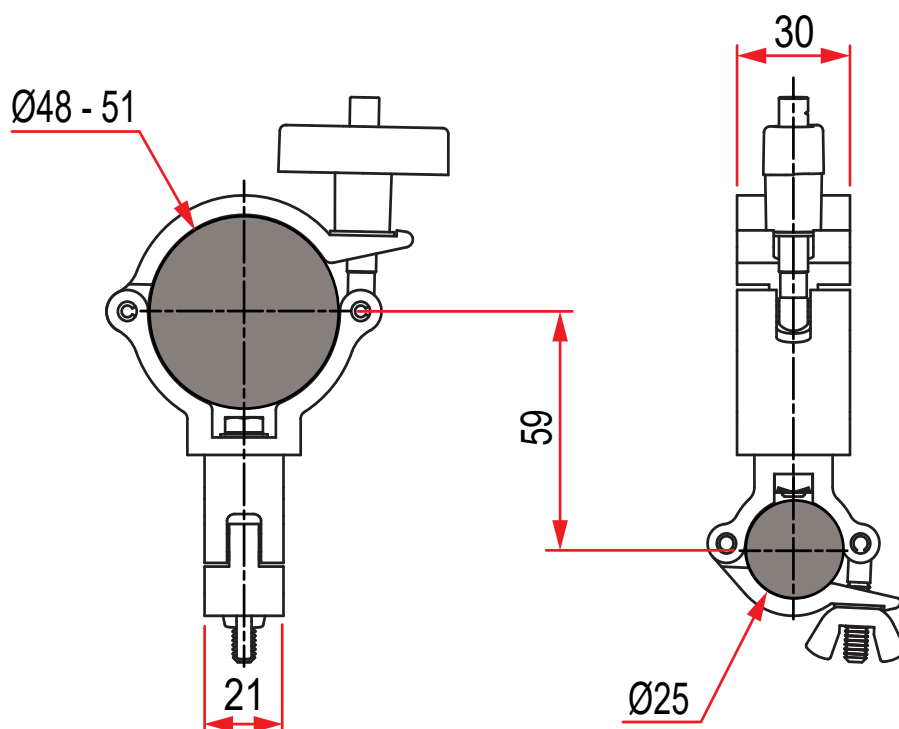


Product Data Sheet

Super Lightweight to Atom Coupler



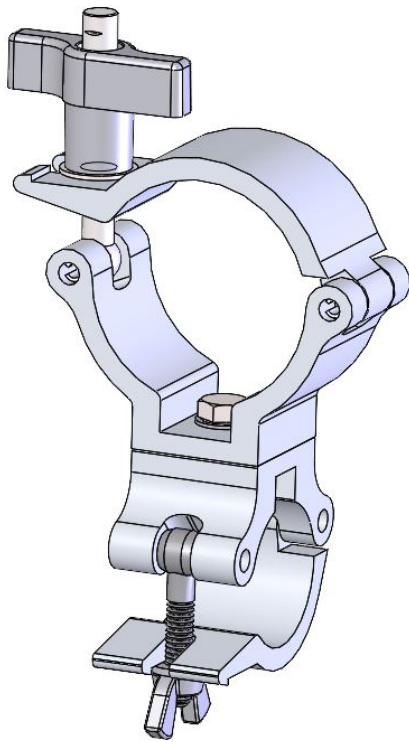
A super lightweight half coupler and 25mm atom coupler swivel combination.	
Part Nos	T58132 - Polished T5813201 - Powder Painted Satin Black
Tube Diameter	Ø48 - 51mm & Ø25mm
Materials	Main Body - AW6082 T6 Aluminium Roll Pins - Stainless Steel Eyebolt - Grade 8.8
Max Tightening Torque	Hand-tight Only
Fixings	N/A
WLL	100Kg Vertical Load
Weight	0.40Kg
Factor of Safety	5:1
Approval	TÜV Approved



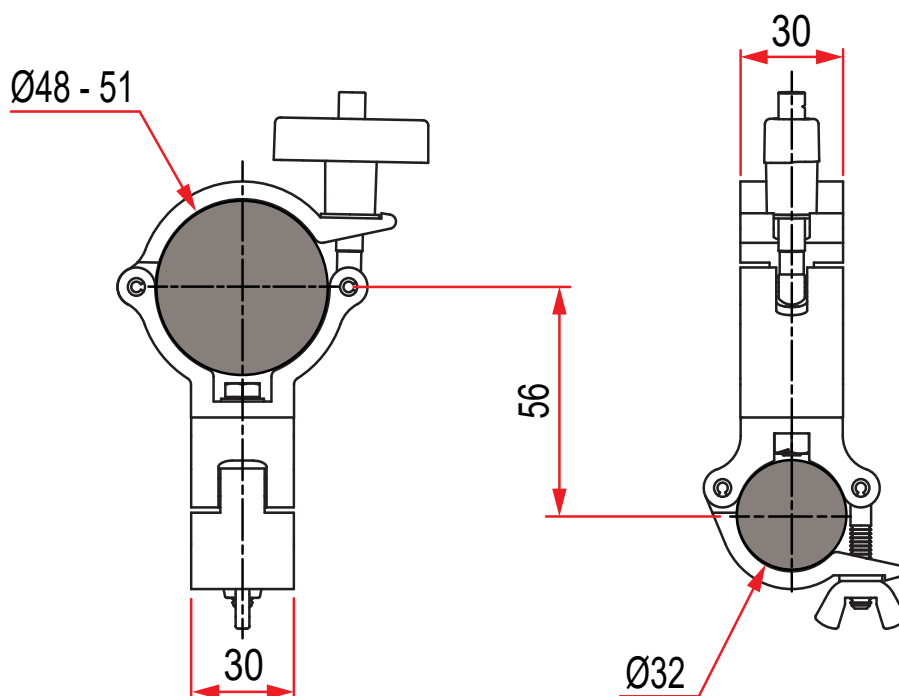


Product Data Sheet

Super Lightweight to Atom Coupler



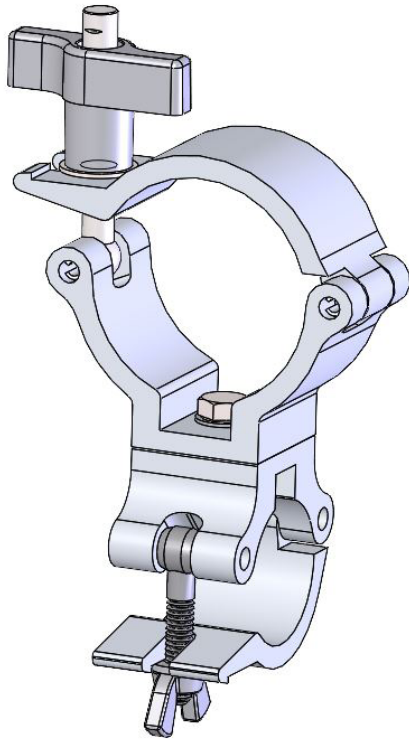
A super lightweight half coupler and 32mm atom coupler swivel combination.	
Part Nos	T58133 - Polished T5813301 - Powder Painted Satin Black
Tube Diameter	Ø48 - 51mm & Ø32mm
Materials	Main Body - AW6082 T6 Aluminium Roll Pins - Stainless Steel Eyebolt - Grade 8.8
Max Tightening Torque	Hand-tight Only
Fixings	N/A
WLL	100Kg Vertical Load
Weight	0.40Kg
Factor of Safety	5:1
Approval	TÜV Approved



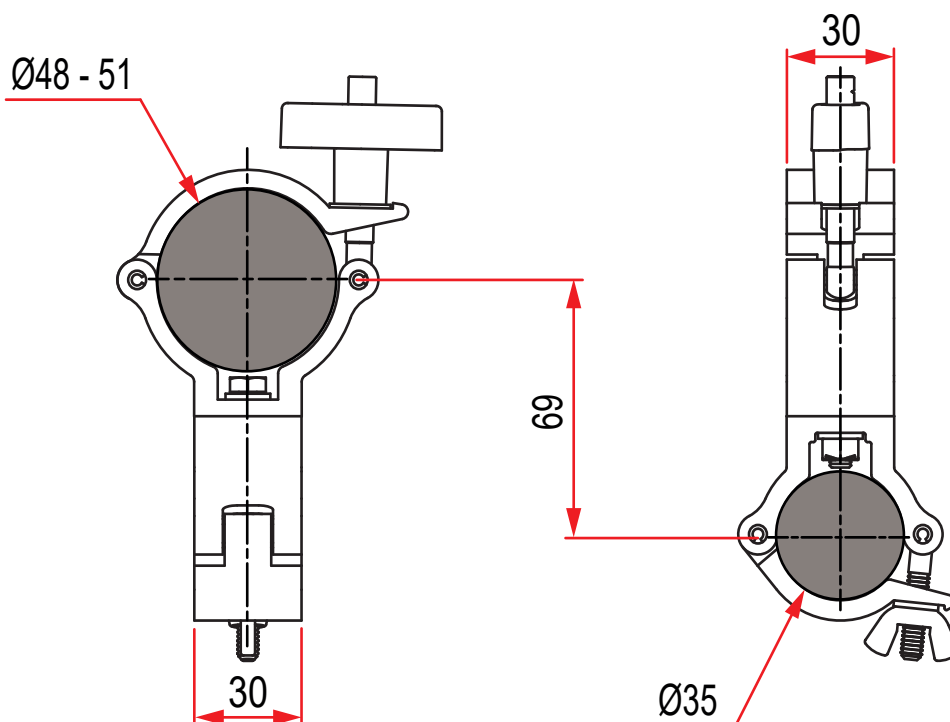


Product Data Sheet

Super Lightweight to Atom Coupler



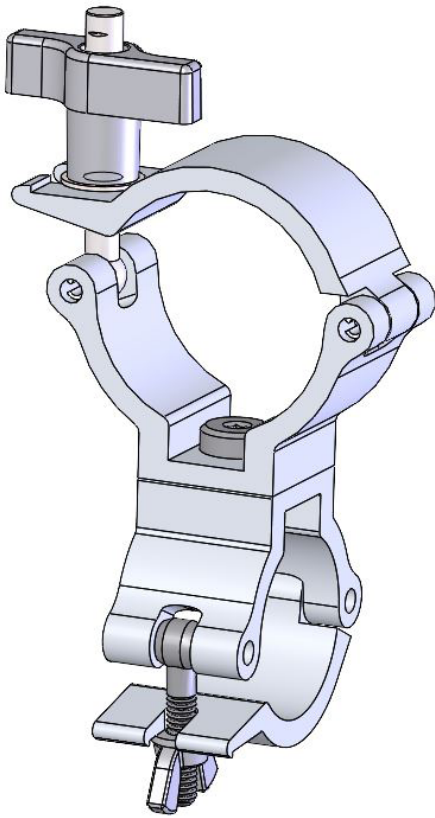
A super lightweight half coupler and 35mm atom coupler swivel combination.	
Part Nos	T58134 - Polished T5813401 - Powder Painted Satin Black
Tube Diameter	Ø48 - 51mm & Ø35mm
Materials	Main Body - AW6082 T6 Aluminium Roll Pins - Stainless Steel Eyebolt - Grade 8.8
Max Tightening Torque	Hand-tight Only
Fixings	N/A
WLL	100Kg Vertical Load
Weight	0.40Kg
Factor of Safety	5:1
Approval	TÜV Approved





Product Data Sheet

Super Lightweight to Atom Coupler



A super lightweight half coupler and 38mm atom coupler swivel combination.	
Part Nos	T58135 - Polished T5813501 - Powder Painted Satin Black
Tube Diameter	Ø48 - 51mm & Ø38mm
Materials	Main Body - AW6082 T6 Aluminium Roll Pins - Stainless Steel Eyebolt - Grade 8.8
Max Tightening Torque	Hand-tight Only
Fixings	N/A
WLL	100Kg Vertical Load
Weight	0.40Kg
Factor of Safety	5:1
Approval	TÜV Approved

