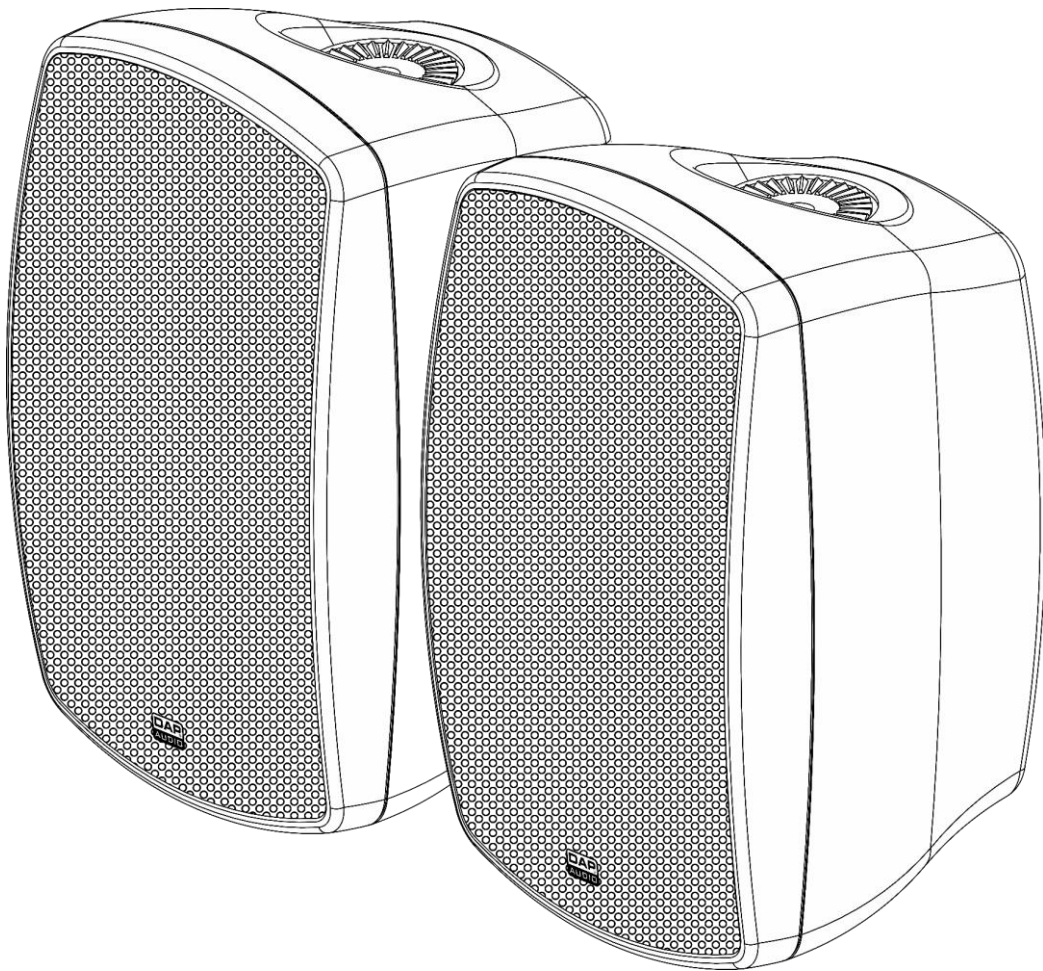




**MANUAL**



**ENGLISH**

**EVO 8A**

**V1**

**Ordercode: D3692**

**Table of contents**

---

**Warning** .....2  
    Safety Instructions .....2  
    Operating Determinations .....3  
    Return Procedure .....4  
    Claims.....4

**Description of the device**.....5  
    Overview .....5  
    Back.....6

**Installation**.....7

**Set Up and Operation** .....7

**Names and Functions** .....8

**Maintenance** .....8  
    Replacing the Fuse .....8

**Troubleshooting** .....9  
    No Sound .....9  
    Sound Warping.....9

**Product Specifications** .....9

**Dimensions**.....10

## Warning



**For your own safety, please read this user manual carefully  
before your initial start-up!**

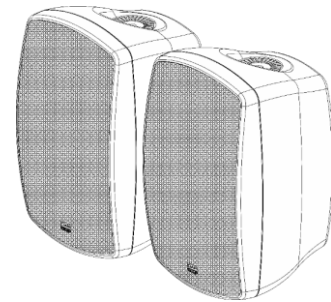


### Unpacking Instructions

Immediately upon receiving this product, carefully unpack the carton and check the contents to ensure that all parts are present, and have been received in good condition. Notify the dealer immediately and retain packing material for inspection if any parts appear damaged from shipping or the carton itself shows signs of mishandling. Save the carton and all packing materials. In the event that a fixture must be returned to the factory, it is important that the fixture be returned in the original factory box and packing.

### Your shipment includes:

- DAP Audio 2-way active speaker system EVO 8A, 2 x 80 W
- C8 power cable (1,2 m)
- Speaker cable (2,7 m)
- 2 x mounting bracket
- User manual



### CAUTION!

**Keep this device away from rain and moisture!  
Unplug mains lead before opening the housing!**



### Safety Instructions

Every person involved with the installation, operation and maintenance of this system has to:

- be qualified
- follow the instructions of this manual



**CAUTION! Be careful with your operations.  
With a dangerous voltage you can suffer  
a dangerous electric shock when touching the wires!**



Before your initial start-up, please make sure that there is no damage caused by transportation.

Should there be any, consult your dealer and do not use the system.

To maintain perfect condition and to ensure a safe operation, it is absolutely necessary for the user to follow the safety instructions and warning notes written in this manual.

Please consider that damages caused by manual modifications to the system are not subject to warranty.

This system contains no user-serviceable parts. Refer servicing to qualified technicians only.

### IMPORTANT:

The manufacturer will not accept liability for any resulting damages caused by the non-observance of this manual or any unauthorized modification to the system.

- Always disconnect power from the mains, when system is not used. Only handle the power cord by the plug. Never pull out the plug by tugging the power cord.
- Always operate the unit with the AC ground wire connected to the electrical system ground.
- Avoid flames and do not put close to flammable liquids or gases.

- Avoid ground loops! Always be sure to connect the power amps and the mixing console to the same electrical circuit to ensure the same phase!
- Avoid installing your equipment very near radio or TV sets, mobile phones, etc., as these can cause RF (radio frequency) interference.
- Avoid loud feedback from microphones. This can damage your speaker.
- Before changing your grounds around, always turn your amplifiers down.
- Do not connect this device to a dimmer pack.
- Do not drive the inputs with a signal level higher than required to drive the equipment to full output.
- Do not open this device. Risk: hazardous radiation exposure.
- Do not open the device and do not modify the device.
- Do not switch the system on and off in short intervals, as this would reduce the system's life.
- Extreme frequency boosts in connection with a high input signal level may lead to overdriving your equipment. Should this occur, it is necessary to reduce the input signal level by using the INPUT control.
- For replacement use fuses of same type and rating only.
- If device is dropped or struck, disconnect mains power supply immediately. Have a qualified engineer inspect for safety before operating.
- If the system has been exposed to drastic temperature fluctuation (e.g. after transportation), do not switch it on immediately. The arising condensation water might damage your system. Leave the system switched off until it has reached room temperature.
- If your DAP Audio device fails to work properly, discontinue use immediately. Pack the unit securely (preferably in the original packing material), and return it to your DAP Audio dealer for service.
- Make sure that the available voltage is not higher than stated on the rear panel.
- Make sure that the power cord is never crimped or damaged. Check the device and the power cord from time to time.
- Make sure that the signals into the mixer are balanced, otherwise hum could be created.
- Make sure that there is sufficient room on all sides of the system for air circulation.
- Make sure you do not use the wrong kind of cables or defective cables.
- Make sure you use DI boxes to balance unbalanced signals; All incoming signals should be clear.
- Never let the power cord come into contact with other cables! Handle the power cord and all connections with the mains with particular caution!
- Never remove warning or informative labels from the unit.
- Never modify, bend, mechanically strain, put pressure on, pull or heat up the power cord.
- Never use anything to cover the ground contact.
- Never use the device during thunderstorms, unplug the device immediately.
- Only use device indoors, avoid contact with water or other liquids.
- Prevent distortion! Make sure that all components connected to the EVO have sufficient power ratings. Otherwise distortion will be generated because the components are operated at their limits.
- Repairs, servicing and electric connection must be carried out by a qualified technician.
- The best way (even if not always feasible) to avoid ground loops is to connect the electric ground of all the equipment to a single central point ("star" system). In this case, the central point can be the mixer.
- To avoid or solve hum and buzzing troubles, try different combinations of lifting grounds on units that are supplied with ground lift switches or make sure all chassis are connected to earth ground, either through the A.C. power cord ground or by the front panel rack mount screws.
- To emphasize a frequency range, you do not necessarily have to move its respective slider upwards; instead, try lowering surrounding frequency ranges. This way, you avoid causing the next piece of equipment in your sound path to overdrive. You also preserve valuable dynamic reserve ("headroom").
- The user is responsible for correct positioning and operating of this product. The manufacturer will not accept liability for damages caused by the misuse or incorrect installation of this device.
- When connecting the other parts of your sound system, watch out for the so-called "ground loops".
- Please read this manual carefully and keep it for future reference.
- WARRANTY: Till one year after date of purchase.

## Operating Determinations

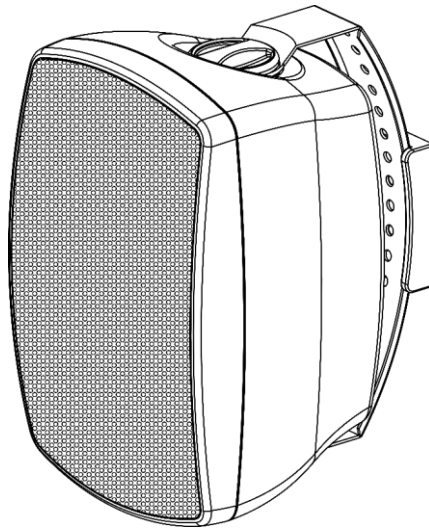
This system is not designed for permanent operation. Consistent operation breaks will ensure that the system will serve you for a long time without defects.

If this system is operated in any other way than the one described in this manual, the product may suffer damages and the warranty becomes void.

Any other operation may lead to dangers like short-circuit, burns, electric shock, etc.

*You endanger your own safety and the safety of others!*

*Improper installation can cause serious injuries and damage of property !*



The EVO 8A can be mounted to a wall or placed on a flat stage floor.

### ⚠ Return Procedure ⚠

Returned merchandise must be sent prepaid and in the original packing, call tags will not be issued. Package must be clearly labeled with a Return Authorization Number (RMA number). Products returned without an RMA number will be refused. Highlite will not accept the returned goods or any responsibility. Call Highlite 0031-455667723 or mail [aftersales@highlite.com](mailto:aftersales@highlite.com) and request an RMA prior to shipping the fixture. Be prepared to provide the model number, serial number and a brief description of the cause for the return. Be sure to properly pack fixture, any shipping damage resulting from inadequate packaging is the customer's responsibility. Highlite reserves the right to use its own discretion to repair or replace product(s). As a suggestion, proper UPS packing or double-boxing is always a safe method to use.

**Note: If you are given an RMA number, please include the following information on a piece of paper inside the box:**

- 01) Your name
- 02) Your address
- 03) Your phone number
- 04) A brief description of the symptoms

### Claims

The client has the obligation to check the delivered goods immediately upon delivery for any shortcomings and/or visible defects, or perform this check after our announcement that the goods are at their disposal. Damage incurred in shipping is the responsibility of the shipper; therefore the damage must be reported to the carrier upon receipt of merchandise.

It is the customer's responsibility to notify and submit claims with the shipper in the event that a fixture is damaged due to shipping. Transportation damage has to be reported to us within one day after receipt of the delivery.

Any return shipment has to be made post-paid at all times. Return shipments must be accompanied with a letter defining the reason for return shipment. Non-prepaid return shipments will be refused, unless otherwise agreed in writing.

Complaints against us must be made known in writing or by fax within 10 working days after receipt of the invoice. After this period complaints will not be handled anymore.

Complaints will only then be considered if the client has so far complied with all parts of the agreement, regardless of the agreement of which the obligation is resulting.

## Description of the device

### Features

- Input voltage: 230 V AC, 50 Hz
- Speaker system: Active 2-way full range
- Power consumption: 2 x 80 W
- Sensitivity W/m: 92 dB
- LF driver: 8" Woofer
- HF driver: 1" Silk Dome Tweeter
- Dispersion: 100° x 90° HxV
- Frequency response: 40 Hz – 20000 Hz (+/-3 dB)
- Connection: RCA line connector unbalanced IN, line connector balanced IN, C8 power IN, speaker connector OUT
- Mounting: 60° multi-angled bracket
- Housing: ABS
- Grill material: Steel
- IP rating: IP20
- Fuse: 5S1,5A/250V
- Dimensions: 305 x 245 x 385 mm (LxWxH)
- Weight: 7,5 kg (active speaker); 4,3 kg (passive speaker)

### Overview

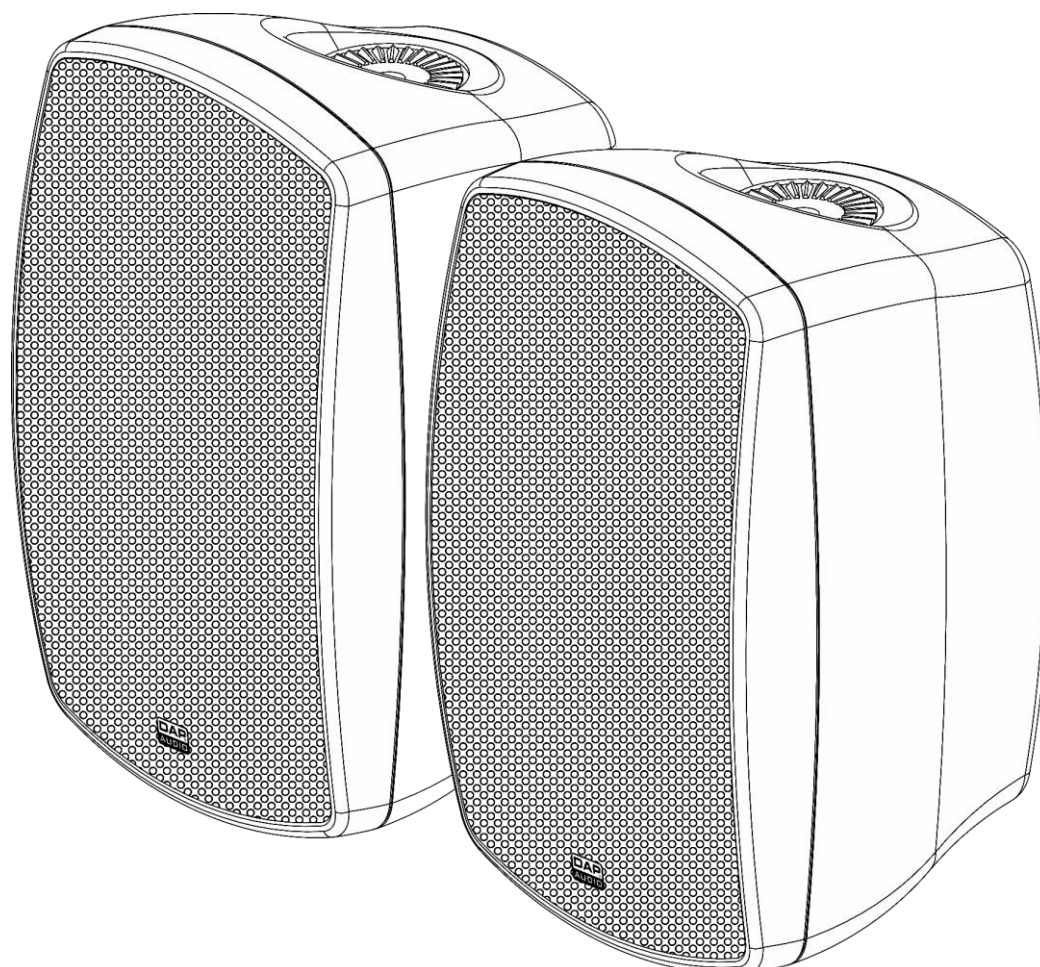


Fig. 01

Back

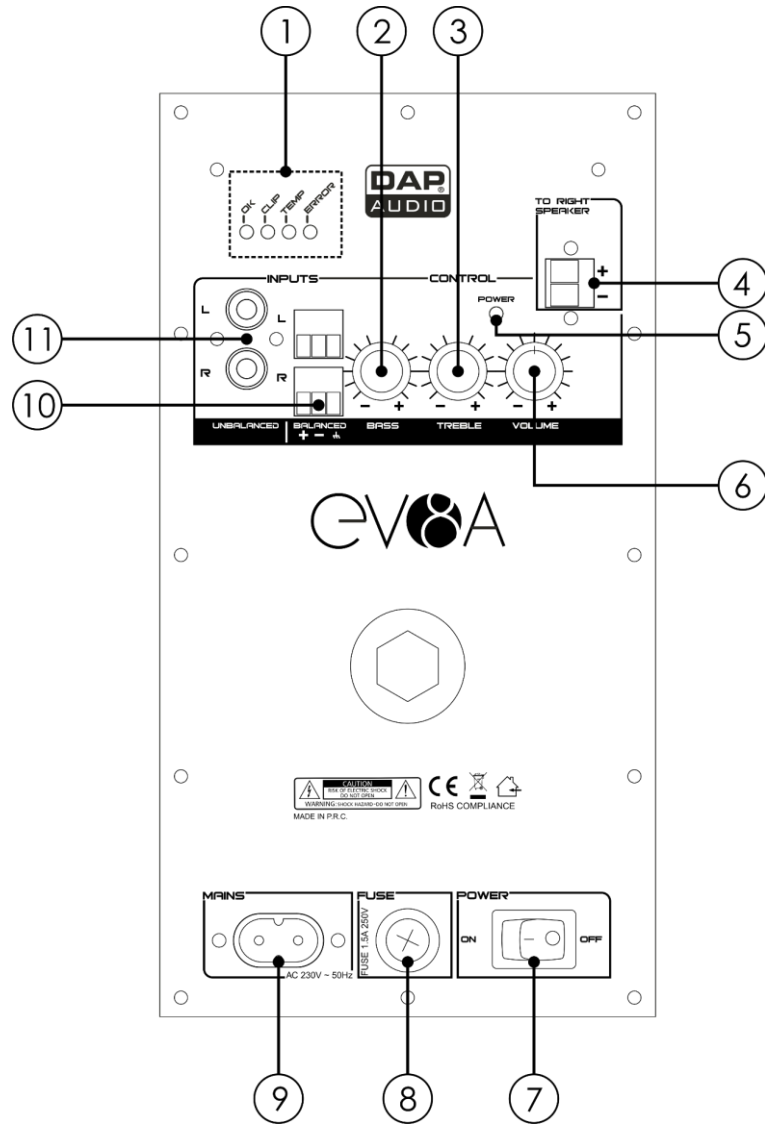


Fig. 02

- 01) LED indicators (OK/CLIP/TEMP/ERROR)
- 02) Bass control
- 03) Treble control
- 04) Speaker connector OUT
- 05) Power LED indicator
- 06) Volume control
- 07) Power switch ON/OFF
- 08) Fuse 5S1,5A/250V
- 09) 230V AC C8 power connector IN
- 10) Line connector, balanced IN
- 11) RCA line connector, unbalanced IN

## Installation

Remove all packing materials from the EVO 8A. Check that all foam and plastic padding is removed. Connect all cables.

**Always disconnect from electric mains power supply before cleaning or servicing.**  
**Damages caused by non-observance are not subject to warranty.**

## Set Up and Operation

Before plugging the unit in, always make sure that the power supply matches the product specification voltage. Do not attempt to operate a 120V specification product on 230V power, or vice versa.

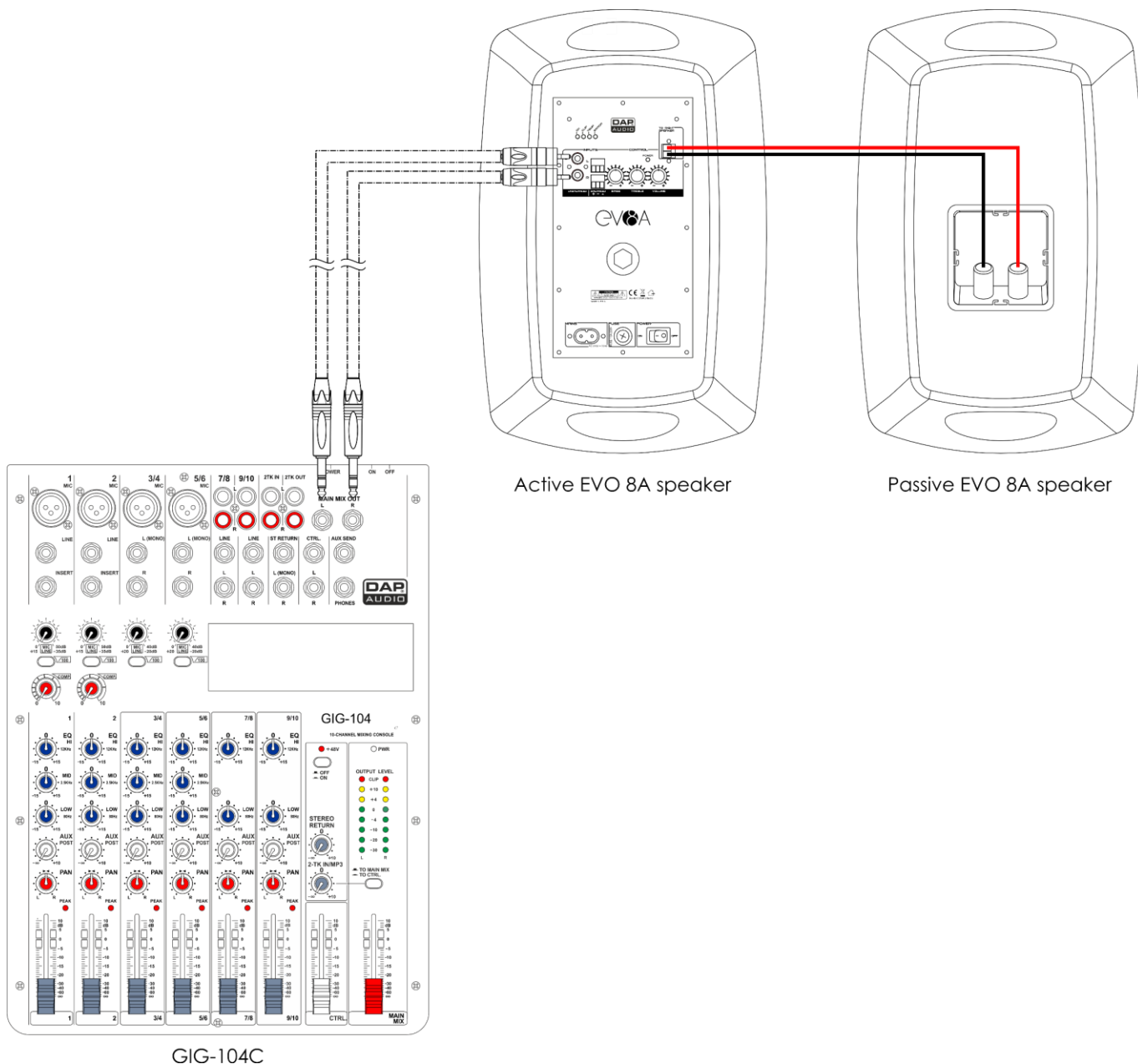


Fig. 03

- 01) Connect the active speaker to the passive speaker, by means of the included speaker cable.
- 02) Connect your mixer to the **RCA line input connector (11)** or to the **line connector (10)**.
- 03) Connect power supply to the mixer.
- 04) Connect power supply to the active speaker, using the included C8 to Schuko power cable.



## Names and Functions

---

### 01) LED indicators (OK/CLIP/TEMP/ERROR)

- OK: The EVO is operating within its safety limits.
- CLIP: It indicates distortion. In this case, decrease your source signal level until the LED turns off. Please keep in mind that the EVO cannot correct any distortion.
- TEMP: It indicates overheating. Turn the EVO off for 15 minutes and allow it to cool down. Decrease your source signal level. Make sure that the device receives adequate cooling. Turn the EVO on again and check if the problem persists.
- ERROR: It may indicate a hardware malfunction. Turn the EVO off for 15 minutes and allow it to cool down. Turn the EVO on again and check if the problem persists.

### 02) Bass control

Turn the control to adjust output's bass.

### 03) Treble control

Turn the control to adjust output's treble.

### 04) Speaker connector OUT

Connect the active EVO speaker to the passive EVO speaker, by means of the included speaker cable.

### 05) Power LED indicator

The LED will light up when the device is on.

### 06) Volume control

Turn the control to adjust output's volume.

### 07) Power switch ON/OFF

Press the button to switch the device on/off.

### 08) Fuse 5S1,5A/250V

### 09) 230V AC C8 power connector IN

This connector is meant for the connection of the supplied power cable. Connect one end of the power cable to the connector, the other end to the mains. Flick the power switch to operate the device.

### 10) Line connector, balanced IN

Connect input signal (for example, from a mixer) to the speaker, by means of a speaker cable.

### 11) RCA line connector, unbalanced IN

Connect input signal (for example, from a mixer) to the speaker, by means of an RCA cable.

## Maintenance

---

The DAP Audio EVO 8A requires almost no maintenance. However, you should keep the unit clean. Disconnect the mains power supply, and then wipe the cover with a damp cloth. Do not immerse in liquid. Do not use alcohol or solvents.

Keep connections clean. Disconnect electric power, and then wipe the audio connections with a damp cloth. Make sure connections are thoroughly dry before linking equipment or supplying electric power.

### Replacing the Fuse

Power surges, short-circuit or inappropriate electrical power supply may cause a fuse to burn out. If the fuse burns out, the product will not function whatsoever. If this happens, follow the directions below.

- 01) Unplug the unit from electric power source.
- 02) Insert a screwdriver into the fuse holder. Turn the fuse holder counterclockwise. The fuse holder will come out.
- 03) Remove the used fuse. If brown or unclear, it is burned out.
- 04) Insert the replacement fuse into the holder where the old fuse was. Reinsert the fuse holder. Be sure to use a fuse of the same type and specification. See the product specification label for details.

## Troubleshooting

### No Sound

Always check if all the cables and cords are connected. Always turn off power to the area before checking the wires, to prevent electric shock.

If everything works properly and there is still no sound, revisit the manufacturer's instructions to make sure they were followed during installation. If everything was installed correctly and there is still no sound, you may want to consider bringing in a professional to take a look at your speaker.

If the speakers do not operate properly, refer servicing to a technician.

Suspect three potential problem areas as: the power supply, the speakers, the fuse.

01) Power supply. Check if the unit is plugged into an appropriate power supply.

02) The speakers. Return the EVO 8A to your DAP Audio dealer.

03) The fuse. Replace the fuse. See page 8 for replacing the fuse.

04) If all appears to be O.K., plug the unit in again.

05) If you are unable to determine the cause of the problem, do not open the EVO 8A, as this may damage the unit and the warranty will become void.

06) Return the device to your DAP Audio dealer.

### Sound Warping

If the sound coming out of your speaker is loud enough, but seems to be warped or distorted, your treble or bass levels may need to be adjusted.

If there are not many pieces of furniture in the room and the floor has no carpet or rug, then you will most likely have to turn your treble down. With very little in the room to absorb the sound, too much treble can make the sound bounce off fixtures in the room, making it sound tinny.

With the bass, if the speaker is too close to a wall and is not aimed properly, then you will need to turn the bass down, to stop the low tones from bouncing off the walls or large pieces of furniture.

## Product Specifications

Input voltage:	230 V AC, 50 Hz
Power consumption:	2 x 80 W
Speaker system:	Active 2-way full range
Sensitivity W/m:	92 dB
LF driver:	8" Woofer
HF Driver:	1" Silk Dome Tweeter
Dispersion:	100° x 90° HxV
Frequency response:	40 Hz – 20000 Hz (+/-3 dB)
Connection:	RCA line connector unbalanced IN, line connector balanced IN, C8 power IN, speaker connector OUT
Mounting:	60° multi-angled bracket
Housing:	ABS
Grill material:	Steel
IP rating:	IP20
Fuse:	5S1,5A/250V
Dimensions:	305 x 245 x 385 mm (LxWxH)
Weight:	7,5 kg (active speaker); 4,3 kg (passive speaker)

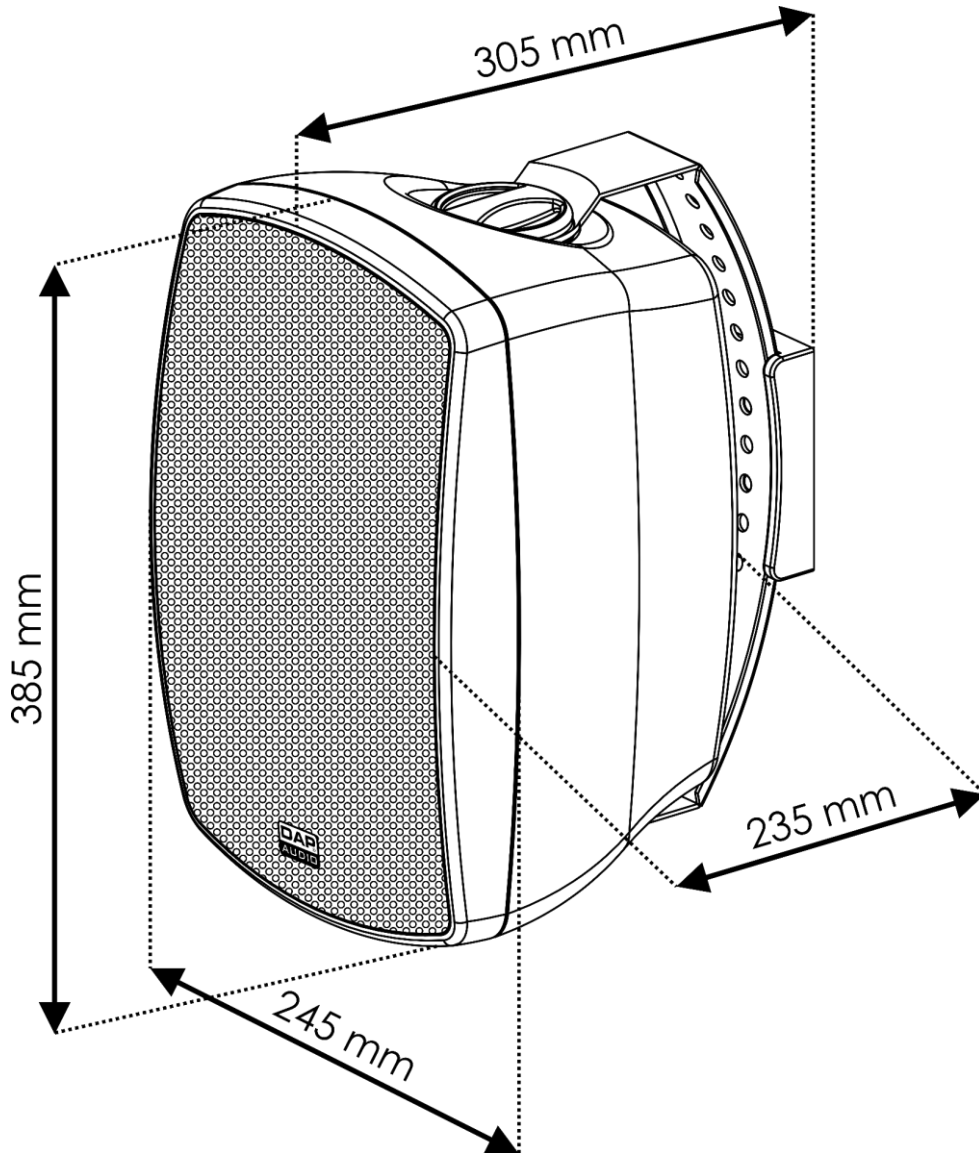
Design and product specifications are subject to change without prior notice.



Website: [www.Dap-audio.info](http://www.Dap-audio.info)

Email: [service@highlite.com](mailto:service@highlite.com)

Dimensions





©2019 DAP Audio