

ENGLISH

ADI-200

V1

Ordercode: D1943

Warning



CAUTION!

**Keep this device away from rain and moisture!
Unplug mains lead before opening the housing!**



Every person involved with the installation, operation and maintenance of this system has to:

- be qualified
- follow the instructions of this manual



Return Procedure



Returned merchandise must be sent prepaid and in the original packing, call tags will not be issued. Package must be clearly labeled with a Return Authorization Number (RMA number). Products returned without an RMA number will be refused. Highlite will not accept the returned goods or any responsibility. Call Highlite 0031-455667723 or mail offersales@highlite.nl and request an RMA prior to shipping the fixture. Be prepared to provide the model number, serial number and a brief description of the cause for the return. Be sure to properly pack fixture, any shipping damage resulting from inadequate packaging is the customer's responsibility. Highlite reserves the right to use its own discretion to repair or replace product(s). As a suggestion, proper UPS packing or double-boxing is always a safe method to use.

Note: If you are given an RMA number, please include the following information on a piece of paper inside the box:

- 01) Your name
- 02) Your address
- 03) Your phone number
- 04) A brief description of the symptoms

Claims

The client has the obligation to check the delivered goods immediately upon delivery for any shortcomings and/or visible defects, or perform this check after our announcement that the goods are at their disposal. Damage incurred in shipping is the responsibility of the shipper; therefore the damage must be reported to the carrier upon receipt of merchandise.

It is the customer's responsibility to notify and submit claims with the shipper in the event that a device is damaged due to shipping. Transportation damage has to be reported to us within one day after receipt of the delivery.

Any return shipment has to be made post-paid at all times. Return shipments must be accompanied with a letter defining the reason for return shipment. Non-prepaid return shipments will be refused, unless otherwise agreed in writing.

Complaints against us must be made known in writing or by fax within 10 working days after receipt of the invoice. After this period complaints will not be handled anymore.

Complaints will only then be considered if the client has so far complied with all parts of the agreement, regardless of the agreement of which the obligation is resulting.

Description of the device

Features

The ADI-200 active direct box will help you with instruments that have a low level and high impedance output. It will convert the output to a more suitable signal without interfering or modifying the signal. With this box your signal can be driven up to long cable lengths without any problems.

- Roadproof housing with rubber feet
- Compact size
- Low distortion
- Ground/earth lift switch
- Attenuation switch (0dB, -20dB)
- Unbalanced 6,3 mm Jack input
- Unbalanced 3-pin XLR input
- Unbalanced 6,3 mm Jack link connection
- Balanced 3-pin XLR output
- Dimensions: 135 x 145 x 55 mm (LxWxH)
- Weight: 0,65 kg
- 9 V battery or 18-48 V DC (phantom)

Overview

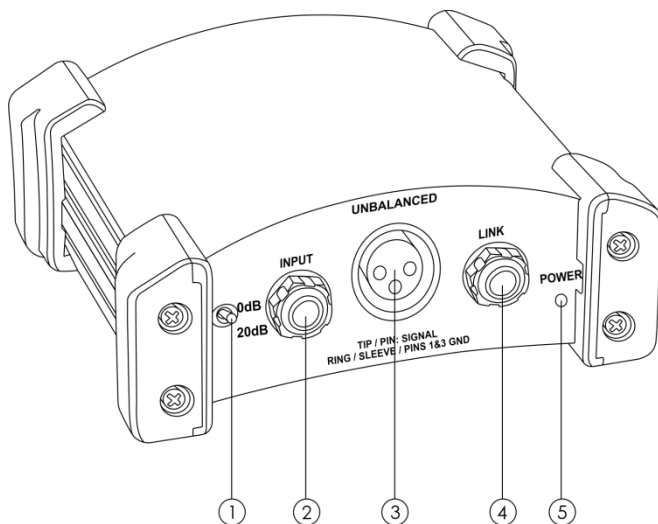


Fig. 01

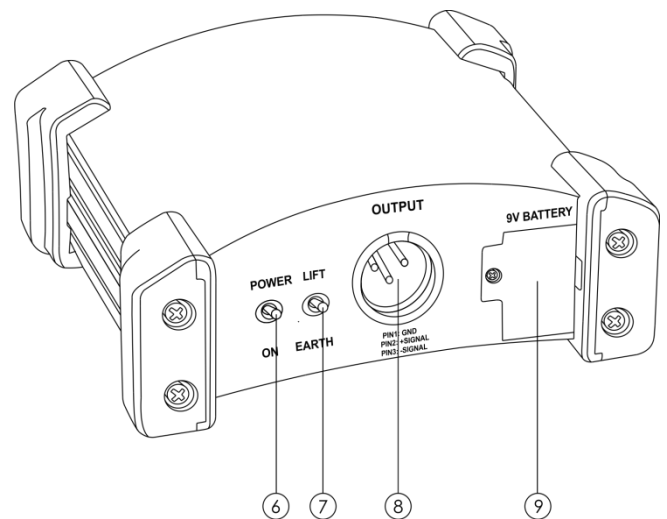


Fig. 02

- ① 20 dB attenuation switch
- ② Unbalanced 6,3 mm Jack input
- ③ Unbalanced 3-pin XLR input
- ④ Unbalanced 6,3 mm Jack link output
- ⑤ Power LED
- ⑥ Power On/Off switch
- ⑦ Ground/earth lift switch
- ⑧ Balanced 3-pin XLR output
- ⑨ 9 V battery cover

01) 20 dB attenuation switch

Allows you to attenuate with:
0 dB for guitar type pickups.
-20 dB for line level signals.

02) Unbalanced 6,3 mm Jack input

Connect this input to the output of your source device.

03) Unbalanced 3-pin XLR input

Connect this input to the output of your source device.

04) Unbalanced 6,3 mm Jack link output

The link output is wired in parallel with the input, and can be used for connecting a speaker if the ADI-200 output is connected to an amplifier input.

05) Power LED

Lights when the power switch is switched on.

06) Power On/Off switch

With this switch the power can be switched on or off.

07) Ground/earth lift switch

Allows you to remove the internal connection to the output pin 1, isolating the ADI-200 grounding system from that of the rest of the system.

08) Balanced 3-pin XLR output

Connect this output to the input channel of your destination device.

09) 9 V battery cover

Allows you to insert a 9 V battery. The cover can be opened by turning the screw counterclockwise.

Applications

01) Guitar pick-up feed

The low level, high impedance signal of the guitar pickup is transformed by the ADI-200 into a high level, low impedance balanced signal required by the front of house mixer.

Suggested attenuator setting: 0 dB.

02) Keyboards line level feed

The unbalanced line level output of a keyboard can be balanced and matched by the ADI-200. In multiple keyboard setups where a mixer/ amp is used for monitoring, the ADI-200 can be used to save on separate direct boxes for each keyboard. In this case, either a line output or a speaker output can be used to feed the direct box, depending on the mixer/amp.

Suggested attenuator setting: : 0 dB (line level) or -20dB (amp level).

03) DJ-console feed

Interfacing additional equipment such as DJ mixers with the house console and PA may cause level and connector difficulties. Connect the DJ mixer to the jack input of the ADI-200 and then the ADI-200 output XLR to the house console.

Suggested attenuator setting: 0 dB or -20dB.

Specifications

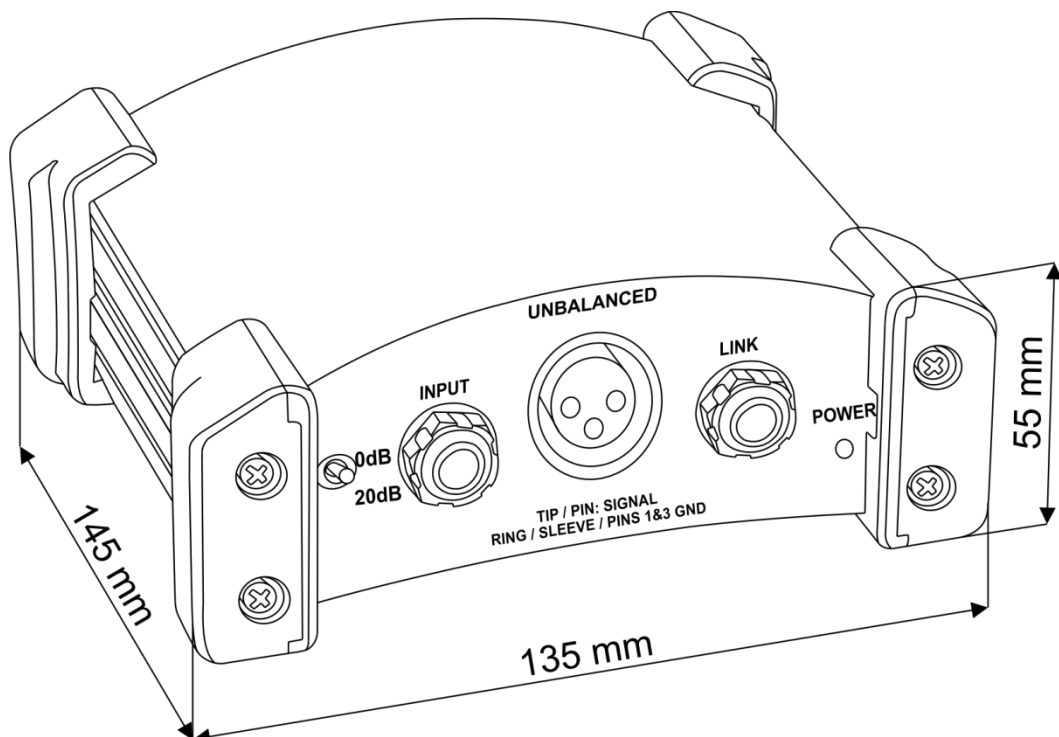
Frequency response:	10 Hz-40.000 Hz
Noise level:	< -105 dB
Distortion (THD):	< 0,005% at 400 Hz
Input:	Unbalanced 6,3 mm Jack
Input:	Unbalanced 3-pin XLR input
Link connection:	Unbalanced 6,3 mm Jack
Output:	Balanced 3-pin XLR
Input impedance:	250.000 Ω
Output impedance:	600 Ω
Ground/earth lift:	ground/earth lift switch
Attenuation settings:	0dB, -20dB
Power supply:	9 V Battery or 18-48 V DC (phantom)
Housing:	Roadproof with rubber feet
Dimensions:	135 x 145 x 55 mm (LxWxH)
Weight:	0,65 kg

Design and product specifications are subject to change without prior notice.



Website: www.Dap-audio.info
Email: service@highlite.nl

Dimensions





©2015 DAP Audio