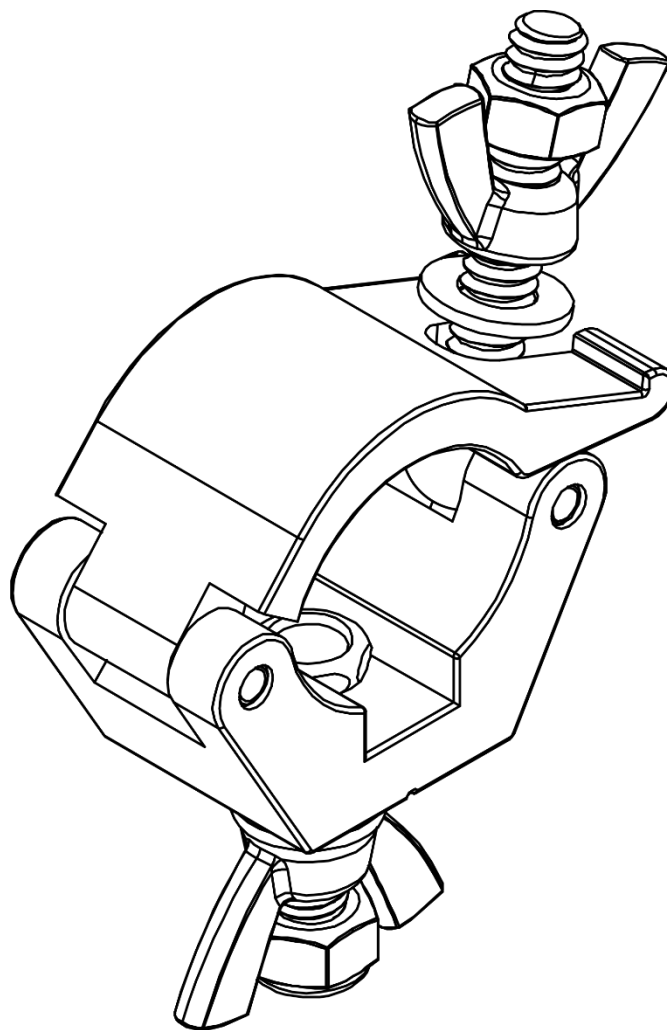




MANUAL



ENGLISH

32 mm Compact Half Coupler V1

Ordercode: 75000S/75000B

Table of contents

Warning2
Safety Instructions2
Operating Determinations3
Rigging3
Return Procedure4
Claims4

Description of the device5
Overview5

Installation6

Set Up and Operation6
Inspection Before First Use6
Installing the 32 mm Compact Half Coupler6
Warnings7

Maintenance8
Inspection & Maintenance Intervals8
Regular Inspections8

Product Specifications9

Notes10

Warning



**For your own safety, please read this user manual carefully
before your initial start-up!**

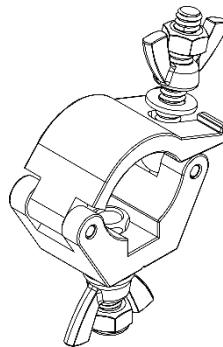


Unpacking Instructions

Immediately upon receiving this product, carefully unpack the carton and check the contents to ensure that all parts are present, and have been received in good condition. Notify the dealer immediately and retain packing material for inspection if any parts appear damaged from shipping or the carton itself shows signs of mishandling. Save the carton and all packing materials. In the event that a fixture must be returned to the factory, it is important that the fixture be returned in the original factory box and packing.

Your shipment includes:

- Showtec 32 mm Compact Half Coupler
- User manual



Safety Instructions

Every person involved with the installation, operation and maintenance of this device has to:

- be qualified
- follow the instructions of this manual

Before use, please make sure that there is no damage caused by transportation. Should there be any, consult your dealer and do not use the device.

To maintain perfect condition and to ensure a safe operation, it is absolutely necessary for the user to follow the safety instructions and warning notes written in this manual.

Please consider that damages caused by manual modifications to the device are not subject to warranty.

This device contains no user-serviceable parts. Refer servicing to qualified technicians only.

IMPORTANT:

The manufacturer will not accept liability for any resulting damages caused by the non-observance of this manual or any unauthorized modification to the device.

- Never remove warning or informative labels from the unit.
- Never use or continue to work with a damaged or defective coupler.
- Never use the coupler for loads that exceed the maximums provided in this manual (SWL: 50 kg).
- Carefully inspect the coupler before use.
- Do not shake the device. Avoid brute force when installing or operating the device.
- Always pay attention to local regulations, with respect to occupational health, safety and general rules for safe working.
- Always check the national standards and regulations of the country where the coupler is used.
- All couplers should be visually inspected before use. In the event of any damage, the coupler should be taken out of service and returned to an approved Showtec dealer for inspection.
- Avoid contact with water or other liquids.
- Only operate the device after having familiarized with its functions.

- Only move a load, after having made sure that the load is safely and correctly attached and that there are no persons within the immediate vicinity of the hoist and/or the load.
- Only use the coupler within the designed tube parameters (32 mm).
- Avoid flames and do not put close to flammable liquids or gases.
- Make sure that the device is not exposed to extreme heat, moisture or dust.
- If device was dropped or struck, discontinue the use of the device. Have a qualified engineer inspect for safety before operating.
- If your Showtec device fails to work properly, discontinue the use immediately. Pack the unit securely (preferably in the original packing material), and return it to your Showtec dealer for service.
- It is not recommended to use couplers which do not fully encompass the tube for overhanging.
- For adult use only. The device must be installed beyond the reach of children.
- For semi-permanent installation applications, check integrity of welds, joints and coupler's tightness weekly.
- The user is responsible for correct positioning and operating of the coupler. The manufacturer will not accept liability for damages caused by the misuse or incorrect installation of this device.
- Applications that are not described in this manual, are not allowed.
- Installation, repairs and servicing must be carried out by a qualified technician.
- WARRANTY: Till one year after date of purchase.

Operating Determinations

- This device is not designed for permanent operation. Consistent operation breaks will ensure that the device will serve you for a long time without defects.
- If this device is operated in any other way than the one described in this manual, the product may suffer damages and the warranty becomes void.
- Any other operation may lead to serious damage and/or severe injuries.

You endanger your own safety and the safety of others!

Not permitted use

List of applications which the 32 mm Compact Half Coupler is not allowed to be used for.

Please note, that when an application is not included in this list, it does not mean that the use of the 32 mm Compact Half Coupler is allowed. When in doubt, consult your Showtec dealer.

- The use of lifting equipment for the transport of people is not permitted.
- The "pulling loose" of jammed loads is prohibited.
- Welding on the coupler is prohibited.
- The hoisting or transporting of loads should be avoided, if there is anybody within the range of the load.
- It is prohibited to stay under a suspended load.
- Loads should not be prolonged or unattended in a raised position.
- The use of the couplers in a potentially explosive atmosphere is prohibited.
- The coupler is not designed for continuous use.
- Do not drop the coupler; the coupler should always be properly stored.
- A defective or damaged coupler must not be used.

Rigging

Please follow the European and national guidelines concerning rigging, trussing and all other safety issues.

Do not attempt the installation yourself!

Always have the inspections carried out by an authorized dealer!



Return Procedure

Returned merchandise must be sent prepaid and in the original packing, call tags will not be issued. Package must be clearly labeled with a Return Authorization Number (RMA number). Products returned without an RMA number will be refused. Highlite will not accept the returned goods or any responsibility. Call Highlite 0031-455667723 or mail offersales@highlite.nl and request an RMA prior to shipping the fixture. Be prepared to provide the model number, serial number and a brief description of the cause for the return. Be sure to properly pack fixture, any shipping damage resulting from inadequate packaging is the customer's responsibility. Highlite reserves the right to use its own discretion to repair or replace product(s). As a suggestion, proper UPS packing or double-boxing is always a safe method to use.

Note: If you are given an RMA number, please include the following information on a piece of paper inside the box:

- 01) Your name
- 02) Your address
- 03) Your phone number
- 04) A brief description of the symptoms

Claims

The client has the obligation to check the delivered goods immediately upon delivery for any shortcomings and/or visible defects, or perform this check after our announcement that the goods are at their disposal. Damage incurred in shipping is the responsibility of the shipper; therefore the damage must be reported to the carrier upon receipt of merchandise.

It is the customer's responsibility to notify and submit claims with the shipper in the event that a fixture is damaged due to shipping. Transportation damage has to be reported to us within one day after receipt of the delivery.

Any return shipment has to be made post-paid at all times. Return shipments must be accompanied with a letter defining the reason for return shipment. Non-prepaid return shipments will be refused, unless otherwise agreed in writing.

Complaints against us must be made known in writing or by fax within 10 working days after receipt of the invoice. After this period complaints will not be handled anymore.

Complaints will only then be considered if the client has so far complied with all parts of the agreement, regardless of the agreement of which the obligation is resulting.

Description of the device

Features

The 32 mm Compact Half Coupler has a slotted base, suitable for M8 nuts.

- Maximum load capacity (SWL): 50 kg
- Fixing: M8 bolt
- Tube diameter: 32 mm
- Material: Aluminum extrusion
- Color: Silver (75000S), Black (75000B)

Overview

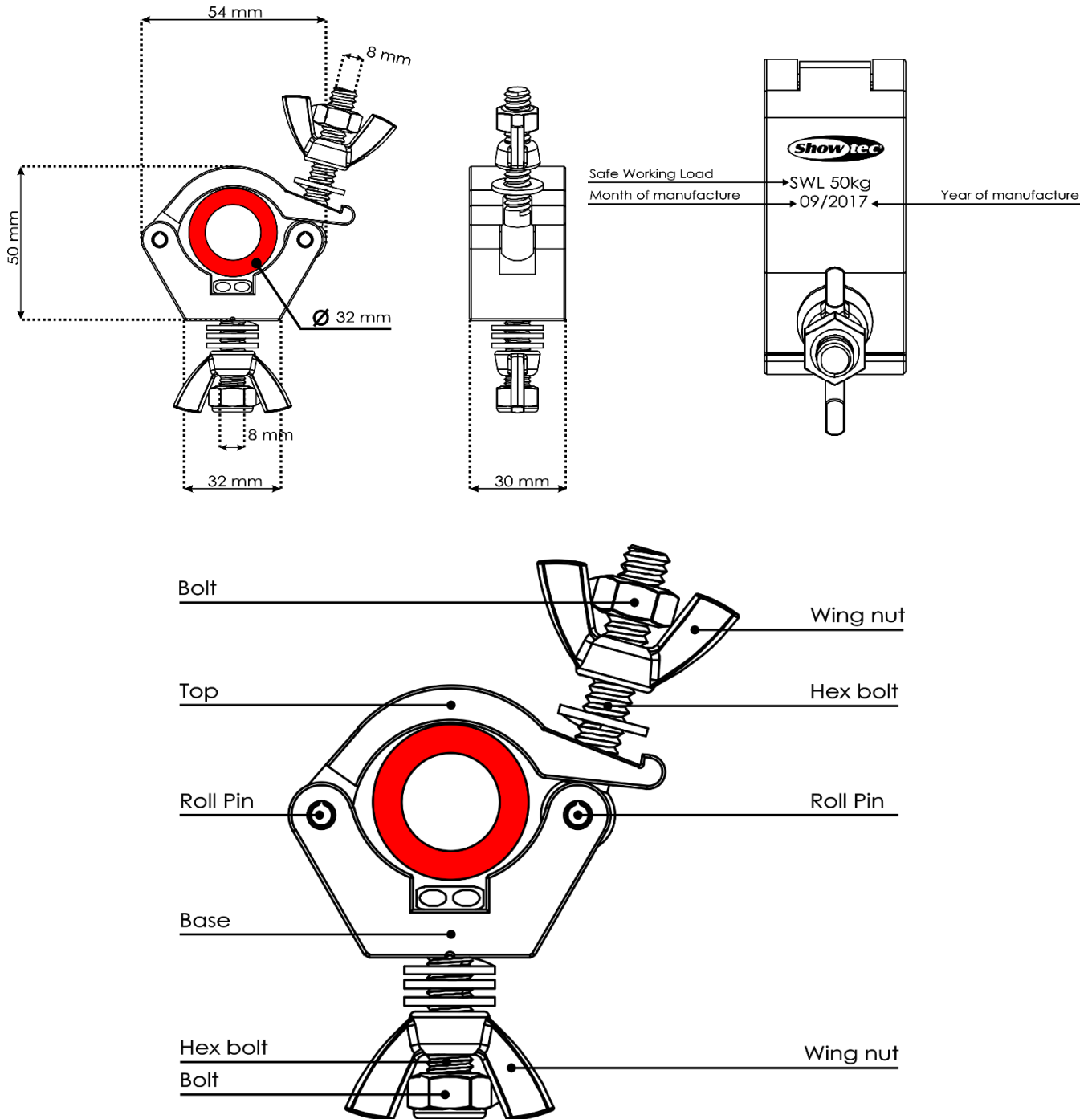


Fig. 01

Installation

Remove all packing materials from the 32 mm Compact Half Coupler. Check if all foam and plastic padding is removed. **Damages caused by non-observance are not subject to warranty.**

Set Up and Operation

Follow the directions below, as they pertain to your preferred operation mode.

Inspection Before First Use

Before the first use of the 32 mm Compact Half Coupler, it needs to be inspected by a competent person, in order to rule out any damage sustained during transport or storage. This should happen at least once a year.

When installing the 32 mm Compact Half Coupler, the user must make sure that the 32 mm Compact Half Coupler is operated in a safe way. The strength and suitability of the suspension point should be checked in advance.



CAUTION
Before installation, operators must be instructed and fully understand the safe use of the equipment.



Before each use, the 32 mm Compact Half Coupler has to be inspected on the following points:

- Overall operation of the 32 mm Compact Half Coupler itself
- Mounting of the 32 mm Compact Half Coupler onto the structure
- Make sure that the 32 mm Compact Half Coupler shows no trace of visual defects

Installing the 32 mm Compact Half Coupler

- 01) Loosen the 32 mm Compact Half Coupler by turning the spindle counterclockwise.
- 02) Open the 32 mm Compact Half Coupler.
- 03) Attach the load onto the 32 mm Compact Half Coupler.
- 04) Place the coupler with the load upon the tube. When used with other accessories, make sure that the maximum SWL of any component is not exceeded.
- 05) Close and manually tighten the 32 mm Compact Half Coupler by turning the spindle clockwise.
Do not exceed the recommended tightening torque: 30 Nm (22lb-ft).
- 06) Make sure that the 32 mm Compact Half Coupler entirely encompasses the tube.
- 07) It is not recommended to use couplers which do not entirely encompass the tube for overhanging.
All open clamps should be used in a vertical orientation only.

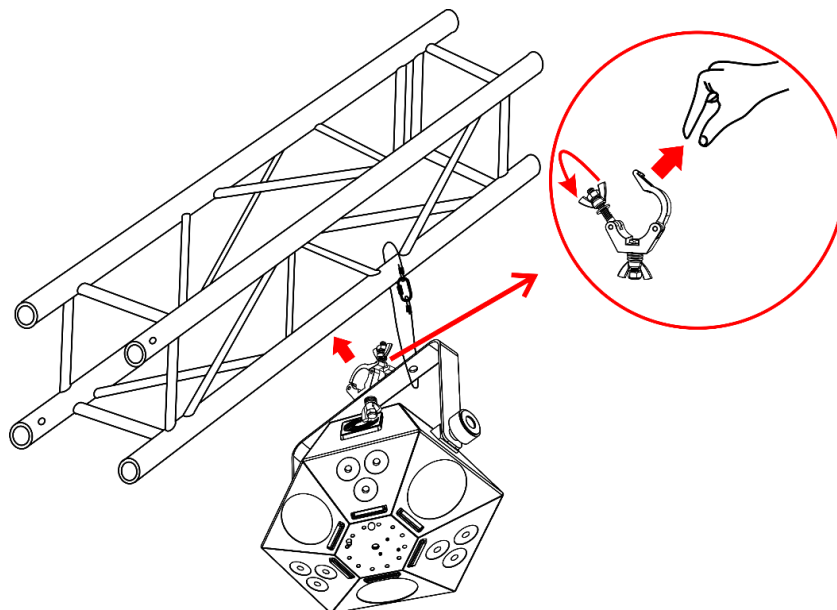


Fig.02

Warnings

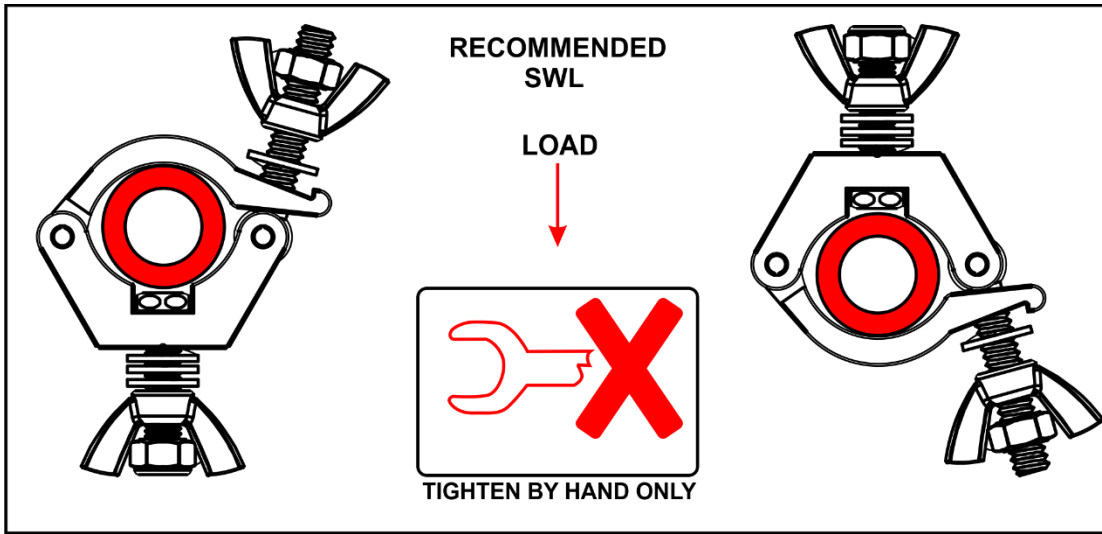


Fig. 03

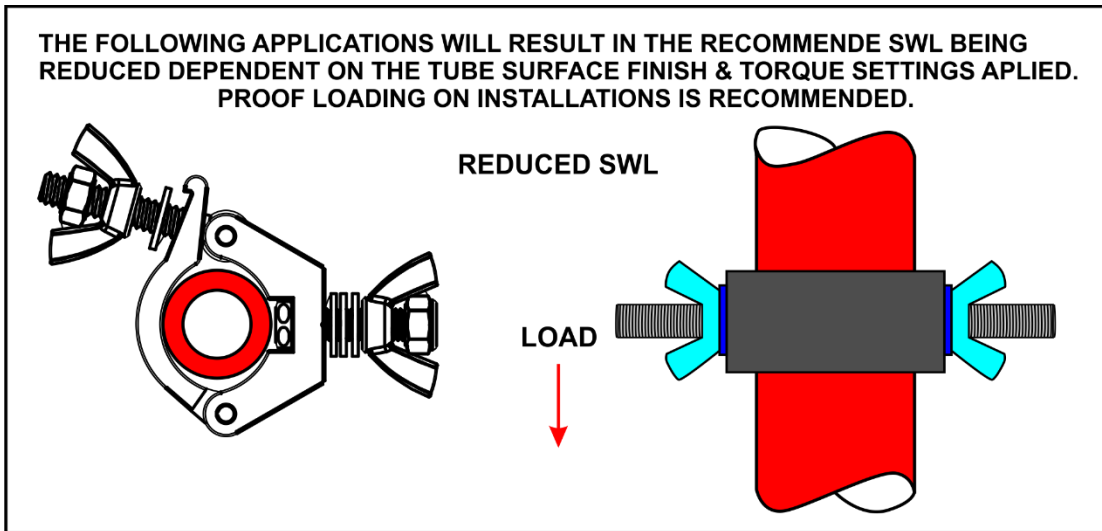


Fig. 04



CAUTION

This product is not intended to be used as fall protection!



CAUTION

The maximum load capacity for the 32 mm Compact Half Coupler is 50 kg. Do not exceed this rating.



CAUTION

Do not use the 32 mm Compact Half Coupler to lift people or to lift loads above people!



Maintenance

The operator has to make sure that safety-related and machine-technical installations are to be inspected by an expert after every year in the course of an acceptance test.

The operator has to make sure that safety-related and machine-technical installations are to be inspected by a skilled person once a year **and more frequently if used intensively**.

The following points have to be considered during the inspection:

- 01) All screws used for installing the device or parts of the device have to be tightly connected and must not be corroded.
- 02) There may not be any deformations on housings, fixations and installation spots.
- 03) Mechanically moving parts like axles, eyes and others may not show any traces of wearing.

The 32 mm Compact Half Coupler requires almost no maintenance. However, you should keep the coupler clean. Wipe with a damp cloth. Do not immerse in liquid. Do not use alcohol or solvents.

- All inspections and any actions taken, must be documented in writing.
- After using the coupler, any dirt needs to be removed.
- Always store the coupler in a dry environment, to prevent corrosion.
- Repairs may only be carried out by experts that are authorized in writing by Highlite International.
- In case that repairs or modifications are carried out by unauthorized personnel, the warranty and product liability will become void. Only use original parts for repairs.

Inspection & Maintenance Intervals

The following inspection and maintenance intervals apply for normal use. In case of use in harsh environment, such as regular deployment at full load or use in a hot / dusty or otherwise aggressive environment, the indicated intervals should be shortened.

	When commissioning	Daily inspection	1 st maintenance after 3 months	Inspection / maintenance annually
Check screw / bolt connections	X	X	X	X
Check spindle mechanism for proper functioning	X	X	X	X
Check for any deformations	X	X	X	X
Check and lubricate spindle mechanism				X
Regular inspection by an expert				X

Regular Inspections

Regardless of national rules in the country of use, the 32 mm Compact Half Coupler has to be inspected by an expert, at least once a year.

- In case of heavy/frequent usage, the inspection and maintenance intervals need to be more regular.
- Check the Half Coupler carefully, to make sure that there are no unusual noises that could indicate faults or excessive wear.
- Make sure all bolts and nuts are tight and check presence and legibility of the type plate.

Product Specifications

Model:	Showtec 32 mm Compact Half Coupler 50kg
Tube diameter:	32 mm
Material:	Aluminum extrusion
Color:	Silver (75000S), Black (75000B)
Operation:	
Maximum load capacity (SWL):	50 kg
Fixing:	M8 bolt

Design and product specifications are subject to change without prior notice.



Website: www.Showtec.info
Email: service@highlite.nl



©2017 Showtec