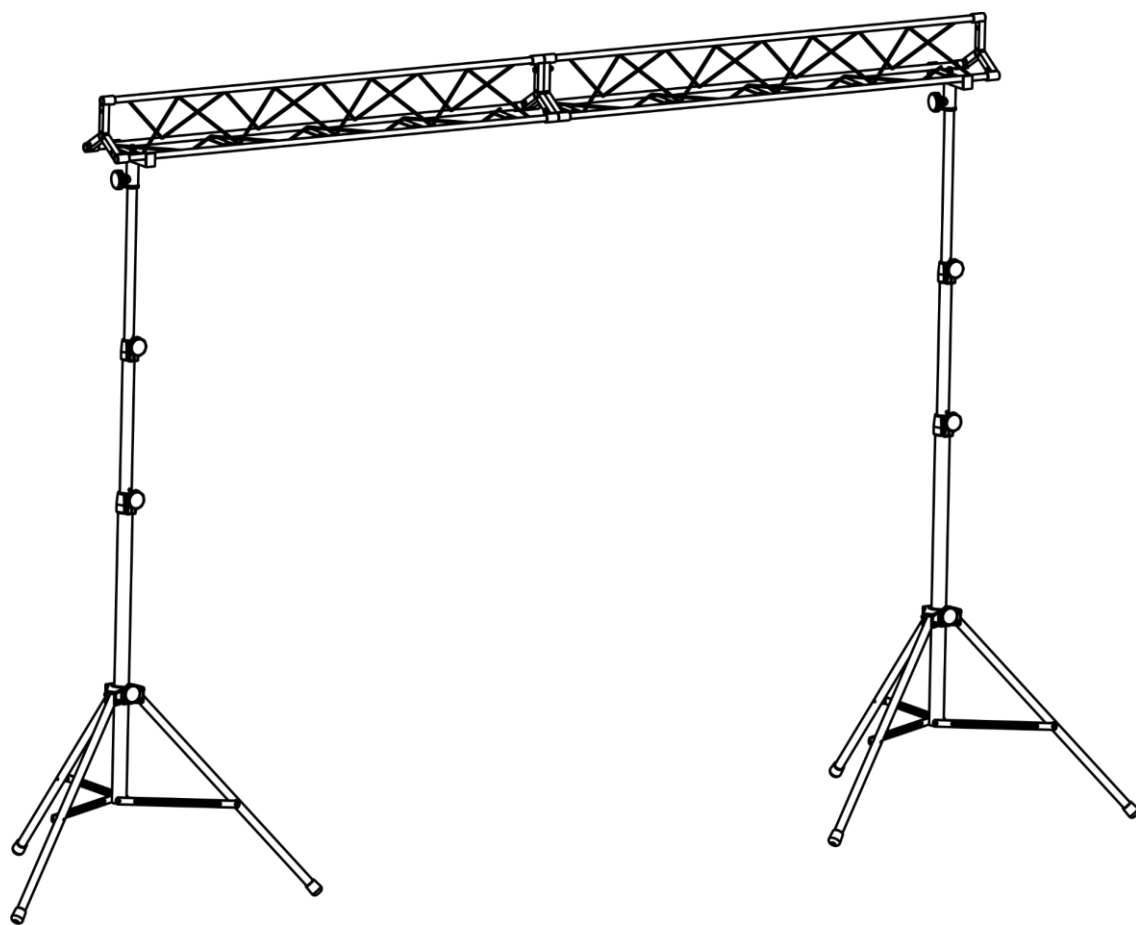




MANUAL



ENGLISH

Light Bridge Set

V1

Ordercode: 70930

Table of contents

Warning2
Safety Instructions2
Operating Determinations3
Rigging3
Return Procedure4
Claims.....4

Description of the device.....5
Overview5

Installation.....6
Accessories6

Set Up and Operation7

Maintenance9

Product Specifications9

Dimensions.....10

Warning



**For your own safety, please read this user manual carefully
before your initial start-up!**

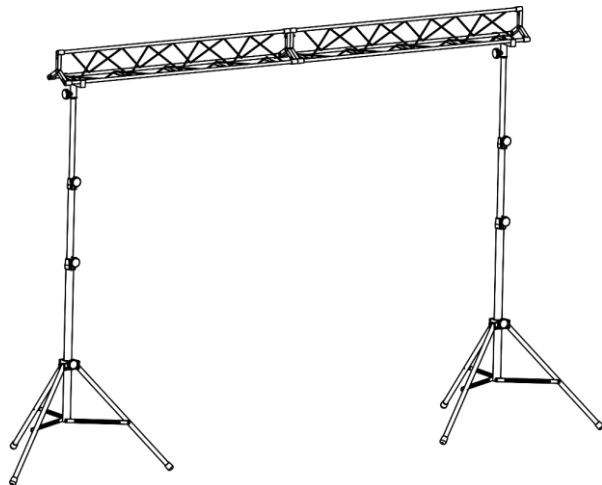


Unpacking Instructions

Immediately upon receiving this product, carefully unpack the carton and check the contents to ensure that all parts are present, and have been received in good condition. Notify the dealer immediately and retain packing material for inspection if any parts appear to be damaged from shipping or the carton itself shows signs of mishandling. Save the carton and all packing materials. In the event that the fixture must be returned to the factory, it is important that the fixture be returned in the original factory box and packing.

Your shipment includes:

- Showtec Light Bridge Set
- User manual



Safety Instructions

Every person involved with the installation, operation and maintenance of this device has to:

- be qualified
- follow the instructions of this manual

Before your initial start-up, please make sure that there is no damage caused by transportation. Should there be any, consult your dealer and do not use the device.

To maintain perfect condition and to ensure a safe operation, it is absolutely necessary for the user to follow the safety instructions and warning notes written in this manual.

Please consider that damages caused by manual modifications to the device are not subject to warranty.

This device contains no user-serviceable parts. Refer servicing to qualified technicians only.

IMPORTANT:

The manufacturer will not accept liability for any resulting damages caused by the non-observance of this manual or any unauthorized modification to the device.

- Never exceed the maximum load capacity.
- Never remove warning or informative labels from the unit.
- Do not shake the device. Avoid brute force when installing or operating the device.
- Only use the device after having checked that all screws are tightly fastened.
- Always use an assistant or mechanical lifting equipment to safely lift and position your equipment.
- Only operate the device after having familiarized with its functions.
- Avoid flames and do not put close to flammable liquids or gases.

- Firmly tighten the screws, but do not overtighten. Overtightening can damage the device, thereby greatly reducing its holding power.
- Do not begin the installation of this product before you have read the entire manual.
- Please read this manual carefully and keep it for future reference.
- Make sure that the device is not exposed to extreme heat, moisture or dust.
- Make sure that the supporting surface will safely support the combined load of the equipment and all attached hardware and components.
- If device was dropped or struck, have a qualified engineer inspect for safety before operating.
- If your Showtec device fails to work properly, discontinue use immediately. Pack the unit securely (preferably in the original packing material), and return it to your Showtec dealer for service.
- For adult use only. Device must be installed out of reach of children.
- The user is responsible for correct positioning and operating of the Light Bridge Set. The manufacturer will not accept liability for damages caused by the misuse or incorrect installation of this device.
- Repairs and servicing must be carried out by a qualified technician.
- WARRANTY: Till one year after date of purchase.

Operating Determinations

- If this device is operated in any other way than the one described in this manual, the product may suffer damages and the warranty becomes void.

You endanger your own safety and the safety of others!

Rigging

Please follow the European and national guidelines concerning rigging, trussing and all other safety issues.

Do not attempt the installation yourself!

Always let the installation be carried out by an authorized dealer!

Procedure:

- Use clamps to mount fixtures, with mounting brackets, to the trussing system.
- Fixtures must never be fixed swinging freely in the room.
- The installation must always be secured with a safety attachment, e.g. an appropriate safety net or safety cable.
- When rigging, derigging or servicing the Light Bridge Set, always make sure that the area below the installation place is blocked and staying in the area is forbidden.

Improper installation can cause serious injuries and/or damage of property!



Return Procedure

Returned merchandise must be sent prepaid and in the original packing, call tags will not be issued. Package must be clearly labeled with a Return Authorization Number (RMA number). Products returned without an RMA number will be refused. Highlite will not accept the returned goods or any responsibility. Call Highlite 0031-455667723 or mail aftersales@highlite.com and request an RMA prior to shipping the fixture. Be prepared to provide the model number, serial number and a brief description of the cause of the return. Be sure to properly pack fixture as any shipping damage resulting from inadequate packaging is the customer's responsibility. Highlite reserves the right to use its own discretion to repair or replace product(s). As a suggestion, proper UPS packing or double-boxing is always a safe method to use.

Note: If you are given an RMA number, please include the following information on a piece of paper inside the box:

- 01) Your name.
- 02) Your address.
- 03) Your phone number.
- 04) A brief description of the symptoms.

Claims

The client has the obligation to check the delivered goods immediately upon delivery for any shortcomings and/or visible defects, or perform this check after our announcement that the goods are at their disposal. Damage incurred in shipping is the responsibility of the shipper; therefore the damage must be reported to the carrier upon receipt of merchandise.

It is the customer's responsibility to notify and submit claims with the shipper in the event that the fixture is damaged due to shipping. Transportation damage has to be reported to us within one day after receipt of the delivery.

Any return shipment has to be made post-paid at all times. Return shipments must be accompanied with a letter defining the reason for return shipment. Non-prepaid return shipments will be refused, unless agreed otherwise in writing.

Complaints against us must be made known in writing or by fax within 10 working days after receipt of the invoice. After this period, complaints will not be handled anymore.

Complaints will only be considered if the client has so far complied with all parts of the agreement, regardless of the agreement of which the obligation is resulting.

Description of the device

Features

The Showtec Light Bridge Set is a steady and compact truss set with 2 stands. The truss, consisting of 2 easy to assemble parts, has the width of 3 meters. With the maximum height of more than 3 meters, this set is perfectly suitable for mobile DJs and small setups. The set allows to attach up to 8 light fixtures. The Mammoth stands are the high-class range by Showtec. They were designed in the Netherlands and are produced in Europe, ensuring the best possible price-performance ratio. All materials were carefully chosen to ensure a long-lasting quality. Mammoth, steady by nature!

- Max. Load: 60 kg (distributed load)
- Diameter truss tube: 18 mm
- Diameter stand tube: 28 mm
- Height: 1540–3410 mm
- Width: 3000 mm
- Attachment points: 8
- Attachment screws: M6 with wingnuts
- Separation between fixtures: 300 mm
- Housing: Steel & magnesium
- Dimensions: 3000 x 1030 x 3410 mm (LxWxH)
- Weight: 21,3 kg

Overview

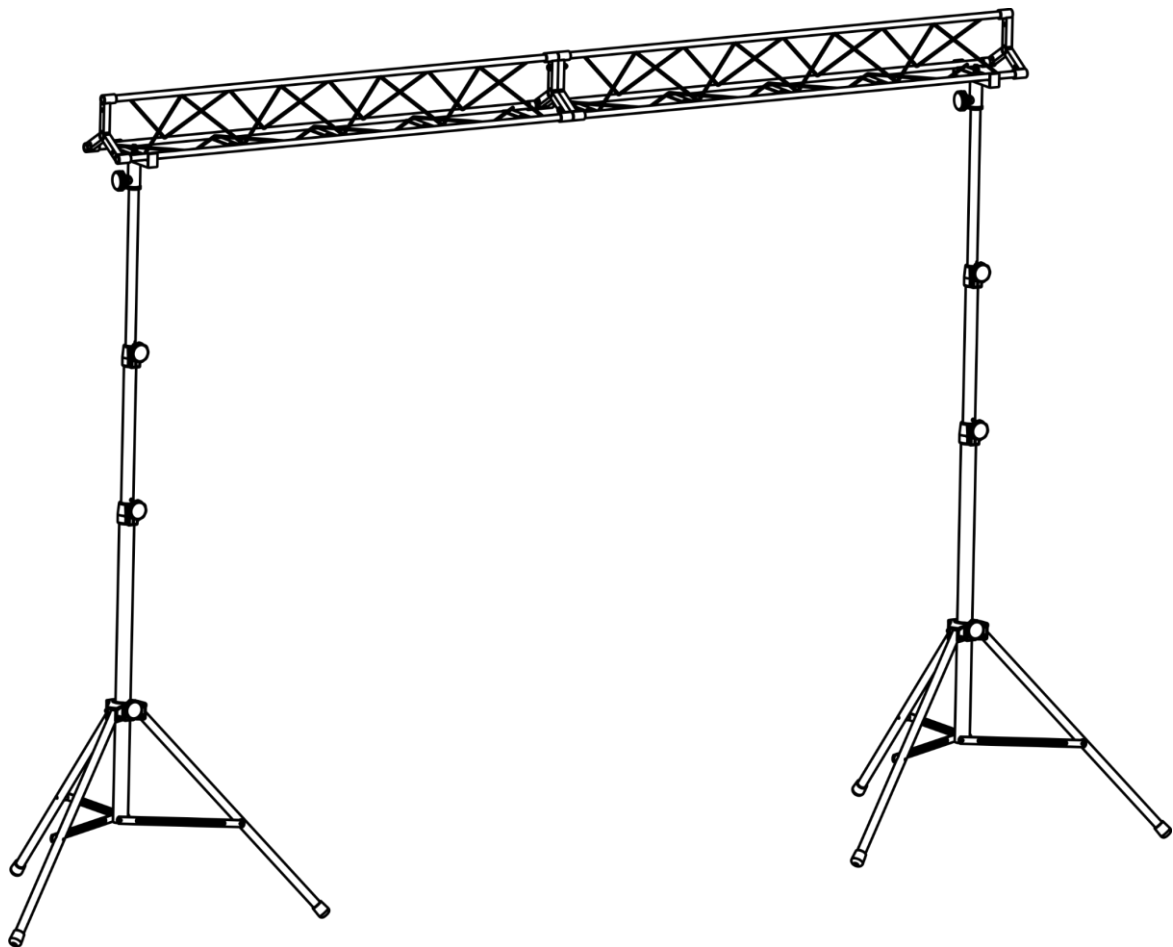


Fig. 01

Installation

Remove all packing materials from the Light Bridge Set. Check if all foam and plastic padding is removed.

Damages caused by non-observance are not subject to warranty.

Accessories

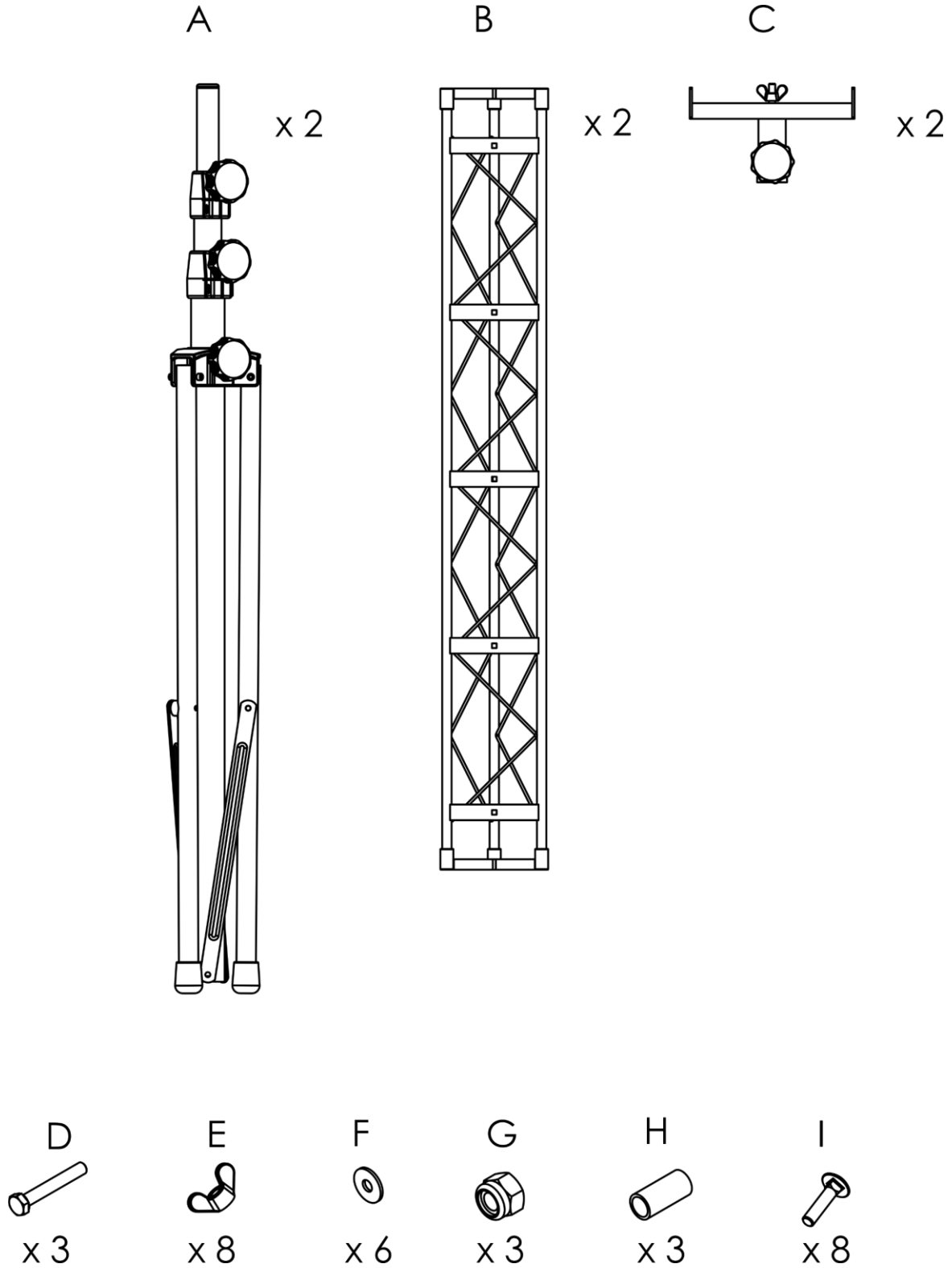


Fig. 02

Set Up and Operation

Follow the directions below, as they pertain to your preferred operation mode.

Assemble the Light Bridge Set as shown below.

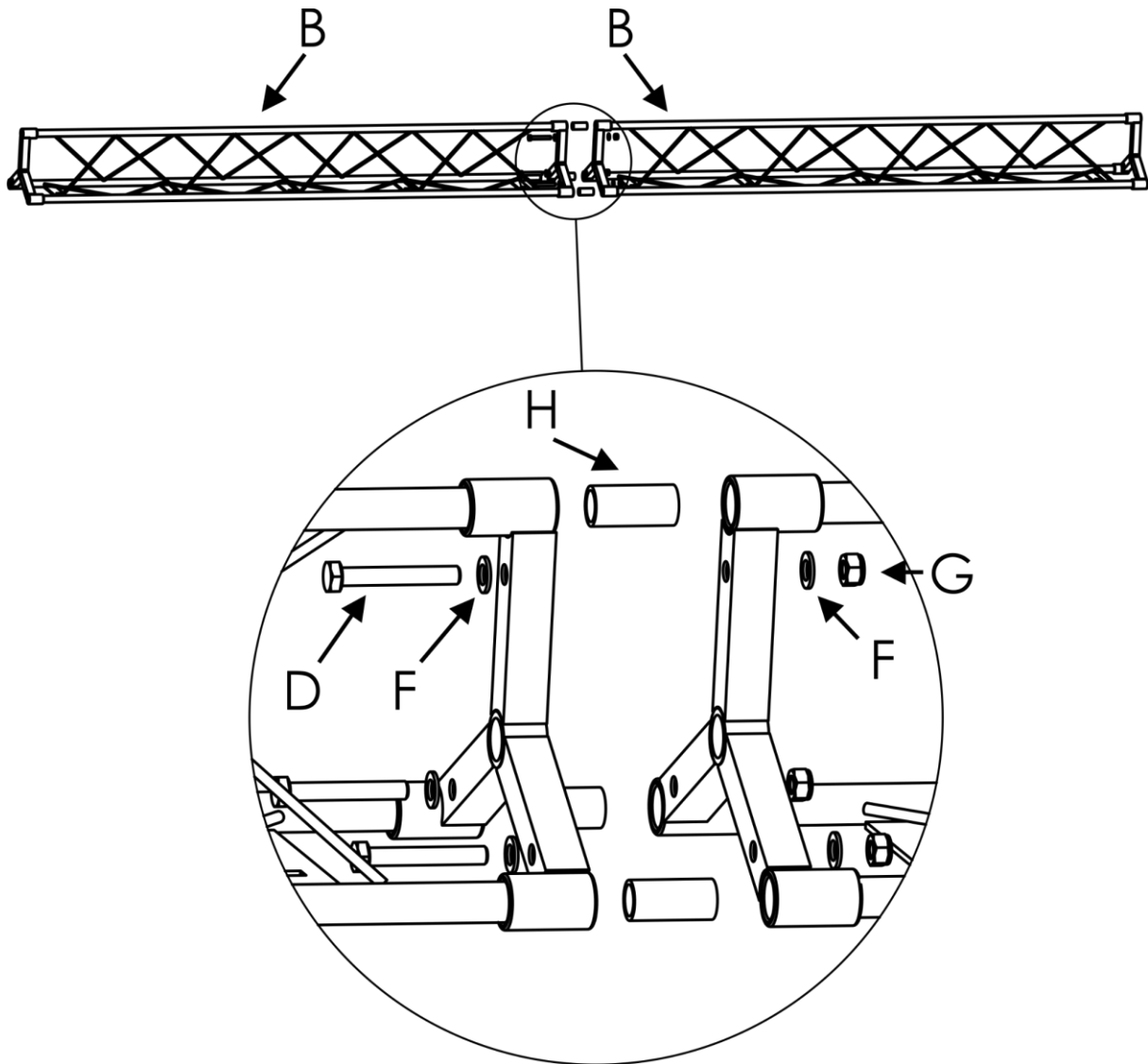


Fig. 03

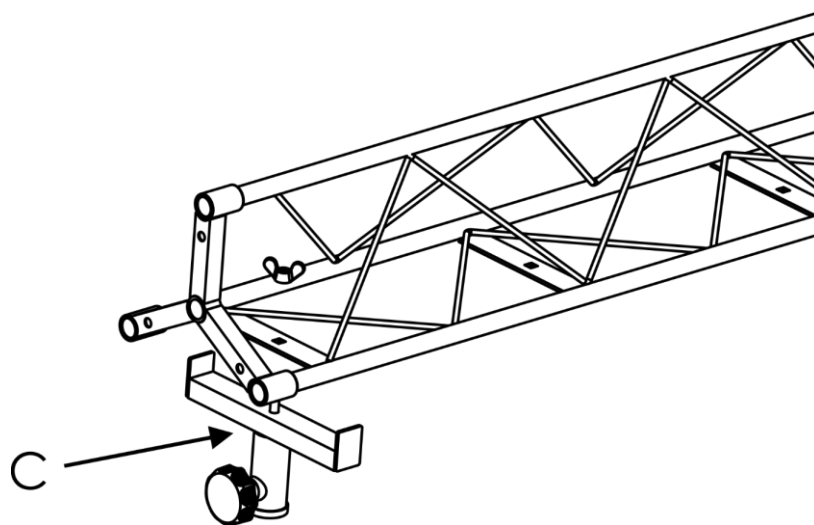


Fig. 04



Fig. 05

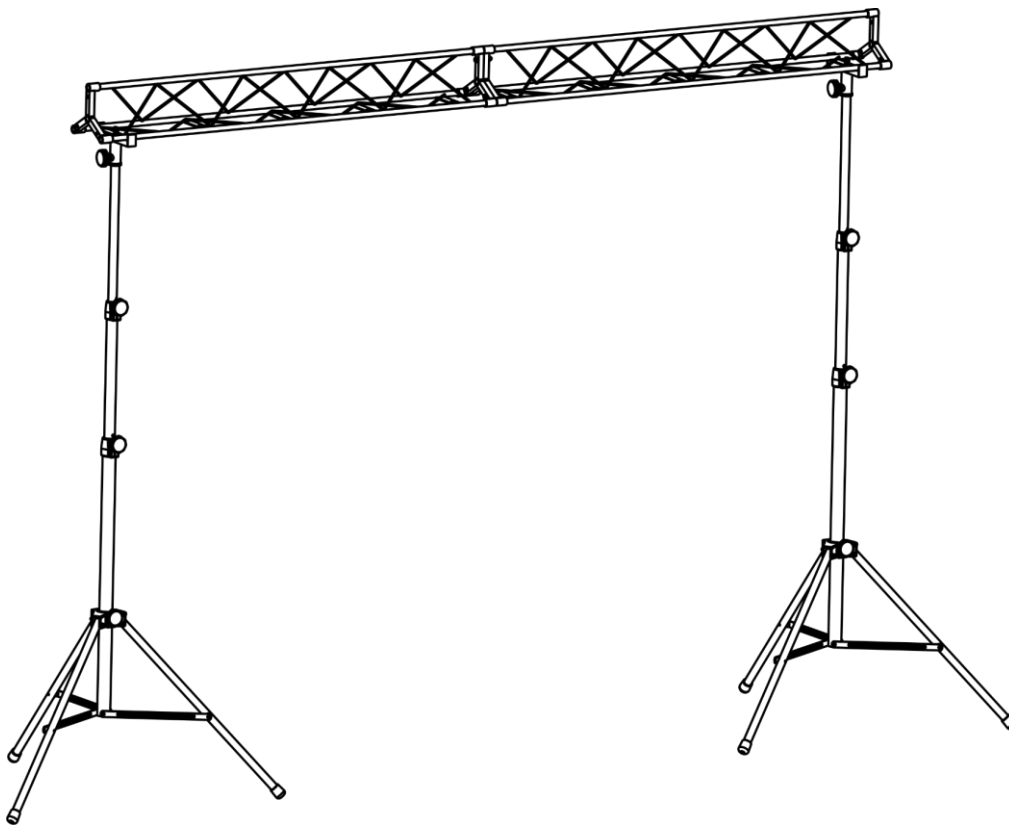


Fig. 06

Maintenance

The operator has to make sure that safety-related and machine-technical installations are to be inspected by an expert after every year in the course of an acceptance test.

The operator has to make sure that safety-related and machine-technical installations are to be inspected by a skilled person once a year.

The following points have to be considered during the inspection:

- 01) All screws used for installing the device or parts of the device have to be tightly connected and must not be corroded.
- 02) There may not be any deformations on housings, fixations and installation spots.
- 03) Mechanically moving parts like axles, eyes and others may not show any traces of wearing.

The Light Bridge Set requires almost no maintenance. However, you should keep the unit clean. Wipe the device with a damp cloth. Do not use alcohol or solvents. Do not immerse in liquid.

Product Specifications

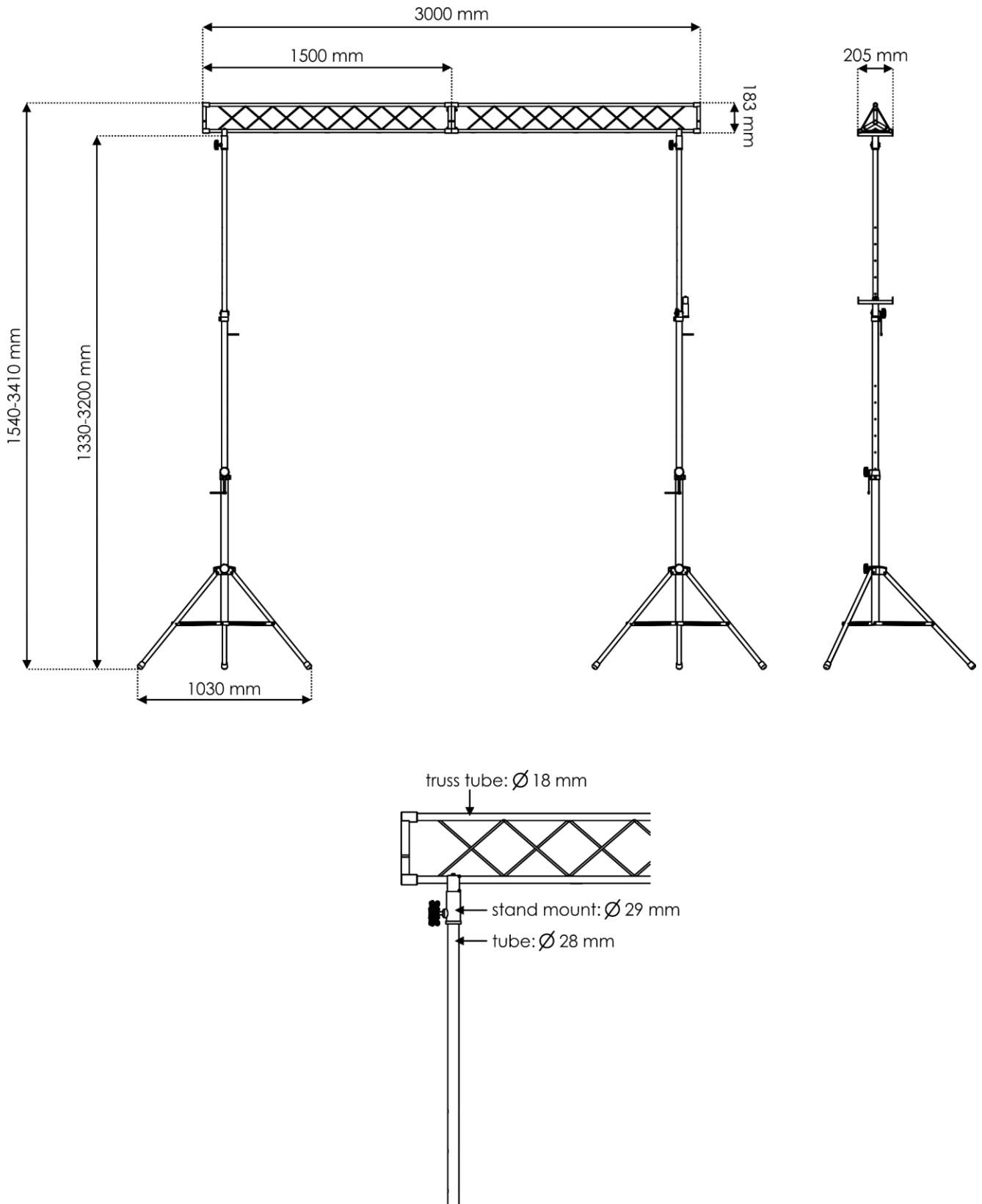
Model:	Showtec Light Bridge Set
Max. Load:	60 kg (distributed load)
Diameter truss tube:	18 mm
Diameter stand tube:	28 mm
Height:	1540–3410 mm
Width:	3000 mm
Attachment points:	8
Attachment screws:	M6 with wingnuts
Separation between fixtures:	300 mm
Housing:	Steel & magnesium
Dimensions:	3000 x 1030 x 3410 mm (LxWxH)
Weight:	21,3 kg



Website: www.Showtec.info

Email: service@highlite.com

Dimensions





©2019 Showtec