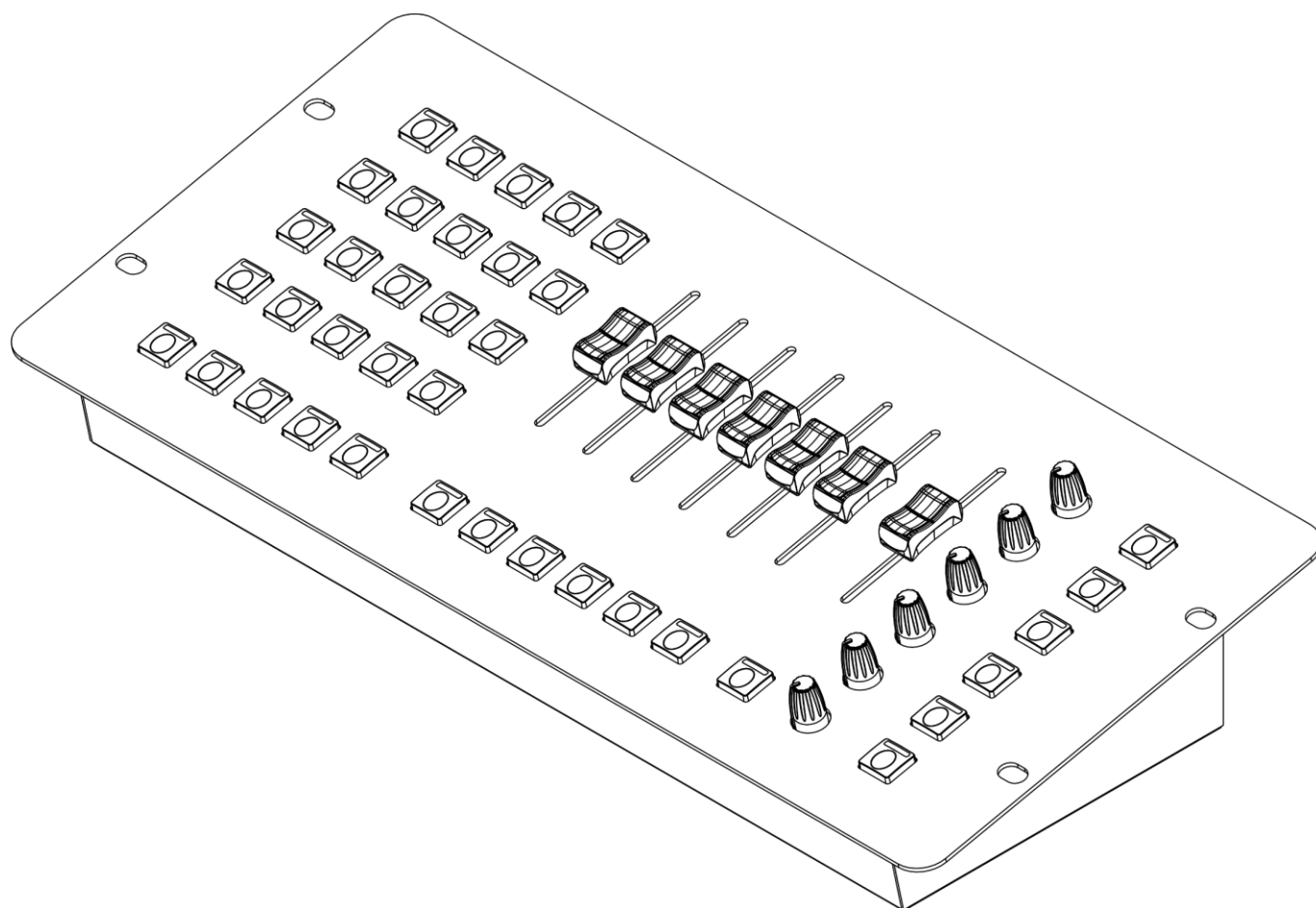




MANUAL



ENGLISH

ColorCue 2

V1

Order code: 50704

Table of contents

Warning	2
Unpacking Instructions.....	2
Safety Instructions	2
Operating Determinations	3
Return Procedure.....	4
Claims.....	4
Description of the Device	5
Features	5
Top View	5
Back View.....	6
Installation	6
Setup and Operation	6
Power on.....	6
Fixture Linking.....	7
Data Cabling.....	7
DMX Addressing	7
Setup Mode	8
Operating Modes	8
1. Manual Mode.....	8
2. Static Colors Mode.....	9
2.1. Preset Colors Mode.....	9
2.2. User Colors Mode	10
3. Chases Mode	10
3.1. Preset Chases Mode.....	10
3.2. User Chases Mode	12
Operating functions	12
Strobe.....	12
Blackout.....	12
Chase Playback.....	12
Cancel a Selection.....	13
Clear a Value	13
Switch Between Modes	13
Programming Mode	13
Record a Color.....	13
Delete a Color.....	13
Record a Chase Step.....	14
Add a Chase Step to an Existing Chase	14
Delete a Chase Step.....	15
Delete a Chase	15
Factory Reset	15
Maintenance	16
Troubleshooting	16
No Light.....	16
No Response to DMX.....	16
Product Specifications	17
Dimensions	18

Warning

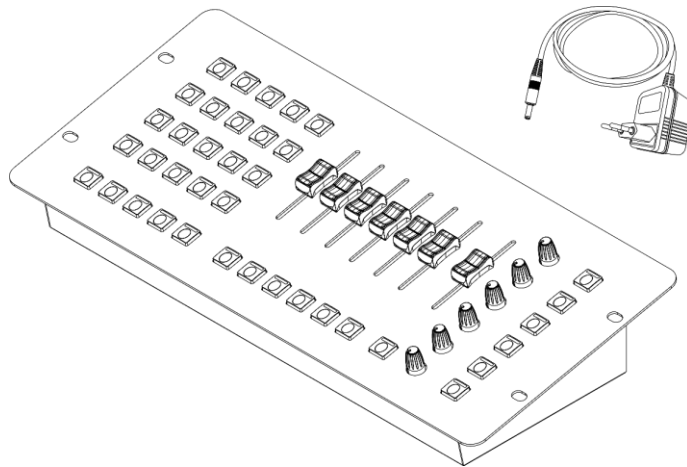
**For your own safety, please read this user manual carefully
before your initial start-up!**

**Unpacking Instructions**

Immediately upon receiving this product, carefully unpack the carton and check the contents to ensure that all parts are present, and have been received in good condition. Notify the dealer immediately and retain packing material for inspection if any parts appear damaged from shipping or the carton itself shows signs of mishandling. Save the carton and all packing materials. In the event that a fixture must be returned to the factory, it is important that the fixture will be returned in the original factory box and packing.

Your shipment includes:

- Showtec ColorCue 2
- AC power adapter with 4 interchangeable AC plugs (Europe, UK, US/JP, AUS/NZ)
- User manual



CAUTION!
Keep this device away from rain and moisture!
Unplug mains lead before opening the housing!

**Safety Instructions**

Every person involved with the installation, operation and maintenance of this device has to:

- be qualified
- follow the instructions of this manual



CAUTION! Be careful with your operations.
**With a dangerous voltage you can suffer
a dangerous electric shock when touching the wires!**



Before your initial start-up, please make sure that there is no damage caused by transportation. Should there be any, consult your dealer and do not use the device.

To maintain perfect condition and to ensure a safe operation, it is absolutely necessary for the user to follow the safety instructions and warning notes written in this manual.

Please consider that damages caused by manual modifications to the device are not subject to warranty.

This device contains no user-serviceable parts. Refer servicing to qualified technicians only.

IMPORTANT:

The manufacturer will not accept liability for any resulting damages caused by the non-observance of this manual or any unauthorized modification to the device.

- Never remove warning or informative labels from the unit.
- Never leave any cables lying around.
- Never use the device during thunderstorms, unplug the device immediately.
- Never leave various parts of the packaging (plastic bags, polystyrene foam, nails, etc.) within children's reach, as they are potential sources of danger.
- Do not open the device and do not modify the device.
- Do not switch the device on and off in short intervals, as this will reduce the device's life.
- Do not shake the device. Avoid brute force when installing or operating the device.
- Only use the device indoors, avoid contact with water or other liquids.
- Only operate the device after having checked if the housing is firmly closed and all screws are tightly fastened.
- Only operate the device after having familiarized with its functions.
- Avoid flames and do not put close to flammable liquids or gases.
- Always disconnect power from the mains, when device is not used or before cleaning! Only handle the power cord holding it by the plug. Never pull out the plug by tugging the power cord.
- Make sure that the device is not exposed to extreme heat, moisture or dust.
- Make sure that the power cord is never crimped or damaged. Check the device and the power cord from time to time.
- Use only the supplied AC power adapter.
- If the device was dropped or struck, disconnect mains power supply immediately. Have a qualified engineer inspect for safety before operating.
- If the device has been exposed to drastic temperature fluctuation (e.g. after transportation), do not switch it on immediately. The arising condensation water might damage your device. Leave the device switched off until it has reached room temperature.
- If your device fails to work properly, discontinue the use immediately. Pack the unit securely (preferably in the original packing material), and return it to your Showtec dealer for service.
- For adult use only. The device must be installed beyond the reach of children. Never leave the unit running unattended.
- The user is responsible for correct positioning and operating of the device. The manufacturer will not accept liability for damages caused by the misuse or incorrect installation of this device.
- This device falls under protection class II.
- Repairs, servicing and electric connection must be carried out by a qualified technician.
- WARRANTY: Till one year after date of purchase.

Operating Determinations

- This device is not designed for permanent operation. Consistent operation breaks will ensure that the device will serve you for a long time without defects.
- The maximum ambient temperature $t_a = 40\text{ °C}$ must never be exceeded.
- The relative humidity must not exceed 50 % with an ambient temperature of 40 °C .
- If this device is operated in any other way, than the one described in this manual, the product may suffer damages and the warranty becomes void.
- Any other operation may lead to dangers like short-circuit, burns, electric shock, crash etc.

You endanger your own safety and the safety of others!

Improper installation can cause serious damage to people and property!



Return Procedure



Returned merchandise must be sent prepaid and in the original packing, call tags will not be issued. Package must be clearly labeled with a Return Authorization Number (RMA number). Products returned without an RMA number will be refused. Highlite will not accept the returned goods or any responsibility. Call Highlite 0031-455667723 or mail aftersales@highlite.com and request an RMA prior to shipping the fixture. Be prepared to provide the model number, serial number and a brief description of the cause for the return. Be sure to properly pack fixture, any shipping damage resulting from inadequate packaging is the customer's responsibility. Highlite reserves the right to use its own discretion to repair or replace product(s). As a suggestion, proper UPS packing or double-boxing is always a safe method to use.

Note: If you are given an RMA number, please include the following information on a piece of paper inside the box:

- 01) Your name
- 02) Your address
- 03) Your phone number
- 04) A brief description of the symptoms

Claims

The client has the obligation to check the delivered goods immediately upon delivery for any shortcomings and/or visible defects, or perform this check after our announcement that the goods are at their disposal. Damage incurred in shipping is the responsibility of the shipper; therefore the damage must be reported to the carrier upon receipt of merchandise.

It is the customer's responsibility to notify and submit claims with the shipper in the event that a fixture is damaged due to shipping. Transportation damage has to be reported to us within one day after receipt of the delivery.

Any return shipment has to be made post-paid at all times. Return shipments must be accompanied with a letter defining the reason for return shipment. Non-prepaid return shipments will be refused, unless otherwise agreed in writing.

Complaints against us must be made known in writing or by fax within 10 working days after receipt of the invoice. After this period complaints will not be handled anymore.

Complaints will only then be considered if the client has so far complied with all parts of the agreement, regardless of the agreement of which the obligation is resulting.

Description of the Device

Features

The ColorCue 2 is a LED controller featuring 1 master fader, 6 fixture intensity faders, 6 color potentiometers and 20 memory buttons for colors, chases, and user presets.

- Power input: 12 V DC, 1,5 mA
- Power consumption: 15 W
- Fixed colors: 20
- Fixed chases: 20
- User colors: 20
- User chases: 20 with 99 steps per chase
- Fixtures: 6
- Connections: 3-pin DMX signal connector OUT, USB input connector (no function), DC input connector
- Operation modes: Manual, Static Colors, Chases
- Power supply: AC power adapter
- Dimensions: 385 x 175 x 78 mm (L x W x H)
- Weight: 1,85 kg

Top View

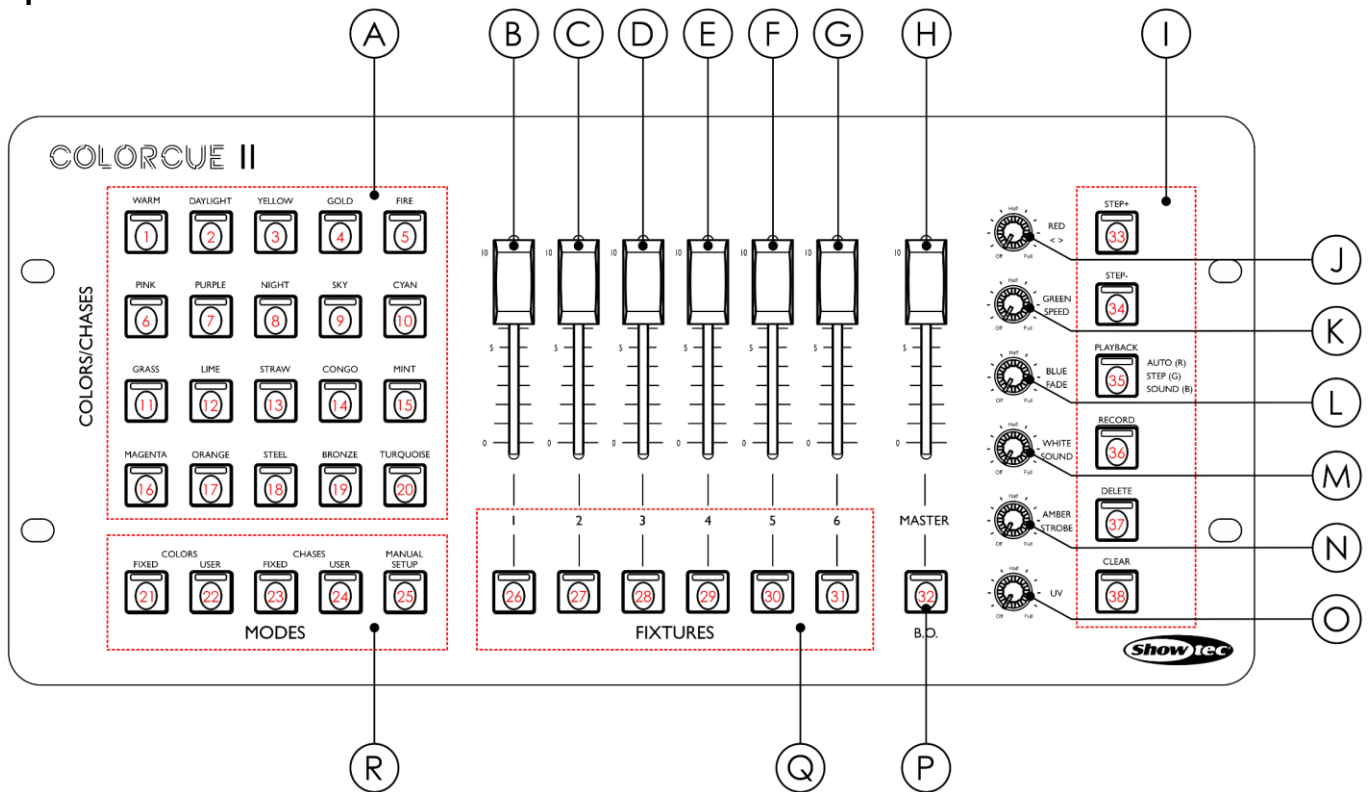


Fig. 01

- | | |
|---|---------------------------|
| A) Colors/Chases/Memory buttons with LEDs | J) Red/Direction control |
| B) Fader Fixture 1 | K) Green/Speed control |
| C) Fader Fixture 2 | L) Blue/Fade control |
| D) Fader Fixture 3 | M) White/Sound control |
| E) Fader Fixture 4 | N) Amber/Strobe control |
| F) Fader Fixture 5 | O) UV control |
| G) Fader Fixture 6 | P) Blackout (B.O.) button |
| H) Master fader | Q) Fixtures buttons |
| I) Function buttons with LEDs | R) Modes buttons |

Back View

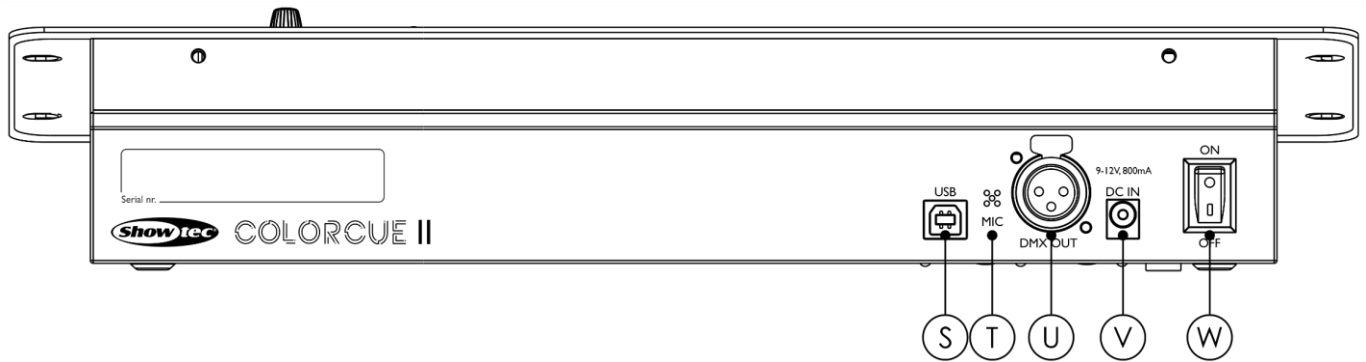


Fig. 02

- S) USB connector (no function)
- T) Microphone
- U) 3-pin DMX connector OUT
- V) DC input connector
- W) Power switch ON/OFF

Installation

Remove all packing materials from the ColorCue 2. Check if all foam and plastic padding is removed. Connect the LED controller to a power outlet with the supplied AC power adapter.

Always disconnect from electric mains power supply before cleaning or servicing.
Damages caused by non-observance are not subject to warranty.

Setup and Operation

Follow the directions below, as they pertain to your preferred operation mode.

Before plugging the unit in, always make sure that the power supply matches the product specification voltage.

Power on

Press the power switch **(W)** in ON position to turn the ColorCue 2 on.
Press the power switch **(W)** in OFF position to turn the ColorCue 2 off.

Fixture Linking

You will need a serial data link to run light shows of one or more fixtures using a DMX-512 controller or to run synchronized shows of two or more fixtures set to a master/slave operating mode. The combined number of channels required by all fixtures on a serial data link determines the number of fixtures the data link can support.

Important: Fixtures on a serial data link must be daisy-chained in a single line. To comply with the EIA-485 standard, no more than 30 devices should be connected on one data link. Connecting more than 30 fixtures on one serial data link without the use of a DMX optically isolated splitter may result in deterioration of the digital DMX signal.



Maximum recommended DMX data link distance: 100 meters
Maximum recommended number of fixtures on a DMX data link: 30 fixtures

Data Cabling

To link fixtures together you must obtain data cables. You can purchase DAP Audio certified DMX cables directly from a dealer/distributor or construct your own cable. If you choose to create your own cable please use data-grade cables that can carry a high quality signal and are less prone to electromagnetic interference.

DAP Audio DMX Data Cables

- DAP Audio 110 Ohm cable with digital signal transmission. **Order code** FL0975 (0,75 m), FL09150 (1,5 m), FL093 (3 m), FL096 (6 m), FL0910 (10 m), FL0915 (15 m), FL0920 (20 m).
- DAP Audio DMX adapter: 5-pin/3-pin. **Order code** FLA29.
- DAP Audio DMX adapter: 3-pin/5-pin. **Order code** FLA30.
- DAP Audio DMX Terminator 3-pin. **Order code** FLA42.
- DAP Audio DMX Terminator 5-pin. **Order code** FLA43.

Note: Use of 3-pin XLR audio cables for DMX data transmission might lead to signal degradation and unreliable operation of the DMX network.

DMX Addressing

ColorCue 2 has **6** DMX channels per fixture and you can link up to 6 LED fixtures. When linking the LED fixtures, make sure you set the DMX addresses right. The DMX address of the first LED fixture should be **1 (001)**. The DMX address of the second LED fixture should be **1+6=7 (007)**. The DMX address of the third LED fixture should be **7+6=13 (013)**, etc. Please note, that the LED fixture with starting DMX address 1 will respond to **FIXTURE 1** button (**26**), LED fixture with starting DMX address 7 will respond to **FIXTURE 2** button (**27**), LED fixture with starting DMX address 13 will respond to **FIXTURE 3** button (**28**), etc.

Starting DMX addresses of the connected fixtures

Fixture	Fixture button	DMX address
Fixture 1	26	001
Fixture 2	27	007
Fixture 3	28	013
Fixture 4	29	019
Fixture 5	30	025
Fixture 6	31	034

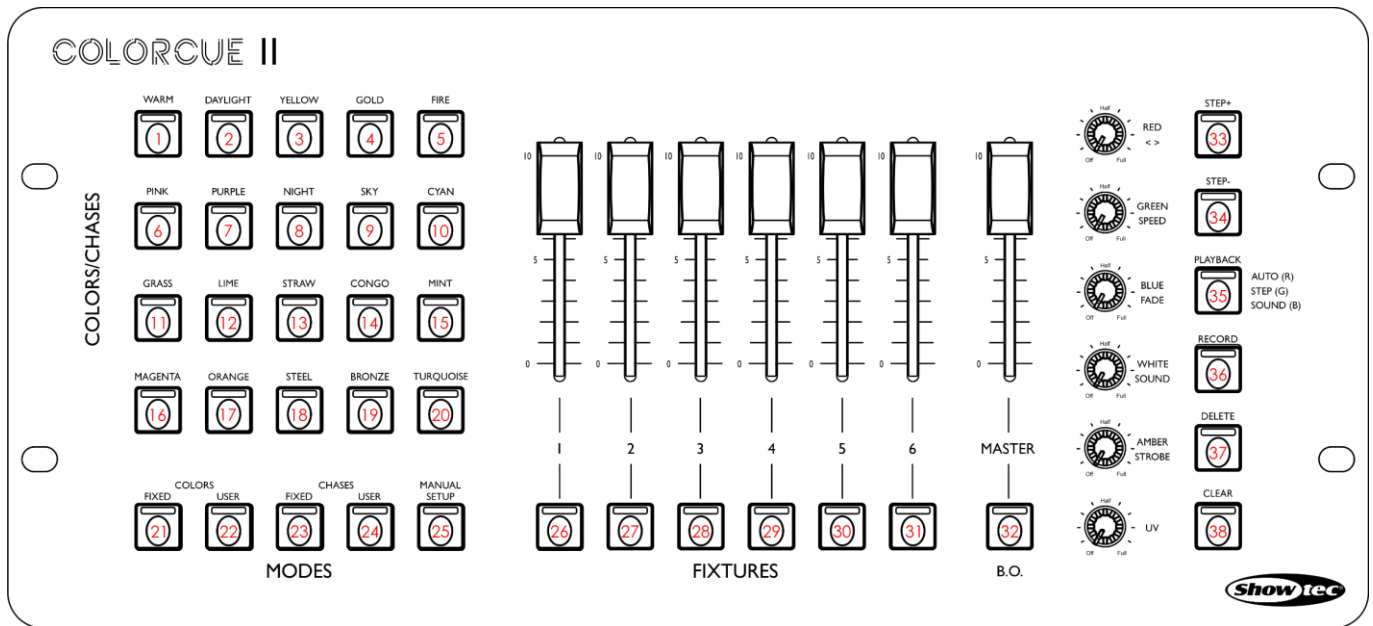


Fig. 03

Setup Mode

In this mode you can select the type of the LEDs of the connected lighting fixture(s).

- 01) Press and hold down the SETUP button **(25)** for 3 seconds. The LED on the button will start blinking.
- 02) Press one or more FIXTURES buttons **(26) – (31)** to select the fixture(s) for which you want to set up the LEDs type. You can select multiple fixtures at the same time.
- 03) Press one of the first 9 COLORS/CHASES buttons **(01) – (09)** to select the LEDs type of the fixture:
 - (01)** RGB
 - (02)** RGBW
 - (03)** RGBA
 - (04)** RGBWA
 - (05)** RGBAW
 - (06)** RGBW-UV
 - (07)** RGBA-UV
 - (08)** RGBWA-UV (default setting)
 - (09)** RGBAW-UV
 The LED on the selected button will light up.
- 04) Press and hold down the SETUP button **(25)** for 3 seconds to exit the Setup Mode. The LED on the button will stop blinking.

Operating Modes

There are 3 operating modes:

1. Manual
2. Static Colors Mode (Preset/User colors)
3. Chases Mode (Preset/User chases)

1. Manual Mode

In this mode you can manually set the light colors.

- 01) Press one or more FIXTURES buttons **(26) – (31)** to select the fixture(s) that you want to control manually. You can select multiple fixtures at the same time.
- 02) Press the MANUAL button **(25)** to enter Manual Mode. The LED on the button will light up.
- 03) Turn the controls **(J) – (O)** to select the desired color. The available colors are RED, GREEN, BLUE, WHITE, AMBER and UV. Turning the control clockwise will increase the color intensity. If you want to clear a selection, press the CLEAR button **(38)**.
- 04) Press the MANUAL button **(25)** again to exit Manual Mode. The LED on the button will turn off.

2. Static Colors Mode

In this mode you can choose one of the 20 preset colors or 20 user recorded colors.

Note: It is not possible to set a combination of preset and user colors on the selected fixture at the same time. However, it is possible to select different preset colors for each of the 6 fixtures at the same time.

2.1. Preset Colors Mode

- 01) Press one or more FIXTURES buttons **(26) – (31)** to select the fixture(s) for which you want to use a preset color. You can select multiple fixtures at the same time.
- 02) Press the FIXED COLORS button **(21)** to enter Preset Colors Mode. The LED on the button will light up.
- 03) Press one of the COLORS buttons **(01) – (20)** to select the desired preset color. There are 20 preset colors: WARM WHITE, DAYLIGHT, YELLOW, GOLD, FIRE, PINK, PURPLE, NIGHT BLUE, SKY BLUE, CYAN, GRASS, LIME, STRAW, CONGO, MINT, MAGENTA, ORANGE, STEEL, BRONZE, TURQUOISE. The LED on the button will light up.
- 04) Turn the STROBE control **(N)** to add strobe effect, if desired. The adjustment range is from OFF to FULL, from low to high frequency.
- 05) Press the FIXED COLORS button **(21)** again to exit the Preset Colors Mode. The LED on the button will turn off.

Preset colors DMX values

Button	Preset color	RED	GREEN	BLUE	WHITE	AMBER	UV
1	WARM WHITE	245	225	105	60	235	0
2	DAYLIGHT	255	230	155	155	0	0
3	YELLOW	255	230	0	0	135	0
4	GOLD	255	115	0	0	255	0
5	FIRE	200	50	0	0	50	0
6	PINK	255	0	127	0	0	255
7	PURPLE	220	0	255	0	0	255
8	NIGHT BLUE	25	0	255	0	0	255
9	SKY BLUE	0	127	255	80	0	255
10	CYAN	0	255	255	0	0	200
11	GRASS	50	255	0	0	127	0
12	LIME	195	255	0	50	140	0
13	STRAW	245	220	0	100	20	0
14	CONGO	0	0	200	0	0	255
15	MINT	50	255	0	0	127	0
16	MAGENTA	255	0	255	0	0	255
17	ORANGE	255	50	0	0	100	0
18	STEEL	0	60	255	150	0	255
19	BRONZE	120	45	0	0	30	0
20	TURQUOISE	0	200	255	0	0	127

2.2. User Colors Mode

In this mode you can select a color that you have previously recorded. Please refer to **Record a Color** on page 13 for more information.

01) Press one or more FIXTURES buttons **(26) – (31)** to select the fixture(s) for which you want to use a recorded color. You can select multiple fixtures at the same time.

Note: In this mode you can select only the fixture for which the color has been recorded. For more information see **Record a Color** on page 13.

02) Press the USER COLORS button **(22)** to enter User Colors Mode. The LED on the button will light up.
 03) Press one of the COLORS buttons **(01) – (20)** to select the desired user color. The LED on the button will light up.

Note: If no user color is assigned to a button, the LED will not light up when you press the button.

04) Turn the STROBE control **(N)** to add strobe effect, if desired. The adjustment range is from OFF to FULL, from low to high frequency.
 05) Press the USER COLORS button **(22)** again to exit the User Colors Mode. The LED on the button will turn off.

3. Chases Mode

In this mode you can play one of the 20 preset chases or 20 user recorded chases.

Note: All selected fixtures will play the same preset/user chase. It is not possible:

- To play different preset or user chases on the selected fixtures at the same time
- To play a combination of preset and user chases on the selected fixtures at the same time

3.1. Preset Chases Mode

To play one of the 20 preset chases:

01) Press one or more FIXTURES buttons **(26) – (31)** to select the fixture(s) for which you want to use a preset chase. You can select multiple fixtures at the same time.
 02) Press the FIXED CHASES button **(23)** to enter Preset Chases Mode. The LED on the button will light up.
 03) Press one of the CHASES buttons **(01) – (20)** to select the desired preset chase. The LED on the button will light up.
 04) Press the PLAYBACK button **(35)** repeatedly until the LED on the button lights up in the color corresponding to the desired playback option. See **Chase Playback** on page 12 for more information.

Preset chases color sequence

Button	Chases	Fixture 1	Fixture 2	Fixture 3	Fixture 4	Fixture 5	Fixture 6
1	Program 1	RED GREEN	RED GREEN	RED GREEN	RED GREEN	RED GREEN	RED GREEN
2	Program 2	RED BLUE	RED BLUE	RED BLUE	RED BLUE	RED BLUE	RED BLUE
3	Program 3	GREEN BLUE	GREEN BLUE	GREEN BLUE	GREEN BLUE	GREEN BLUE	GREEN BLUE
4	Program 4	GREEN WHITE	GREEN WHITE	GREEN WHITE	GREEN WHITE	GREEN WHITE	GREEN WHITE
5	Program 5	RED WHITE	RED WHITE	RED WHITE	RED WHITE	RED WHITE	RED WHITE
6	Program 6	RED GREEN	GREEN RED	RED GREEN	GREEN RED	RED GREEN	GREEN RED
7	Program 7	RED BLUE	BLUE RED	RED BLUE	BLUE RED	RED BLUE	BLUE RED

Button	Chases	Fixture 1	Fixture 2	Fixture 3	Fixture 4	Fixture 5	Fixture 6
8	Program 8	GREEN BLUE	BLUE GREEN	GREEN BLUE	BLUE GREEN	GREEN BLUE	BLUE GREEN
9	Program 9	GREEN WHITE	WHITE GREEN	GREEN WHITE	WHITE GREEN	GREEN WHITE	WHITE GREEN
10	Program 10	RED WHITE	WHITE RED	RED WHITE	WHITE RED	RED WHITE	WHITE RED
11	Program 11	RED GREEN GREEN RED	GREEN GREEN RED RED	RED GREEN GREEN RED	GREEN GREEN RED RED	RED GREEN GREEN RED	GREEN GREEN RED RED
12	Program 12	RED BLUE BLUE RED	BLUE BLUE RED RED	RED BLUE BLUE RED	BLUE BLUE RED RED	RED BLUE BLUE RED	BLUE BLUE RED RED
13	Program 13	GREEN BLUE BLUE GREEN	BLUE BLUE GREEN GREEN	GREEN BLUE BLUE GREEN	BLUE BLUE GREEN GREEN	GREEN BLUE BLUE GREEN	BLUE BLUE GREEN GREEN
14	Program 14	GREEN WHITE WHITE GREEN	WHITE WHITE GREEN GREEN	GREEN WHITE WHITE GREEN	WHITE WHITE GREEN GREEN	GREEN WHITE WHITE GREEN	WHITE WHITE GREEN GREEN
15	Program 15	RED WHITE WHITE RED	WHITE WHITE RED RED	RED WHITE WHITE RED	WHITE WHITE RED RED	RED WHITE WHITE RED	WHITE WHITE RED RED
16	Program 16	RED BLUE GREEN	GREEN RED BLUE	BLUE GREEN RED	RED BLUE GREEN	GREEN RED BLUE	BLUE GREEN RED
17	Program 17	CYAN YELLOW MAGENTA	MAGENTA CYAN YELLOW	YELLOW MAGENTA CYAN	CYAN YELLOW MAGENTA	MAGENTA CYAN YELLOW	YELLOW MAGENTA CYAN
18	Program 18	MAGENTA CYAN CYAN	CYAN MAGENTA CYAN	CYAN CYAN MAGENTA	MAGENTA CYAN CYAN	CYAN MAGENTA CYAN	CYAN CYAN MAGENTA
19	Program 19	YELLOW CYAN CYAN	CYAN YELLOW CYAN	CYAN CYAN YELLOW	YELLOW CYAN CYAN	CYAN YELLOW CYAN	CYAN CYAN YELLOW
20	Program 20	RED MAGENTA BLUE CYAN GREEN YELLOW	YELLOW RED MAGENTA BLUE CYAN GREEN	GREEN YELLOW RED MAGENTA BLUE CYAN	CYAN GREEN YELLOW RED MAGENTA BLUE	BLUE CYAN GREEN YELLOW RED MAGENTA	MAGENTA BLUE CYAN GREEN YELLOW RED

3.2. User Chases Mode

In this mode you can play a chase that you have previously recorded. Please refer to **Record a Chase Step** on page 14 for more information.

01) Press one or more FIXTURES buttons **(26) – (31)** to select the fixture(s) for which you want to play a user chase. You can select multiple fixtures at the same time.

Note: In this mode you can select only the fixtures for which the chase has been recorded. For more information see **Record a Chase Step** on page 14.

02) Press the USER CHASES button **(24)** to enter User Chases Mode. The LED on the button will light up.

03) Press one of the CHASES buttons **(01) – (20)** to select the desired user chase. The LED on the button will light up.

Note: If no user chase is assigned to a button, the LED will not light up when you press the button.

04) Press the PLAYBACK button **(35)** repeatedly until the LED on the button lights up in the color corresponding to the desired playback option. There are three playback options. See **Chase Playback** on page 12 for more information.

Operating functions

Strobe

The strobe function can be activated in any of the 3 operating modes: Manual Mode, Static Colors Mode and Chases Mode.

When in the respective operating mode, turn the STROBE control **(N)** to add strobe effect. The adjustment range is from OFF to FULL, from low to high frequency.

Note: The strobe effect cannot be recorded in a color or a chase.

Blackout

The blackout function can be activated in any of the 3 operating modes: Manual Mode, Static Colors Mode and Chases Mode.

When in the respective operating mode, press the BLACKOUT (B.O.) button **(32)** to black out the light output of all fixtures. The LED on the button will start blinking.

Chase Playback

There are 3 playback options. Press the PLAYBACK button **(35)** repeatedly until the LED on the button lights up in the color corresponding to the playback option.

- **Auto playback:** The LED on the button will light up in **red**. Turn the SPEED control **(K)** to increase or decrease the speed. The chase will play automatically.

Note: When you turn the device on to play a chase, you will need first to fetch the zero position of the speed and the fade. Turn the SPEED **(K)** and FADE **(L)** controls clockwise or counterclockwise to fetch the zero position. When the zero position is fetched, you can further adjust the speed and the fade. If you switch between two chases or between a chase and a color, it is not necessary to fetch the zero position again.

- **Manual playback:** The LED on the button will light up in **green**. Press the STEP+ **(33)** or the STEP- **(34)** buttons to manually choose a step from the chase step sequence.
- **Sound-controlled playback:** The LED on the button will light up in **blue**. The chase will play automatically reacting to the beat of the music. Turn the SOUND control **(M)** to adjust the sensitivity of the built-in microphone.

You can additionally adjust the following parameters during playback of the chase:

- Chase direction: turn the < > control **(J)** to change the direction of the chase. In OFF position (<) the chase will be played backwards. In FULL position (>) the chase will be played forwards.
- Speed: turn the SPEED control **(K)** to increase or decrease the speed of the chase.
- Fade: turn the FADE control **(L)** to increase or decrease the fade time between the steps. Fade time cannot be adjusted during manual playback and sound-controlled playback.

- Strobe: turn the STROBE control **(N)** to add strobe effect to the chase. The adjustment range is from OFF to FULL, from low to high frequency.

Cancel a Selection

To cancel a selection in Static Colors Mode and Chases Mode:

- Press the same COLORS/CHASES button **(01) – (20)** again. The LED on the button will turn off.
- Press another COLORS/CHASES button **(01) – (20)**, to select a new color/chase. This will cancel the current selection and activate the new one. The LED on the selected button will light up.

Clear a Value

Press the CLEAR button **(38)** to clear any value set with the controls **(J) – (O)**. You can clear the color values, selected in Manual Mode, as well as the chase direction, speed, fade and strobe in Static Colors Mode and Chases Mode.

Switch Between Modes

- To switch from Static Colors Mode or Chases Mode to Manual Mode, you will need first to fetch the output values of the colors. Turn the color controls **(J) – (O)** completely clockwise or counterclockwise to fetch the output values. When the output values are fetched, you can further adjust the color intensity in Manual Mode.
- To switch from Manual Mode to Static Colors Mode or Chases Mode or between Static Colors Mode and Chases Mode press the respective MODES **(R)** button.

Programming Mode

In this mode you can create a custom color or a chase and assign it to one of the 20 COLORS/CHASES buttons **(A)**. The stored user colors/chases can be played in User Colors Mode and User Chases Mode.

Record a Color

- 01) Press one or more FIXTURES buttons **(26) – (31)** to select the fixture(s) for which you want to record a user color. You can select multiple fixtures at the same time.

Note: The user color is recorded on the DMX channel corresponding to the LED fixture and cannot be selected on other channels/fixture. If you want to have the same color recorded for all fixtures, you need to choose all 6 fixtures in step 1 above.

- 02) Press and hold down the RECORD button **(36)** for 3 seconds to enter programming mode. The LED on the button will start blinking.
- 03) Press the MANUAL button **(25)** to enter Manual Mode. The LED on the button will light up.
- 04) Turn the controls **(J) – (O)** to select the desired color. The available colors are RED, GREEN, BLUE, WHITE, AMBER and UV. Turning the control clockwise will increase the color intensity.
- 05) Press the USER COLORS button **(22)**. The LED on the button will light up.
- 06) Press the RECORD button **(36)** and one of the COLORS buttons **(01) – (20)** simultaneously to save the color and assign it to a button. All LEDs will blink 3 times.

Note: To check if a COLORS button **(01) – (20)** is free and has no color assigned to, press the respective button. If the LED on the button lights up, the button is not free.

- 07) Press and hold down the RECORD button **(36)** for 3 seconds to exit programming mode. The LED on the button will turn off.

Delete a Color

- 01) Press one or more FIXTURES buttons **(26) – (31)** to select the fixture(s) for which you want to delete a user color. You can select multiple fixtures at the same time.
- 01) Press and hold down the RECORD button **(36)** for 3 seconds to enter programming mode. The LED on the button will start blinking.
- 02) Press the USER COLORS button **(22)**. The LED on the button will light up.
- 03) Press the DELETE button **(37)** and the COLORS buttons **(01) – (20)** simultaneously to delete the color. All LEDs will blink 3 times.
- 04) Press and hold down the RECORD button **(36)** for 3 seconds to exit programming mode. The LED on the button will turn off.

Record a Chase Step

01) Press one or more FIXTURES buttons **(26) – (31)** to select the fixture(s) for which you want to record a user chase. You can select multiple fixtures at the same time.

Note: The user chase is recorded on the DMX channel corresponding to the LED fixture and cannot be selected on other channels/fixture. If you want to have the same chase recorded for all fixtures, you need to choose all 6 fixtures in step 1 above.

02) Press and hold down the RECORD button **(36)** for 3 seconds to enter programming mode. The LED on the button will start blinking.

03) Press the USER CHASES button **(24)** to enter User Chases Mode. The LED on the button will light up.

04) Press one of the CHASES buttons **(01) – (20)** to which you want to assign the chase. The LED on the button will light up.

Note: To check if a CHASES button **(01) – (20)** is free and has no chase assigned to, press the respective button. If the LED on the button lights up, the button is not free.

05) Set the desired color by using one of the following 3 options:

- Manual setup: follow steps 2–3 from **Manual Mode** (see page 8) to set up the color manually
- Preset color: follow steps 2–3 from **2.1. Preset Colors Mode** (see page 9) to select one of the 20 preset colors
- User color: follow steps 2–3 from **2.2. User Colors Mode** (see page 10) to select one of the user recorded colors.

06) Press the RECORD button **(36)** to save the setting. The LEDs on all buttons will blink 3 times.

07) Repeat steps 5–6 above to program all steps in a chase.

Note: One chase can have up to 99 steps.

08) Press and hold down the RECORD button **(36)** for 3 seconds to exit programming mode. The LED on the button will turn off.

Note: Strobe, speed, fade and direction of the chase cannot be recorded in a chase. These functions can be adjusted during the playback of a chase.

Add a Chase Step to an Existing Chase

01) Press one or more FIXTURES buttons **(26) – (31)** to select the fixture(s) for which you want to add a step to an existing user chase. You can select multiple fixtures at the same time.

02) Press and hold down the RECORD button **(36)** for 3 seconds to enter programming mode. The LED on the button will start blinking.

03) Press the USER CHASES button **(24)** to enter User Chases Mode. The LED on the button will light up.

04) Press the CHASES button **(01) – (20)** for which you want to edit the chase. The LED on the button will light up.

05) Press the STEP+ **(33)** or the STEP- **(34)** button to select the step after which you want to add another step.

06) Set the desired color by using one of the following 3 options:

- Manual setup: follow steps 2–3 from **Manual Mode** (see page 8) to set up the color manually
- Preset color: follow steps 2–3 from **2.1. Preset Colors Mode** (see page 9) to select one of the 20 preset colors
- User color: follow steps 2–3 from **2.2. User Colors Mode** (see page 10) to select one of the user recorded colors.

07) Press the RECORD button **(36)** to save the setting. The LEDs on all buttons will blink 3 times.

08) Press and hold down the RECORD button **(36)** for 3 seconds to exit programming mode. The LED on the button will turn off.

Delete a Chase Step

- 01) Press one or more FIXTURES buttons **(26) – (31)** to select the fixture(s) for which you want to delete a step from an existing user chase. You can select multiple fixtures at the same time.
- 02) Press and hold down the RECORD button **(36)** for 3 seconds to enter programming mode. The LED on the button will start blinking.
- 03) Press the USER CHASES button **(24)** to enter User Chases Mode. The LED on the button will light up.
- 04) Press the CHASES button **(01) – (20)** for which you want to edit the chase. The LED on the button will light up.
- 05) Press the STEP+ **(33)** or the STEP- **(34)** button to select the step that you want to delete.
- 06) Press the DELETE button **(37)** to delete the step. The LEDs on all buttons will blink 3 times.
- 07) Press and hold down the RECORD button **(36)** for 3 seconds to exit programming mode. The LED on the button will turn off.

Delete a Chase

- 01) Press one or more FIXTURES buttons **(26) – (31)** to select the fixture(s) for which you want to delete a recorded user chase. You can select multiple fixtures at the same time.
- 02) Press and hold down the RECORD button **(36)** for 3 seconds to enter programming mode. The LED on the button will start blinking.
- 03) Press the USER CHASES button **(24)** to enter User Chases Mode. The LED on the button will light up.
- 04) Press the CHASES button **(01) – (20)** for which you want to delete the chase. The LED on the button will light up.
- 05) Press the DELETE button **(37)** and the CHASES buttons **(01) – (20)** simultaneously to delete the chase. The LEDs on all buttons will blink 3 times.
- 06) Press and hold down the RECORD button **(36)** for 3 seconds to exit programming mode. The LED on the button will turn off.

Factory Reset

Press and hold down the RECORD button **(36)**, the DELETE button **(37)** and the CLEAR button **(38)** simultaneously for 5 seconds to reset the LED controller to the factory settings. The LEDs on all buttons will blink 3 times.

All user programmed colors and chases will be deleted and the fixture type will return to its default setting: RGBWA-UV.

Maintenance

The operator has to make sure that safety-related and machine-technical installations are to be inspected by an expert after every year in the course of an acceptance test.

The operator has to make sure that safety-related and machine-technical installations are to be inspected by a skilled person once a year.

The following points have to be considered during the inspection:

- 01) All screws used for installing the device or parts of the device have to be tightly connected and must not be corroded.
- 02) There may not be any deformations on housings, fixations and installation spots.
- 03) Mechanically moving parts like axles, eyes and others may not show any traces of wearing.
- 04) The electric power supply cables must not show any damages or material fatigue.

The Showtec ColorCue 2 requires almost no maintenance. However, you should keep the unit clean. Disconnect the mains power supply, and then wipe the cover with a damp cloth. Do not immerse in liquid. Do not use alcohol or solvents.

Keep connections clean. Disconnect electric power, and then wipe the DMX and audio connections with a damp cloth. Make sure that the connections are thoroughly dry before linking equipment or supplying electric power.

Troubleshooting

This troubleshooting guide is meant to help solve simple problems.

If a problem occurs, carry out the steps below in sequence until a solution is found. Once the unit operates properly, do not carry out following steps.

No Light

If the ColorCue 2 does not operate properly, refer servicing to a technician.

Suspect three potential problem areas: the power supply, the ColorCue 2, the LED fixture.

- 01) Power supply. Check if the unit is plugged into an appropriate power supply.
- 02) The ColorCue 2. Return the ColorCue 2 to your Showtec dealer.
- 03) The LED fixture does not respond to the ColorCue 2. Check the DMX address of the fixture and the controller. Make sure that they match. Make sure that the connections are correct.
- 04) If all appears to be OK, plug the unit in again.
- 05) If nothing happens after 30 seconds, unplug the device.
- 06) If you are unable to determine the cause of the problem, do not open the ColorCue 2, as this may damage the unit and the warranty will become void.
- 07) Return the device to your Showtec dealer.

No Response to DMX

Suspect the DMX cable or connectors, a controller malfunction, a light effect DMX card malfunction.

- 01) Check the DMX setting. Make sure that DMX addresses are correct.
- 02) Check the DMX cable: Unplug the unit; change the DMX cable; then reconnect to electrical power. Try your DMX control again.
- 03) Determine whether the controller or light effect is at fault. Does the controller operate properly with other DMX products? If not, take the controller in for repair. If so, take the DMX cable and the light effect to a qualified technician.

Product Specifications

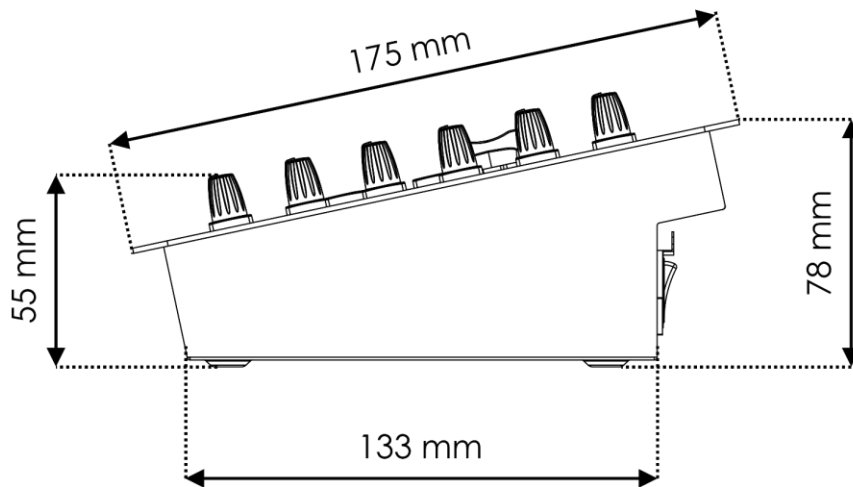
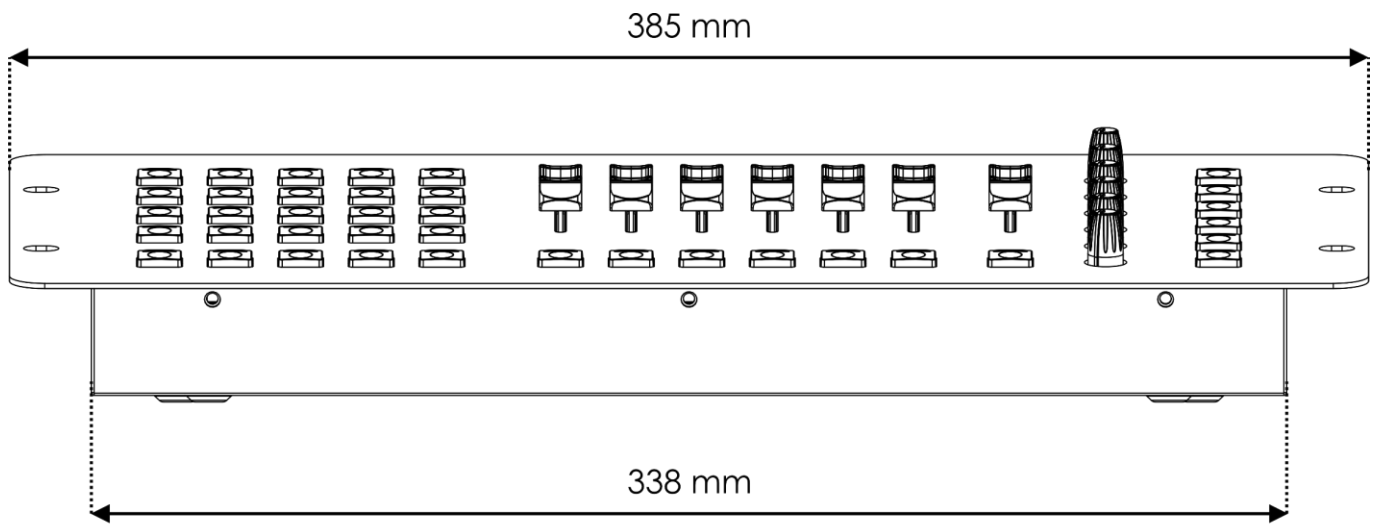
Model:	Showtec ColorCue 2
Power input:	12 V DC, 1,5 mA
Power consumption:	15 W
Dimensions:	385 x 175 x 78 mm (L x W x H)
Weight:	1,85 kg
Signal pin OUT:	pin 1 earth, pin 2 (-), pin 3 (+)
Signal output:	3-pin DMX signal connector OUT (6 DMX channels per fixture)
Fixed colors:	20
Fixed chases:	20
User colors:	20
User chases:	20 with 99 steps per chase
Fixtures:	6
Connections:	3-pin DMX signal connector OUT, USB input connector (no function), DC input connector
Power supply:	AC power adapter
Operation modes:	Manual, Static Colors, Chases
Max. ambient temperature t_a :	40 °C

Design and product specifications are subject to change without prior notice.



Website: www.Showtec.info
 Email: service@highlite.com

Dimensions





©2019 Showtec