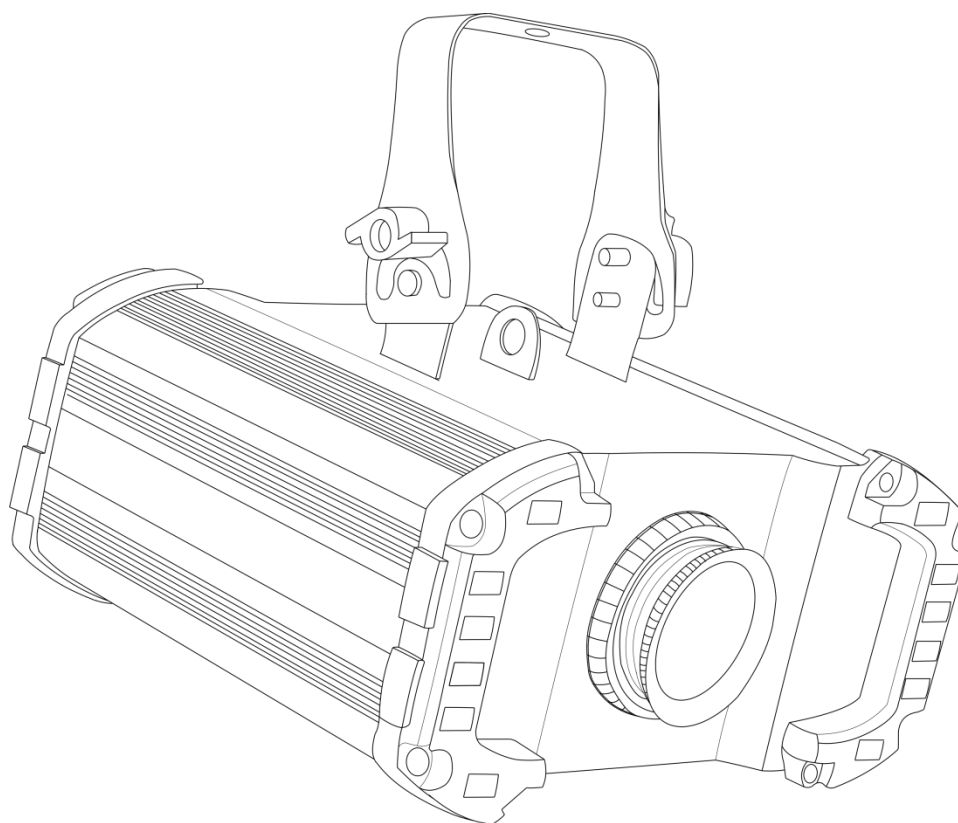




MANUAL



ENGLISH

Hydrogen DMX MKII

V1

Ordercode: 43151

Table of contents

Warning	2
Unpacking Instructions.....	2
Safety Instructions	2
Operating Determinations	4
Rigging	4
Connection with the mains.....	5
Return Procedure.....	6
Claims.....	6
Description of the device	7
Features	7
Overview	7
Backside.....	8
Installation	8
Set Up and Operation	9
Control Modes.....	9
One Hydrogen (Built-in Programs)	9
Multiple Hydrogens (Master/Slave Mode)	9
Multiple Hydrogens (DMX Control).....	10
Fixture Linking.....	11
Data Cabling.....	11
Control Panel.....	12
Control Mode	12
DMX Addressing.....	12
Menu Overview.....	13
Main Menu Options.....	14
1.Settings Menu	14
2.Built-in Programs.....	14
3.DMX Mode	15
4.Master/Slave Mode.....	15
DMX Channels.....	15
4 channels.....	15
Maintenance	16
Replacing the fuse.....	16
Troubleshooting	16
No Light.....	16
No Response to DMX.....	16
Product Specification	18
Dimensions	19
Notes	20

Warning



**For your own safety, please read this user manual carefully
before your initial start-up!**

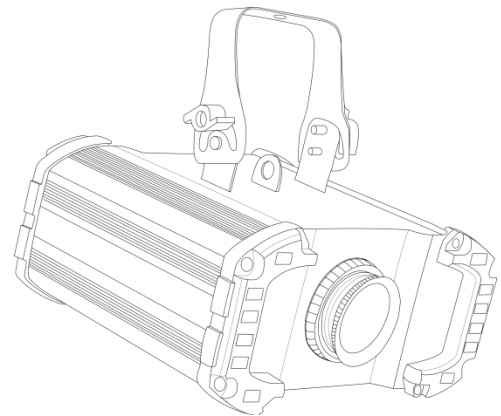


Unpacking Instructions

Immediately upon receiving this product, carefully unpack the carton and check the contents to ensure that all parts are present, and have been received in good condition. Notify the dealer immediately and retain packing material for inspection if any parts appear damaged from shipping or the carton itself shows signs of mishandling. Save the carton and all packing materials. In the event that a fixture must be returned to the factory, it is important that the fixture be returned in the original factory box and packing.

Your shipment includes:

- Showtec Hydrogen DMX MKII including a hanging bracket
- IEC power cable 1,5 m
- User manual



LED Expected Lifespan

LEDs gradually decline in brightness over time. HEAT is the dominant factor that leads to the acceleration of this decline. Packaged in clusters, LEDs exhibit higher operating temperatures than in ideal or singular optimum conditions. For this reason when all color LEDs are used at their fullest intensity, life of the LEDs is significantly reduced. If improving the device's lifespan expectancy is of higher priority, place care in providing for lower operational temperatures. This may include climatic-environmental and the reduction of overall projection intensity.



CAUTION!

**Keep this device away from rain and moisture!
Unplug mains lead before opening the housing!**



Safety Instructions

Every person involved with the installation, operation and maintenance of this device has to:

- be qualified
- follow the instructions of this manual



**CAUTION! Be careful with your operations.
With a dangerous voltage you can suffer
a dangerous electric shock when touching the wires!**



Before the initial start-up, please make sure that there is no damage caused by transportation. Should there be any, consult your dealer and do not use the device.

To maintain perfect condition and to ensure a safe operation, it is absolutely necessary for the user to follow the safety instructions and warning notes written in this manual.

Please consider that damages caused by manual modifications to the device are not subject to warranty.

This device contains no user-serviceable parts. Refer servicing to qualified technicians only.

IMPORTANT:

The manufacturer will not accept liability for any resulting damages caused by the non-observance of this manual or any unauthorized modification to the device.

- Never let the power cord come into contact with other cables! Handle the power cord and all connections with the mains with particular caution!
- Never remove warning or informative labels from the unit.
- Do not open the device and do not modify the device.
- Never use anything to cover the ground contact.
- Never leave the device running without a lamp!
- Never look directly into the light source.
- Never leave any cables lying around.
- Do not insert objects into air vents.
- Do not connect this device to a dimmerpack.
- Do not switch the device on and off in short intervals, as this would reduce the device's life.
- Do not shake the device. Avoid brute force when installing or operating the device. The Hydrogen DMX MKII reacts very sensitively to movement.
- Never use the device during thunderstorms, unplug the device immediately.
- Only use device indoor, avoid contact with water or other liquids.
- Do not touch the device's housing bare-handed during its operation (housing becomes hot).
- Only operate the device after having familiarized with its functions.
- Avoid flames and do not put close to flammable liquids or gases.
- Always keep case closed while operating.
- Always allow free air space of at least 50 cm around the unit for ventilation.
- Always disconnect power from the mains, when device is not used or before cleaning! Only handle the power cord by the plug. Never pull out the plug by tugging the power cord.
- Make sure that the device is not exposed to extreme heat, moisture or dust.
- Only install the device with the hanging bracket.
- Make sure that the available voltage is not higher than stated on the rear panel.
- Make sure that the power cord is never crimped or damaged. Check the device and the power-cord from time to time.
- If the external cable is damaged, it has to be replaced by a qualified technician.
- If the lens or glass is obviously damaged, it has to be replaced. So that its functions are not impaired, due to cracks or deep scratches.
- If device is dropped or struck, disconnect mains power supply immediately. Have a qualified engineer inspect for safety before operating.
- If the device has been exposed to drastic temperature fluctuation (e.g. after transportation), do not switch it on immediately. The arising condensation water might damage your device. Leave the device switched off until it has reached room temperature.
- If your Showtec device fails to work properly, discontinue use immediately. Pack the unit securely (preferably in the original packing material), and return it to your Showtec dealer for service.
- For adult use only. Light effect must be installed out of the reach of children. Never leave the unit running unattended.
- For replacement, use fuses of same type and rating only.
- The user is responsible for correct positioning and operating of the Hydrogen DMX MKII. The manufacturer will not accept liability for damages caused by the misuse or incorrect installation of this device.

- This device falls under protection class I. Therefore it is essential to connect the yellow/green conductor to earth.
- During the initial start-up some smoke or smell may arise. This is a normal process and does not necessarily mean that the device is defective.
- Repairs, servicing and electric connection must be carried out by a qualified technician.
- WARRANTY: Till one year after date of purchase.



Operating Determinations

- This device is not designed for permanent operation. Consistent operation breaks will ensure that the device will serve you for a long time without defects.
- The minimum distance between light-output and the illuminated surface must be more than 1 meter.
- The maximum ambient temperature $t_a = 45^{\circ}\text{C}$ must never be exceeded.
- The relative humidity must not exceed 50 % with an ambient temperature of 40°C .
- If this device is operated in any other way, than the one described in this manual, the product may suffer damages and the warranty becomes void.
- Any other operation may lead to dangers like short-circuit, burns, electric shock, crash etc.

You endanger your own safety and the safety of others!

Rigging

Please follow the European and national guidelines concerning rigging, trussing and all other safety issues.

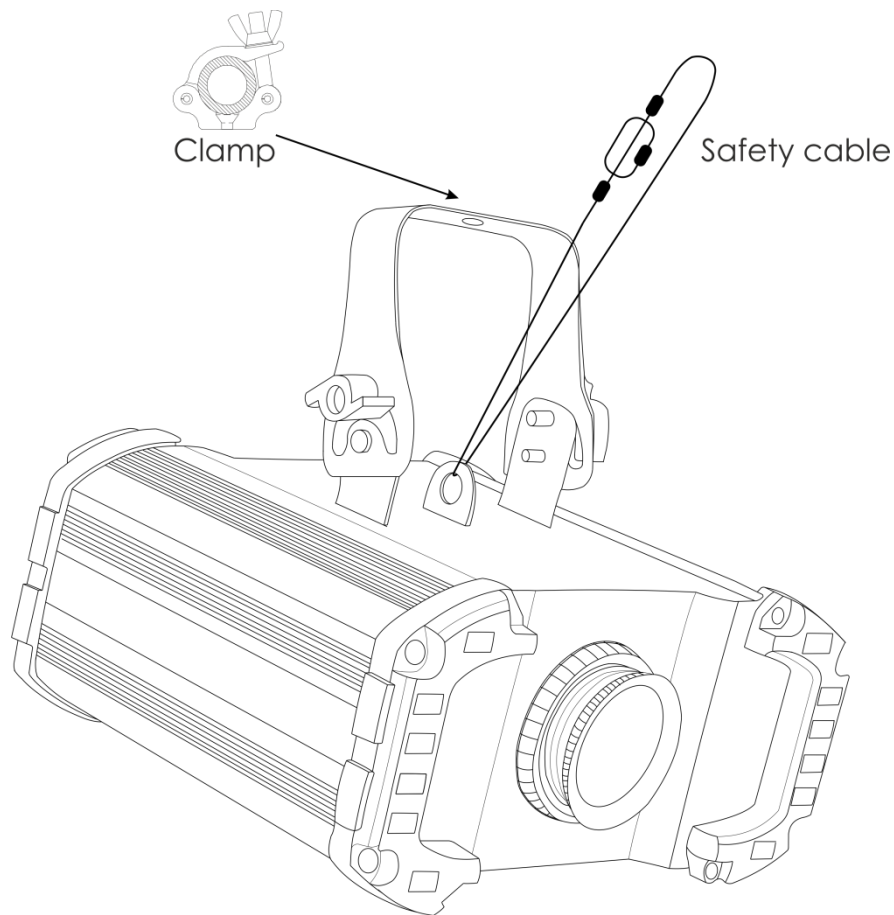
Do not attempt the installation yourself !

Always let the installation be carried out by an authorized dealer !

Procedure:

- If the projector is lowered from the ceiling or high joists, professional trussing systems have to be used.
- Use a clamp to mount the projector, with the mounting-bracket, to the trussing system.
- The projector must never be fixed swinging freely in the room.
- The installation must always be secured with a safety attachment, e.g. an appropriate safety net or a safety cable.
- When rigging, derigging or servicing the projector, always make sure, that the area below the installation place is blocked and staying in the area is forbidden.

Improper installation can cause serious injuries and damage of property !



Hydrogen DMX MKII can be fitted to any kind of truss, with a safety cable and a clamp.

Connection with the mains

Connect the device to the mains with the power-plug.

Always pay attention, that the right color cable is connected to the right place.

International	EU Cable	UK Cable	US Cable	Pin
L	BROWN	RED	YELLOW/COPPER	PHASE
N	BLUE	BLACK	SILVER	NEUTRAL
⊕	YELLOW/GREEN	GREEN	GREEN	PROTECTIVE GROUND

Make sure that the device is always connected properly to the earth!

Improper installation can cause serious damage to people and property!



Return Procedure

Returned merchandise must be sent prepaid and in the original packing, call tags will not be issued. Package must be clearly labeled with a Return Authorization Number (RMA number). Products returned without an RMA number will be refused. Highlite will not accept the returned goods or any responsibility. Call Highlite 0031-455667723 or mail aftersales@highlite.nl and request an RMA prior to shipping the fixture. Be prepared to provide the model number, serial number and a brief description of the cause for the return. Be sure to properly pack fixture, any shipping damage resulting from inadequate packaging is the customer's responsibility. Highlite reserves the right to use its own discretion to repair or replace product(s). As a suggestion, proper UPS packing or double-boxing is always a safe method to use.

Note: If you are given an RMA number, please include the following information on a piece of paper inside the box:

- 01) Your name
- 02) Your address
- 03) Your phone number
- 04) A brief description of the symptoms

Claims

The client has the obligation to check the delivered goods immediately upon delivery for any shortcomings and/or visible defects, or perform this check after our announcement that the goods are at their disposal. Damage incurred in shipping is the responsibility of the shipper; therefore the damage must be reported to the carrier upon receipt of merchandise.

It is the customer's responsibility to notify and submit claims with the shipper in the event that a fixture is damaged due to shipping. Transportation damage has to be reported to us within one day after receipt of the delivery.

Any return shipment has to be made post-paid at all times. Return shipments must be accompanied with a letter defining the reason for return shipment. Non-prepaid return shipments will be refused, unless otherwise agreed in writing.

Complaints against us must be made known in writing or by fax within 10 working days after receipt of the invoice. After this period complaints will not be handled anymore.

Complaints will only then be considered if the client has so far complied with all parts of the agreement, regardless of the agreement of which the obligation is resulting.

Description of the device

Features

The Showtec Hydrogen DMX MKII is a light effect with high output and great effects.

- Input voltage: 100-240V 50/60 Hz
- Continuous power: 30W
- Control: Built-in programs, DMX-512, Master/Slave
- Light source: 1 x 20W LED
- DMX control via standard DMX-controller
- 4 DMX channels
- Fixture Connection: XLR Data in/out (XLR 3-pin)
- 4-digit LED display
- Housing: Black Metal & Flame-retardant plastic
- Long LED lifetime
- Strobe: 20Hz
- Power connector: IEC In/Out
- Beam angle: 25°
- Plug & Play
- Manual focus
- Strong light output
- Device slowly switches between the colors: Red, Green, Blue, Purple, Yellow and White in a realistic water wave effect
- Fuse: T1AL/250V
- Dimensions: 275 x 250 x 135 mm LxWxH (excl. bracket)
- Weight: 3,5 Kg

Overview

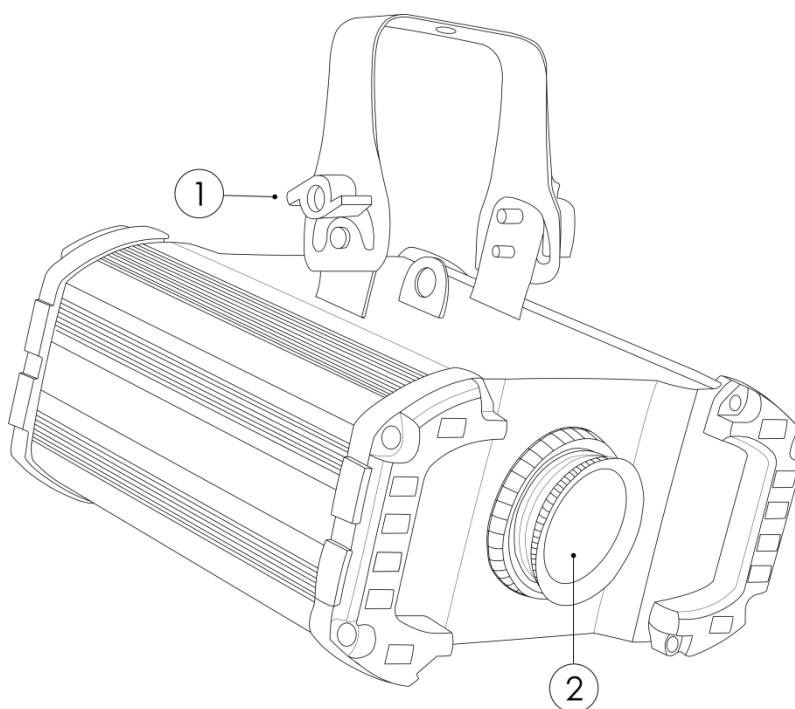


Fig. 01

- 01) Adjustment screw
- 02) Lens

Backside

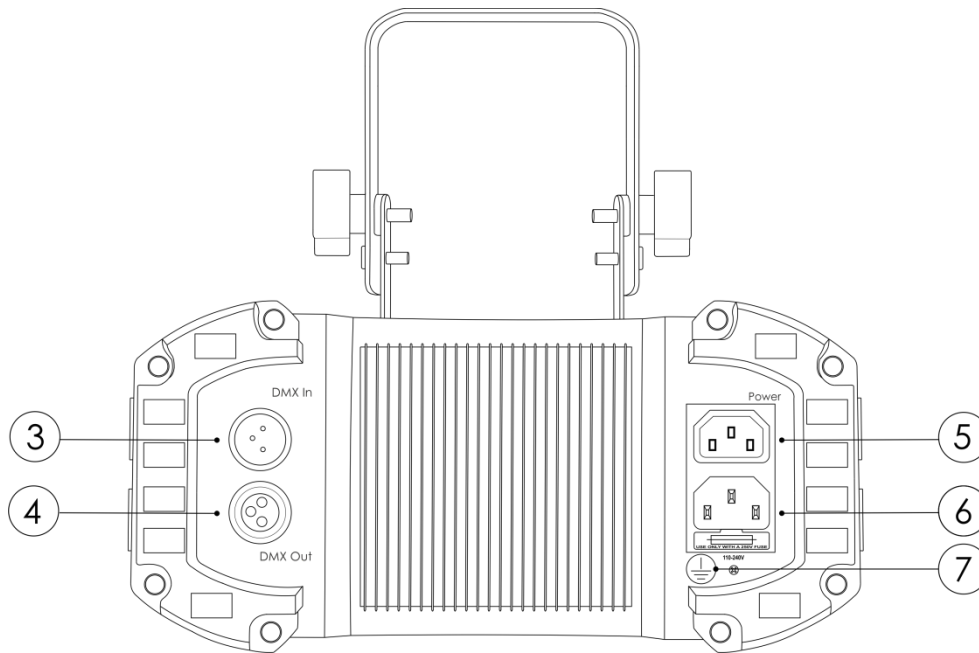


Fig. 02

- 03) DMX signal IN
- 04) DMX signal OUT
- 05) IEC Power OUT DC 100-240V
- 06) IEC Power IN DC 100-240V + Fuse T1AL/250V
- 07) Ground/earth connection

NOTE: Knowledge of DMX is required to fully utilize this unit.

Installation

Remove all packing materials from the Hydrogen DMX MKII. Check if all foam and plastic padding is removed. Connect all cables.

Do not supply power before the whole system is set up and connected properly.

Always disconnect from electric mains power supply before cleaning or servicing.

Damages caused by non-observance are not subject to warranty.

Set Up and Operation

Follow the directions below, as they pertain to your preferred operation mode.
Before plugging the unit in, always make sure that the power supply matches the product specification voltage. Do not attempt to operate a 120V specification product on 240V power, or vice versa.

Control Modes

There are 3 modes: Stand-alone (built-in programs)
Master/Slave
DMX-512 (4CH)

One Hydrogen (Built-in Programs)

- 01) Fasten the effect light onto firm trussing. Leave at least 1 meter on all sides for air circulation.
- 02) Always use a safety cable (ordercode 70140 / 70141).
- 03) Plug the end of the electric mains power cord into a proper electric power supply socket.
- 04) When the Hydrogen is not connected with a DMX cable, it functions as a stand-alone device.
- 05) Please see page 14-15 for more information about the built-in programs.

Multiple Hydrogens (Master/Slave Mode)

- 01) Fasten the effect light onto firm trussing. Leave at least 0,5 meter on all sides for air circulation.
- 02) Always use a safety cable (ordercode 70140 / 70141).
- 03) Plug the end of the electric mains power cord into a proper electric power supply socket.
- 04) Use a 3-pin XLR cable to connect the Hydrogens.

The pins:



- 01) Earth
- 02) Signal (-)
- 03) Signal (+)

Link the units as shown in fig. 3, connect a DMX signal cable from the first unit's DMX "out" socket to the second unit's "in" socket. Repeat this process to link the second, third, and fourth units. You can use the same functions on the master device as described on pages 14-15. This means that you can set your desired operation mode on the master device and all slave devices will react the same as the master device.

Multiple Hydrogens Master/Slave Set Up

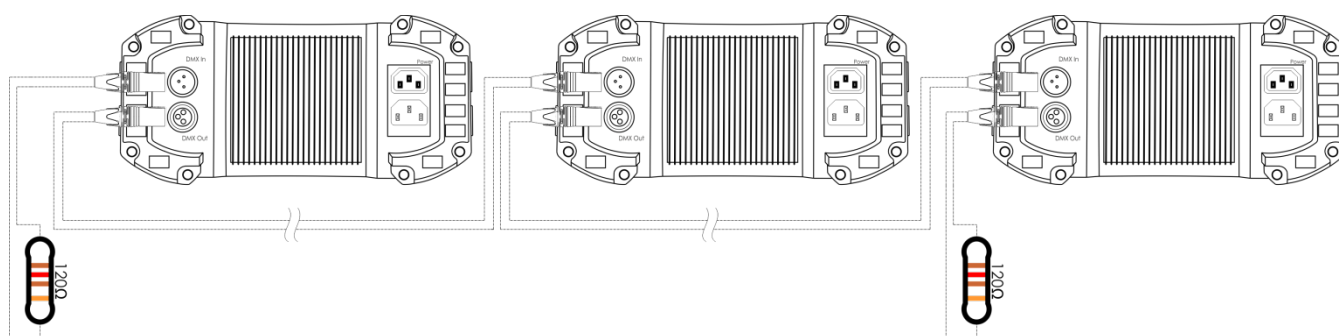
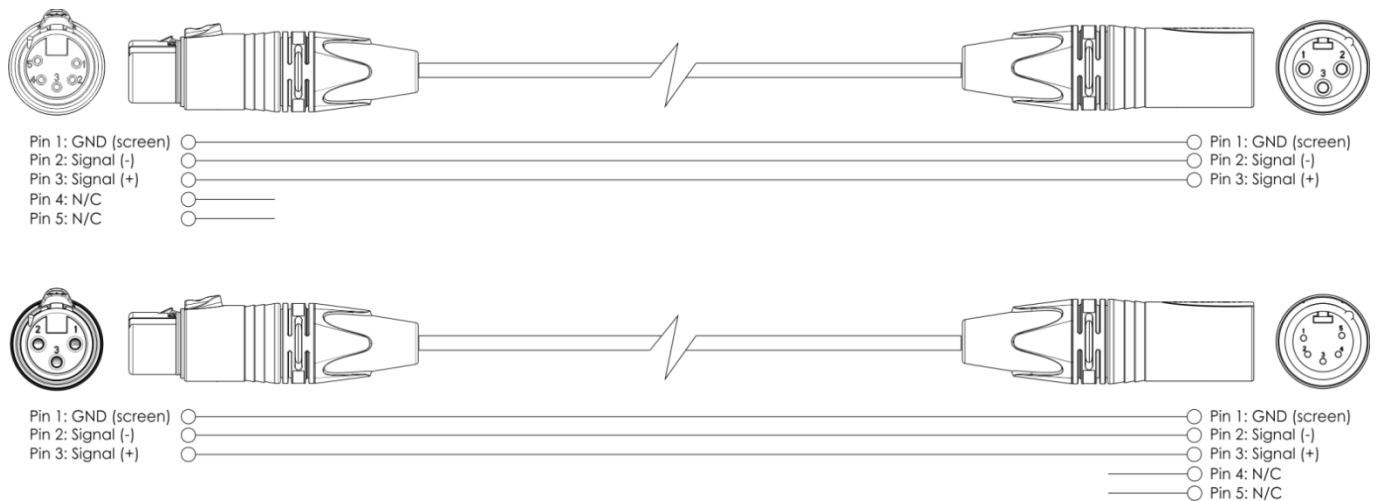


Fig. 03

Multiple Hydrogens (DMX Control)

- 01) Fasten the effect light onto firm trussing. Leave at least 1 meter on all sides for air circulation.
- 02) Always use a safety cable (ordercode 70140 / 70141).
- 03) Plug the end of the electric mains power cord into a proper electric power supply socket.
- 04) Use a 3-p XLR cable to connect the Hydrogens and other devices.



- 05) Link the units as shown in (Fig. 04), Connect a DMX signal cable from the first unit's DMX "out" socket to the second unit's "in" socket. Repeat this process to link the second, third, and fourth units.
- 06) Supply electric power: Plug electric mains power cords into each unit's IEC socket, then plug the other end of the mains power cord into proper electric power supply sockets, starting with the first unit. Do not supply power before the whole system is set up and connected properly.

Multiple Hydrogens DMX Set Up

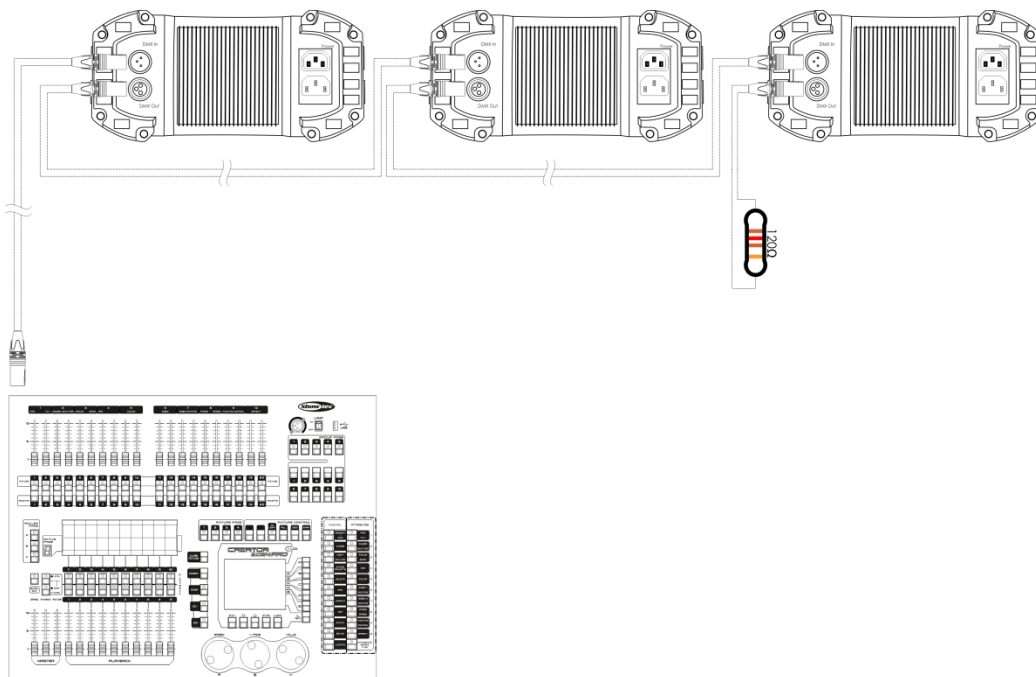


Fig. 04

Note: Link all cables before connecting electric power

Fixture Linking

You will need a serial data link to run light shows of one or more fixtures using a DMX-512 controller or to run synchronized shows on two or more fixtures set to a master/slave operating mode. The combined number of channels required by all the fixtures on a serial data link determines the number of fixtures the data link can support.

Important: Fixtures on a serial data link must be daisy chained in one single line. To comply with the EIA-485 standard no more than 30 devices should be connected on one data link. Connecting more than 30 fixtures on one serial data link without the use of a DMX optically isolated splitter may result in deterioration of the digital DMX signal.



Maximum recommended DMX data link distance: 100 meters

Maximum recommended number of Hydrogens on a DMX data link: 30 fixtures

Data Cabling

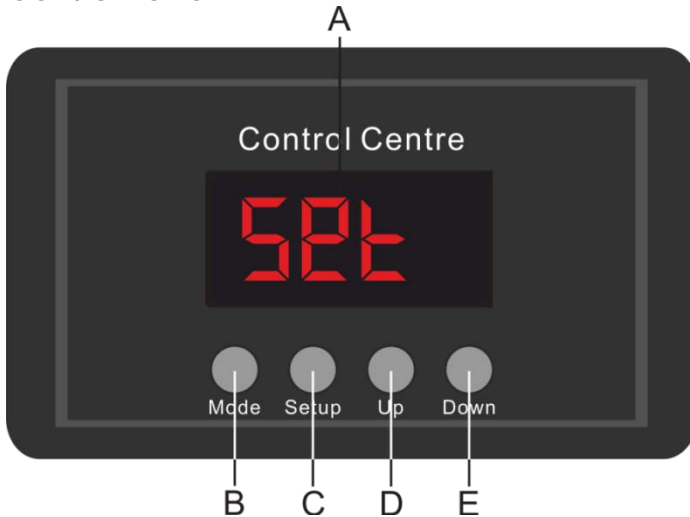
To link fixtures together you must obtain data cables. You can purchase DAP Audio certified DMX cables directly from a dealer/distributor or construct your own cable. If you choose to create your own cable please use data-grade cables that can carry a high quality signal and are less prone to electromagnetic interference.

DAP Audio Certified DMX Data Cables

- DAP Audio cable for allround use. bal. XLR/M 3 p. > XLR/F 3 p.
Ordercode FL01150 (1,5m.), FL013 (3m.), FL016 (6m.), FL0110 (10m.), FL0115 (15m.), FL0120 (20m.).
- DAP Audio cable for the demanding user with exceptional audio-qualities and connector made by Neutrik®. Ordercode FL71150 (1,5m.), FL713 (3m.), FL716 (6m.), FL7110 (10m.).

The Hydrogen can be operated with a controller in **control mode** or without the controller in **stand-alone mode**.

Control Panel



- A) LED display
- B) Mode button
- C) Setup button
- D) Up button
- E) Down button

Fig. 05

Control Mode

The fixtures are individually addressed on a data-link and connected to the controller. The fixtures respond to the DMX signal from the controller. (When you select the DMX address and save it, the controller will display the saved DMX address the next time.)

DMX Addressing

The control panel on the front side of the base allows you to assign the DMX fixture address, which is the first channel from which the Hydrogen will respond to the controller.

Please note when you use the controller, the unit has **4** channels.

When using multiple Hydrogens, make sure you set the DMX addresses right.

Therefore, the DMX address of the first Hydrogen should be **1(001)**; the DMX address of the second Hydrogen should be **1+4=5 (005)**; the DMX address of the third Hydrogen should be **5+4=9 (009)**, etc. Please, make sure that you do not have any overlapping channels in order to control each Hydrogen correctly. If two or more Hydrogens are addressed similarly, they will work similarly.

Controlling:

After having addressed all Hydrogen fixtures, you may now start operating these via your lighting controller.

Note: After switching on, the Hydrogen will automatically detect whether DMX 512 data is received or not. If there is no data received at the DMX-input, the "LED" on the control panel will not flash.

The problem may be:

- The XLR cable from the controller is not connected with the input of the Hydrogen.
- The controller is switched off or defective, the cable or connector is defective, or the signal wires are swapped in the input connector.

Note: It's necessary to insert a XLR termination plug (with 120 Ohm) in the last fixture in order to ensure proper transmission on the DMX data link.

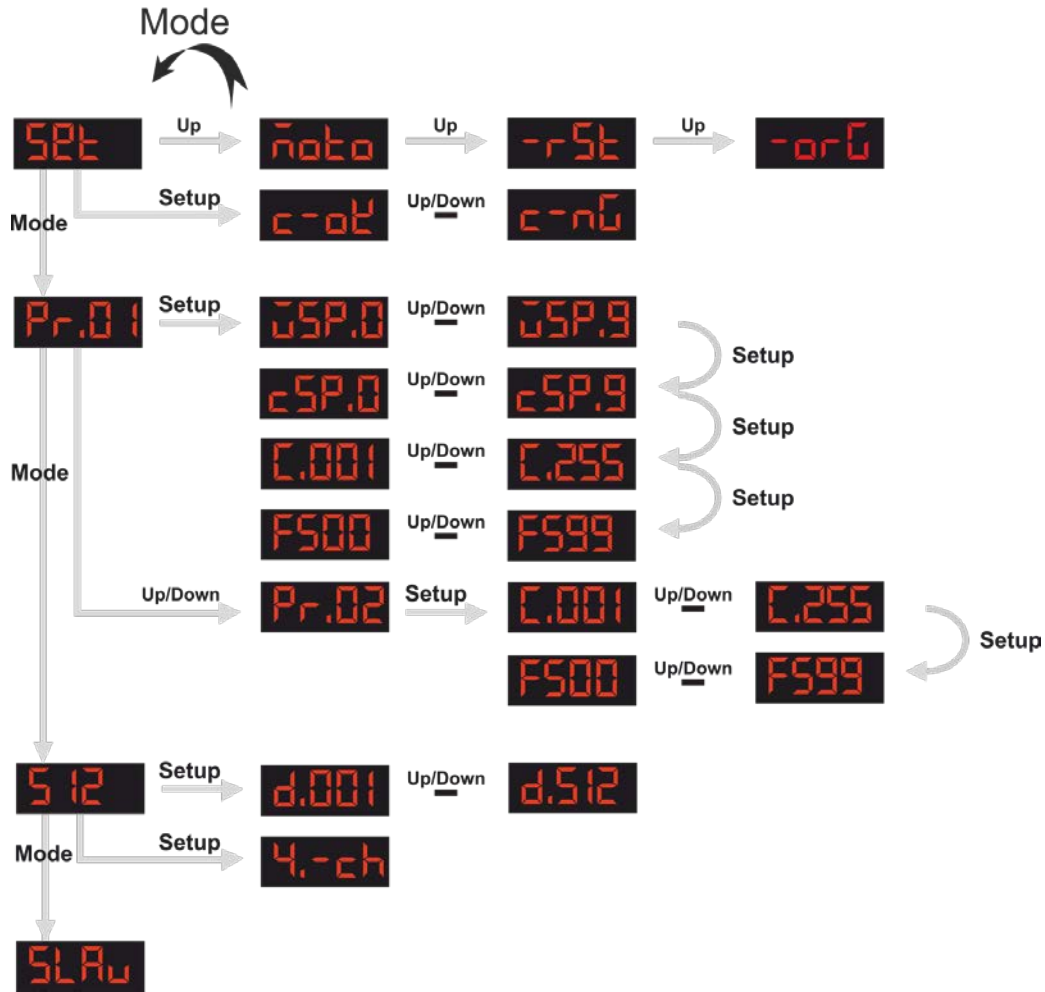
Display Off after 10 seconds

When no button is pressed for 10 seconds, the display will turn off.



To light up the display, you have to press the MODE, SETUP, UP or DOWN button.

Once you have pressed the button, the display will light up.

Menu Overview



Main Menu Options

	Settings Menu
	Built-in Programs
	DMX address
	Master/Slave Mode


Upon every start-up, the device will reset the software.  will appear on the display for a short period of time. Subsequently, the device will enter last active mode, before it was switched off.

1. Settings Menu

Press the MODE button until  appears on the display.

01) Press the Up or Down button to toggle between the three following menus:


02) 

While in this menu, press the **SETUP** button. The display will shortly flash. When it stops, the color wheel has been reset. If the reset process is not completed successfully,  will appear on the display. If this communicate persists, even if the fixture was turned off and on, the fixture is damaged and requires an inspection carried out by an authorized technician.

03) 

This menu is designed to reset the motor. Press the **SETUP** button and observe the display.

If  appears on the display, the reset process was not completed successfully.


If  appears on the display, the reset process was successful.

04) 

While in this menu, press the **SETUP** button and the fixture will restore the factory settings. The motor will reset, too.




2. Built-in Programs

With this menu you can you can set the built-in programs.

01) Press the **MODE** button and then the Up / Down buttons, until the display shows .



02) Press the **SETUP** button to open this menu.

03) You can use the **SETUP** button to scroll through the following settings and adjust them, if need be:

   Program's run speed, from **off** to full speed

   Color change speed, from **off** to a fast-paced change

   LED brightness, from **off** to very bright

   Strobe settings, 0 = **off**, 1-99 = from slow to a fast-paced strobe flash





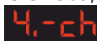
04) Press the **MODE** button and then the Up / Down buttons, until the display shows .

In this menu, it is not possible to adjust the program's run speed settings, as well as the color change settings. Nevertheless, the LED brightness and strobe settings remain adjustable, just as in case of




3. DMX Mode

With this menu you can set the DMX address.

- 01) Press the **MODE** button and then the Up and Down buttons, until the display shows .
- 02) Press the **SETUP** button to open this menu. You can choose 512 different DMX addresses.
- 03) Use the Up and Down buttons to select the required address from   . Once you have set the desired DMX address, you can also choose the desired DMX Mode.
- 04) Press **SETUP** button again until you see . It indicates that the fixture is equipped with four active DMX channels.

4. Master/Slave Mode

With this menu you can set the Master or Slave.

- 01) Press the **MODE** button and then the Up and Down buttons, until the display shows . If the device has not been set to slave, it is automatically classified as a master device. All slave devices will copy the actions of the master device. If the device has been set to slave, it will react the same as its master device.

DMX Channels

4 channels

Channel 1 – LED brightness

0-255	From dark to brightest
-------	------------------------

Channel 2 – Water effect

0-127	Water effect active, from slow to fast
128-255	Water effect inactive

Channel 3 – Water effect color change

0-127	Water effect color change active, from slow to fast
128-255	Water effect color change inactive

Channel 4 – LED strobe

0-9	LED strobe inactive
10-255	LED strobe active, from slow to fast flash

Maintenance

The Showtec Hydrogen DMX MKII requires almost no maintenance. However, you should keep the unit clean. Otherwise, the fixture's light-output will be significantly reduced. Disconnect the mains power supply, and then wipe the cover with a damp cloth. Do not immerse in liquid. Wipe lens clean with glass cleaner and a soft cloth. Do not use alcohol or solvents. Keep connections clean. Disconnect electric power, and then wipe the connections with a damp cloth. Make sure connections are thoroughly dry before linking equipment or supplying electric power.

The operator has to make sure that the safety related and machine-technical installations are to be inspected by an expert after every four years in the course of an acceptance test.

The operator has to make sure that safety-relating and machine-technical installations are to be inspected by a skilled person once a year.

The following points have to be considered during the inspection:

- 01) All screws used for installing the device or parts of the device have to be tightly connected and must not be corroded.
- 02) There may not be any deformations on housings, fixations and installation spots.
- 03) Mechanically moving parts like axles, eyes and others may not show any traces of wearing.
- 04) The electric power supply cables must not show any damages or material fatigue.

Replacing the fuse

Power surges, short-circuit or inappropriate electrical power supply may cause a fuse to burn out. If the fuse burns out, the product will not function whatsoever. If this happens, follow the directions below:

- 01) Unplug the unit from electric power source.
- 02) Insert a screwdriver into the slot in the fuse cover. Gently pry up the fuse cover. The fuse will come out.
- 03) Remove the used fuse. If brown or unclear, it is burned out.
- 04) Insert the replacement fuse into the holder where the old fuse was. Reinsert the fuse cover. Be sure to use a fuse of the same type and specification. See the product specification label for details.

Troubleshooting

No Light

This troubleshooting guide is meant to help solve simple problems.

If a problem occurs, carry out the steps below in sequence until a solution is found. Once the unit operates properly, do not carry out following steps.

If the light effect does not operate properly, refer servicing to a technician.

Response: Suspect three potential problem areas: the power supply, the LEDs, the fuse.

- 01) Power supply. Check that the unit is plugged into an appropriate power supply.
- 02) The LEDs. Return the Hydrogen DMX MKII to your Showtec dealer.
- 03) The fuse. Replace the fuse. See above, for replacing the fuse.
- 04) If all of the above appears to be O.K., plug the unit in again.
- 05) If you are unable to determine the cause of the problem, do not open the Hydrogen DMX MKII, as this may damage the unit and the warranty will become void.
- 06) Return the device to your Showtec dealer.

No Response to DMX

Response: Suspect the DMX cable or connectors, a controller malfunction, a light effect DMX card malfunction.

- 01) Check the DMX setting. Make sure that DMX addresses are correct.
- 02) Check the DMX cable: Unplug the unit; change the DMX cable; then reconnect to electrical power. Try your DMX control again.
- 03) Determine whether the controller or the light effect is at fault. Does the controller operate properly with other DMX products? If not, take the controller in for repair. If so, take the DMX cable and the light effect to a qualified technician.

Problem	Probable cause(s)	Solution
One or more fixtures do not function at all	No power to the fixture	<ul style="list-style-type: none"> Check if power is switched on and cables are plugged in
	Primary fuse blown	<ul style="list-style-type: none"> Replace fuse
Fixtures reset correctly, but all respond erratically or not at all to the controller	The controller is not connected.	<ul style="list-style-type: none"> Connect controller.
	3-pin XLR Out of the controller does not match XLR Out of the first fixture on the link (i.e. signal is reversed)	<ul style="list-style-type: none"> Install a phase reversing cable between the controller and the first fixture on the link
Fixtures reset correctly, but some respond erratically or not at all to the controller	Poor data quality	<ul style="list-style-type: none"> Check data quality. If much lower than 100 percent, the problem may be a bad data link connection, poor quality or broken cables, missing termination plug, or a defective fixture disturbing the link
	Bad data link connection	<ul style="list-style-type: none"> Inspect connections and cables. Correct poor connections. Repair or replace damaged cables
	Data link not terminated with 120 Ohm termination plug	<ul style="list-style-type: none"> Insert termination plug in output jack of the last fixture on the link
	Incorrect addressing of the fixtures	<ul style="list-style-type: none"> Check address setting
	One of the fixtures is defective and disturbs data transmission on the link	<ul style="list-style-type: none"> Bypass one fixture at a time until normal operation is restored: unplug both connectors and connect them directly together. Have the defective fixture serviced by a qualified technician
Shutter closes suddenly	3-pin XLR Out on the fixtures does not match (pins 2 and 3 reversed)	<ul style="list-style-type: none"> Install a phase-reversing cable between the fixtures or swap pin 2 and 3 in the fixture that behaves erratically
	The color wheel, gobowheel or a gobo has lost its index position and the fixture is resetting the effect	<ul style="list-style-type: none"> Contact a technician for servicing if the problem persists
No light or lamp cuts out intermittently	Fixture is too hot	<ul style="list-style-type: none"> Allow the fixture to cool down Clean the fan Make sure air vents in control panel and the front lens are not blocked Turn up the air conditioning
	LEDs damaged	<ul style="list-style-type: none"> Disconnect the fixture and return it to your dealer
	The power supply settings do not match local AC voltage and frequency	<ul style="list-style-type: none"> Disconnect fixture. Check settings and correct if necessary

Product Specification

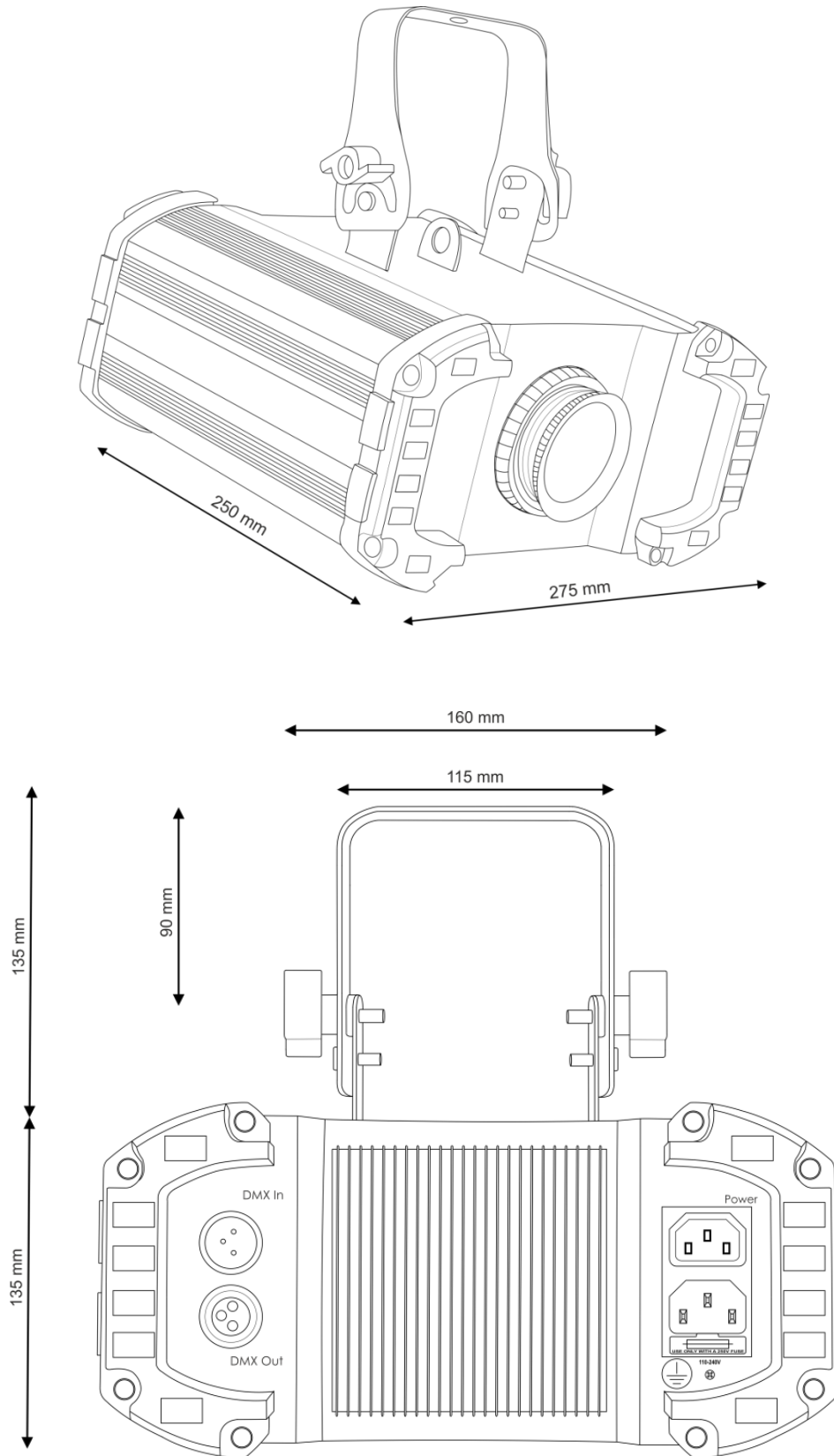
Model:	Showtec Hydrogen DMX MKII
Input Voltage:	100-240V 50/60 Hz
Continuous Power:	30 Watt
Fuse:	T1AL/250V
Dimensions:	275 x 250 x 135 mm LxWxH (excl. bracket)
Weight:	3,5 Kg
Operation and Programming	
Signal pin OUT:	pin 1 earth, pin 2 (-), pin 3 (+)
Set Up and Addressing:	LED control panel
DMX Channels:	4 channels
Signal input:	3-pin XLR male
Signal output:	3-pin XLR female
Electro-mechanical effects	
Colour range:	Red, Green, Blue, Yellow, Purple, White
Mounting:	Mounting bracket
DMX-control:	Via standard DMX-controller
On Board:	Display for easy set up
Control:	DMX-512, Built-in Programs, Auto, Manual color, Master/Slave
Light Source:	1 x 20W LED
Beam Angle:	25°
Strobe:	0-20Hz
Housing:	Black Metal & Flame-retardant plastic
Connections:	Dedicated IEC Power & Data connector
Cooling:	Convection (no fans) which eliminates the use of fans and noise
Max. ambient temperature t_a :	40°C
Max. housing temperature t_B :	80°C
Minimum distance:	
Minimum distance from flammable surfaces:	0.5m
Minimum distance to lighted object:	1m

Design and product specifications are subject to change without prior notice.



Website: www.Showtec.info
 Email: service@highlite.nl

Dimensions





©2014 Showtec