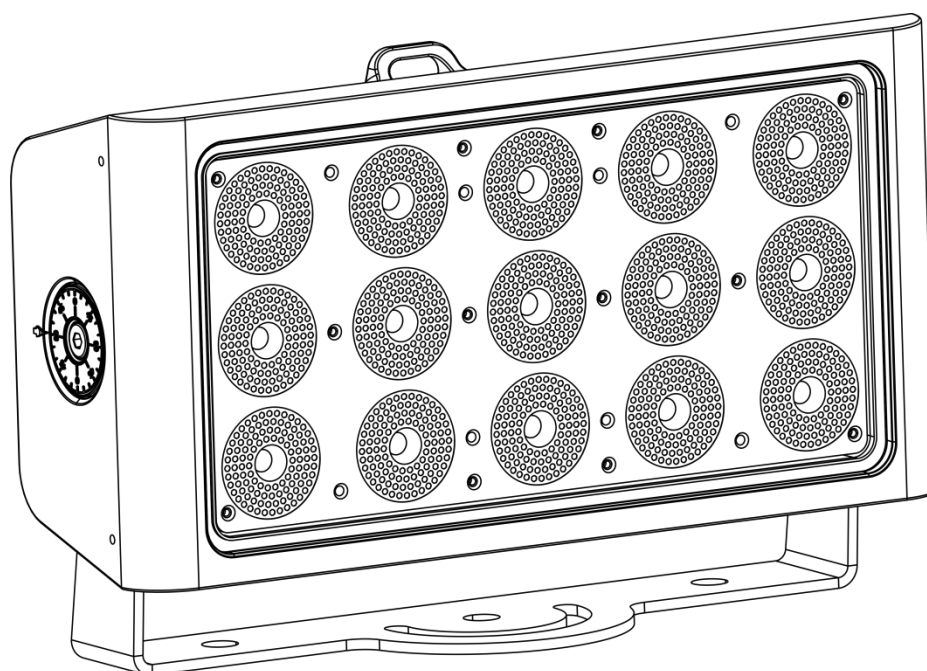




**MANUAL**



**ENGLISH**

**Cameleon Flood 15 Q4**

**V2**

**Ordercode: 42671**

**Table of contents**

<b>Warning</b> .....	2
Safety Instructions .....	2
Operating Determinations .....	4
Rigging .....	4
Connection with the mains.....	5
Return Procedure .....	6
Claims.....	6
<b>Description of the device</b> .....	7
Optional accessories.....	7
Overview .....	8
Backside .....	8
<b>Installation</b> .....	9
<b>Set Up and Operation</b> .....	9
Control Modes.....	9
One Cameleon Flood (Auto program) .....	9
One Cameleon Flood (Built-in programs) .....	9
One Cameleon Flood (Manual Color mode) .....	9
Multiple Cameleon Floods (Master/Slave control) .....	10
Multiple Cameleon Floods (DMX Control) .....	11
Fixture Linking .....	12
Data Cabling .....	12
Control Panel .....	13
Control Mode .....	13
DMX Addressing .....	13
Menu Overview .....	14
Main Menu Options .....	15
1. Auto program.....	15
2. Built-in programs .....	15
3. DMX Address/ DMX Configuration.....	16
4. Master/slave .....	16
5. Manual Color mode .....	16
6. Settings.....	17
6.1. Curves Select .....	17
6.2. Dimmer Speed .....	17
6.3. Dmx Fail .....	18
6.4. Dmx Sync .....	18
6.5. Lock.....	18
6.6. Factory.....	18
7. Information.....	18
DMX Channels.....	19
4 DMX Channels.....	19
6 DMX Channels.....	19
10 DMX Channels.....	19
<b>Maintenance</b> .....	21
<b>Troubleshooting</b> .....	21
No Light .....	21
No Response to DMX.....	22
<b>Product Specifications</b> .....	23
<b>Dimensions</b> .....	24
<b>Notes</b> .....	25

## Warning



**For your own safety, please read this user manual carefully  
before your initial start-up!**

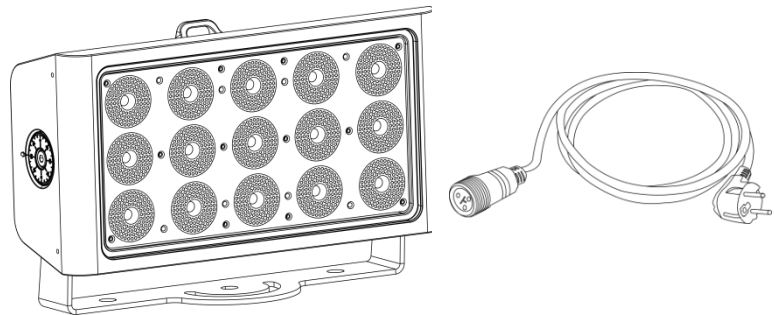


## Unpacking Instructions

Immediately upon receiving this product, carefully unpack the carton and check the contents to ensure that all parts are present, and have been received in good condition. Notify the dealer immediately and retain packing material for inspection if any parts appear damaged from shipping or the carton itself shows signs of mishandling. Save the carton and all packing materials. In the event that a fixture must be returned to the factory, it is important that the fixture be returned in the original factory box and packing.

### Your shipment includes:

- Showtec Cameleon Flood 15 Q4
- 1x Schuko to 3-pins (IP-65 ) Power cable 1,5m
- User manual



## LED Expected Lifespan

LEDs gradually decline in brightness over time. HEAT is the dominant factor that leads to the acceleration of this decline. Packaged in clusters, LEDs exhibit higher operating temperatures than in ideal or singular optimum conditions. For this reason, when all color LEDs are used at their fullest intensity, life of the LEDs is significantly reduced. If improving the lifespan is of higher priority, place care in providing for lower operational temperatures. This may include climatic-environmental and the reduction of overall projection intensity.



### CAUTION!

**Keep this device away from rain and moisture!  
Unplug mains lead before opening the housing!**



## Safety Instructions

Every person involved with the installation, operation and maintenance of this device has to:

- be qualified
- follow the instructions of this manual



**CAUTION! Be careful with your operations.  
With a dangerous voltage you can suffer  
a dangerous electric shock when touching the wires!**



Before the initial start-up, please make sure that there is no damage caused by transportation. Should there be any, consult your dealer and do not use the device.

To maintain perfect condition and to ensure a safe operation, it is absolutely necessary for the user to follow the safety instructions and warning notes contained in this manual.

Please consider that damages caused by manual modifications to the device are not subject to warranty.

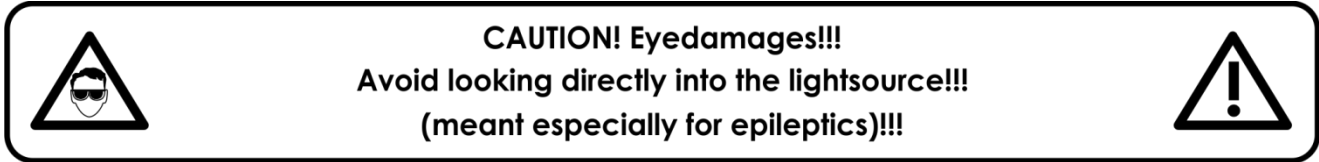
This device contains no user-serviceable parts. Refer servicing to qualified technicians only.

### **IMPORTANT:**

The manufacturer will not accept liability for any resulting damages caused by the non-observance of this manual or any unauthorized modification to the device.

- Never let the power cord come into contact with other cables! Handle the power cord and all connections with the mains with particular caution!
- Never remove warning or informative labels from the unit.
- Never use anything to cover the ground contact.
- Never lift the fixture holding it by the projector-head, as the mechanics may be damaged. Always hold the fixture by the transport handles.
- Never place any material over the lens.
- Never look directly into the light source.
- Never leave any cables lying around.
- Do not insert objects into air vents.
- Do not connect this device to a dimmerpack.
- Do not switch the device on and off in short intervals, as this will reduce the device's life.
- Do not touch the device's housing bare-handed during its operation (housing becomes very hot). Allow the fixture to cool for at least 5 minutes before handling.
- Do not shake the device. Avoid brute force when installing or operating the device.
- Only operate the fixture after having checked if the housing is firmly closed and all screws are tightly fastened.
- Only operate the device after having familiarized with its functions.
- Avoid flames and do not put close to flammable liquids or gases.
- Always keep the case closed while operating.
- Always allow a free air space of at least 50 cm around the unit for ventilation.
- Always disconnect power from the mains, when device is not used or before cleaning! Only handle the power cord holding it by the plug. Never pull out the plug by tugging the power cord.
- Make sure that the device is not exposed to extreme heat, moisture or dust.
- Make sure that the available voltage is not higher than stated on the rear panel.
- Make sure that the power cord is never crimped or damaged. Check the device and the power cord from time to time.
- If the lens is obviously damaged, it has to be replaced.
- If device was dropped or struck, disconnect mains power supply immediately. Have a qualified engineer inspect for safety before operating.
- If the device has been exposed to drastic temperature fluctuation (e.g. after transportation), do not switch it on immediately. The arising condensation water might damage your device. Leave the device switched off until it has reached room temperature.
- If your Showtec device fails to work properly, discontinue the use immediately. Pack the unit securely (preferably in the original packing material), and return it to your Showtec dealer for service.
- For adult use only. The fixture must be installed beyond the reach of children. Never leave the unit running unattended.
- Never attempt to bypass the thermostatic switch or fuses.
- For replacement use fuses of same type and rating only.

- The user is responsible for correct positioning and operating of the Cameleon Flood 15 Q4. The manufacturer will not accept liability for damages caused by the misuse or incorrect installation of this device.
- This device falls under protection class I. Therefore it is essential to connect the yellow/green conductor to earth.
- Repairs, servicing and electric connection must be carried out by a qualified technician.
- WARRANTY: Till one year after date of purchase.



### Operating Determinations

- This device is not designed for permanent operation. Consistent operation breaks will ensure that the device will serve you for a long time without defects.
- The minimum distance between light output and the illuminated surface must be bigger than 1 meter.
- The maximum ambient temperature  $t_a = 40^\circ\text{C}$  must never be exceeded.
- The relative humidity must not exceed 50 % with an ambient temperature of  $40^\circ\text{C}$ .
- If this device is operated in any other way than the one described in this manual, the product may suffer damages and the warranty becomes void.
- Any other operation may lead to dangers like short-circuit, burns, electric shock, crash, etc.

You endanger your own safety and the safety of others!

### Rigging

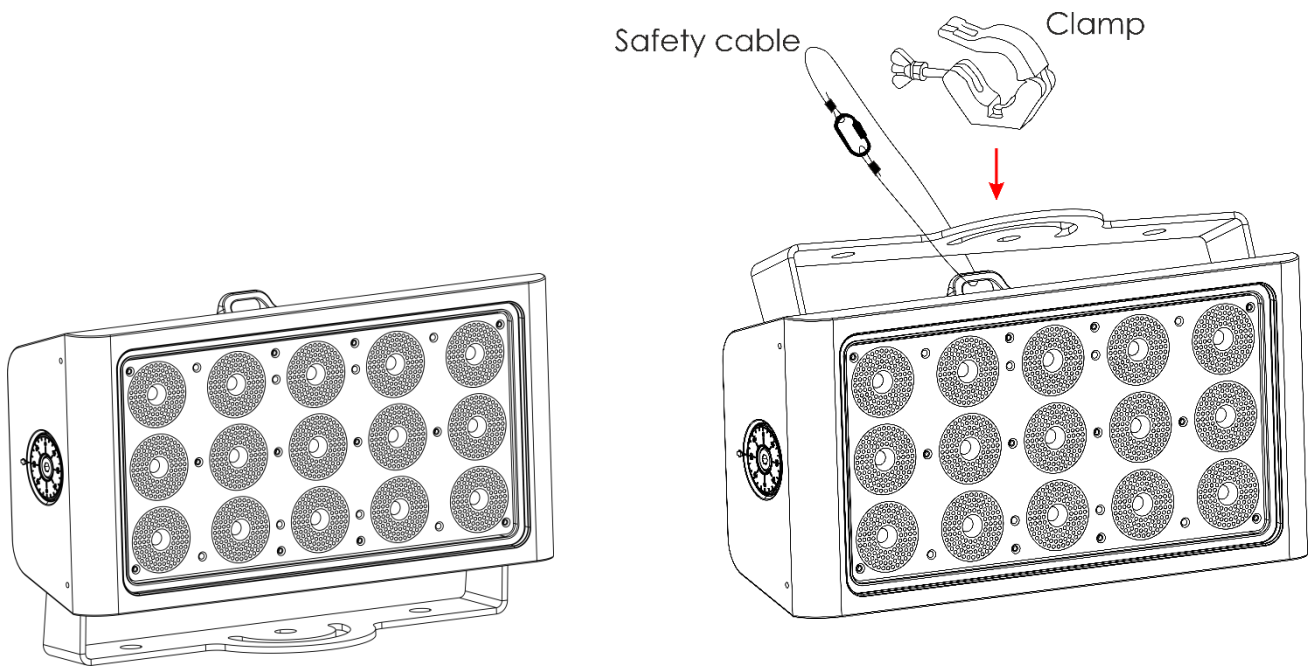
Please follow the European and national guidelines concerning rigging, trussing and all other safety issues.

Do not attempt the installation yourself !

Always let the installation be carried out by an authorized dealer !

### Procedure:

- If the Cameleon Flood is lowered from the ceiling or high joists, professional trussing systems have to be used.
- Use a clamp to mount the Cameleon Flood, with the mounting bracket, to the trussing system.
- The Cameleon Flood must never be fixed swinging freely in the room.
- The installation must always be secured with a safety attachment, e.g. an appropriate safety net or safety cable.
- When rigging, derigging or servicing the Cameleon Flood, always make sure, that the area below the installation site is secured and that there are not any unauthorized people around.



The Cameleon Flood 15 Q4 can be placed on a flat stage floor or mounted to any kind of truss with a clamp.

Improper installation can cause serious injuries and/or damage of property!

**Connection with the mains**

Connect the device to the mains with the power-plug.  
Always check if the right color cable is connected to the right place.

International	EU Cable	UK Cable	US Cable	Pin
L	BROWN	RED	YELLOW/COPPER	PHASE
N	BLUE	BLACK	SILVER	NEUTRAL
	YELLOW/GREEN	GREEN	GREEN	PROTECTIVE GROUND

*Make sure that the device is always properly connected to the earth!*

*Improper installation can cause serious injuries and/or damage of property!*





### Return Procedure



Returned merchandise must be sent prepaid and in the original packing, call tags will not be issued. Package must be clearly labeled with a Return Authorization Number (RMA number). Products returned without an RMA number will be refused. Highlite will not accept the returned goods or any responsibility. Call Highlite 0031-455667723 or mail [aftersales@highlite.nl](mailto:aftersales@highlite.nl) and request an RMA prior to shipping the fixture. Be prepared to provide the model number, serial number and a brief description of the cause for the return. Be sure to properly pack fixture, any shipping damage resulting from inadequate packaging is the customer's responsibility. Highlite reserves the right to use its own discretion to repair or replace product(s). As a suggestion, proper UPS packing or double-boxing is always a safe method to use.

**Note: If you are given an RMA number, please include the following information on a piece of paper inside the box:**

- 01) Your name
- 02) Your address
- 03) Your phone number
- 04) A brief description of the symptoms

### Claims

The client has the obligation to check the delivered goods immediately upon delivery for any shortcomings and/or visible defects, or perform this check after our announcement that the goods are at their disposal. Damage incurred in shipping is the responsibility of the shipper; therefore the damage must be reported to the carrier upon receipt of merchandise.

It is the customer's responsibility to report and submit claims with the shipper in the event that a fixture is damaged due to shipping. Transportation damage has to be reported to us within one day after receipt of the delivery.

Any return shipment has to be made post-paid at all times. Return shipments must be accompanied with a letter defining the reason for return shipment. Non-prepaid return shipments will be refused, unless agreed otherwise in writing.

Complaints against us must be prepared in writing or sent by fax within 10 working days after receipt of the invoice. After this period complaints will not be handled anymore.

Complaints will only then be considered if the client has so far complied with all parts of the agreement, regardless of the agreement from which the obligation is resulting.

## Description of the device

---

### Features

The Cameleon Flood 15 Q4 is a wall washer with great output and effects. It is an extension on our Cameleon series. It's an indoor and outdoor solution for illumination of numerous objects.

- Plug and Play
- RGBW 4-in-1 Color mixing
- Touch display
- XLR 3-pin to mini 3-pin cable ([42708](#)) to connect the Cameleon to DMX, not included!
- Input voltage: 100-240V, 50/60Hz
- Power consumption: 115W @FO
- Drive current: 350mA
- Refresh rate: 4000Hz
- DMX Mode: 4, 6 or 10 Channels
- Colour range: 16,7 million additive colors
- Light source: 15x 5W 4-in-1 RGBW ProLight Opto Hornet Series
- Lux @2m: Red: 800 Lumen  
Green: 1040 Lumen  
Blue: 328 Lumen  
White: 1505 Lumen  
Full Output: 3434 Lumen
- Beam Angle: 39°
- Max. distance: 20m
- Protection rate: IP-65
- Lens Plate: Tempered Glass
- Control: DMX / Auto Program / Built-in programs / Master-slave/ Manual
- Dimmer: 0-100%
- Strobe: 0-15Hz
- Housing: Die-Cast Black Aluminum
- Cooling: Convection (no fans)
- Connections: Dedicated Power cable IP-65 IN/OUT & Data IP-65 IN/OUT
- Dimensions: 330 x 100 x 210 mm (LxWxH incl. bracket)
- Weight: 5,2 kg

### Optional accessories

[42698](#) Power end cap set Male/female for Cameleon series

[42699](#) Data end cap set Male/female for Cameleon series

[42705](#) Power Extension cable for Cameleon series (3m)

[42706](#) Power connection cable for Cameleon series (3m)

[42707](#) DMX Extension cable for Cameleon series (3m)

[427076](#) DMX Extension cable for Cameleon series (6m)

[42708](#) DMX Input cable for Cameleon series (3m)



Please make sure to obtain the XLR 3-pin to mini 3-pin cable ([42708](#)) to connect the device to DMX.



## Overview

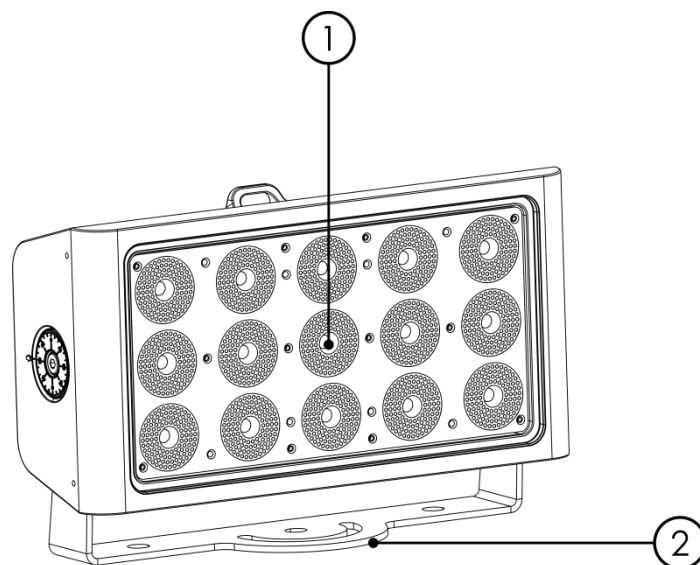


Fig. 01

- 01) 15x 5W 4-in-1 RGBW ProLight Opto Hornet Series
- 02) Mounting bracket

## Backside

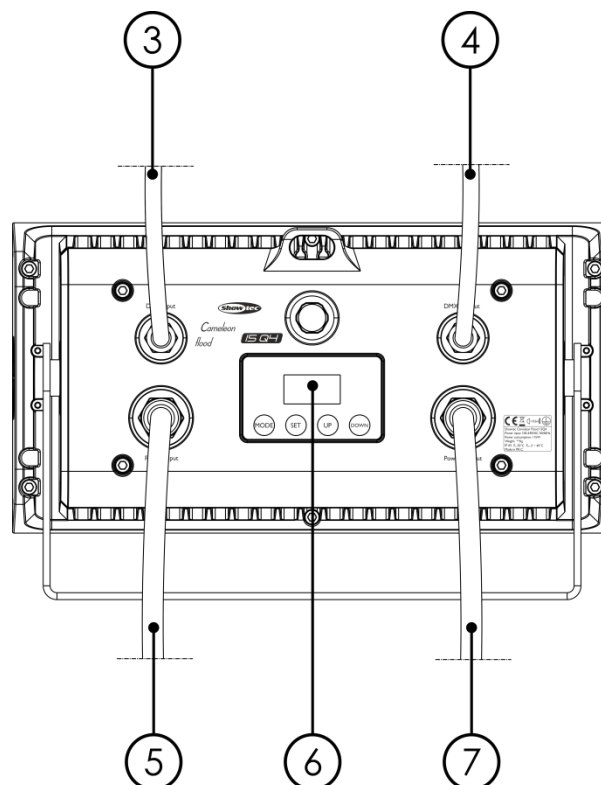


Fig. 02

- 03) Special mini 3-pin DMX cable IN IP-65
- 04) Special mini 3-pin DMX cable OUT IP-65
- 05) Special mini 3-pin power cable IN IP-65
- 06) OLED Display + control buttons
- 07) Special mini 3-pin power cable OUT IP-65

## Installation

---

Remove all packing materials from the Cameleon Flood 15 Q4. Check if all foam and plastic padding is removed. Connect all cables.

**Do not supply power before the whole system is set up and connected properly.**

**Always disconnect from electric mains power supply before cleaning or servicing.**

**Damages caused by non-observance are not subject to warranty.**

## Set Up and Operation

---

Follow the directions below, as they pertain to your preferred operation mode.

Before plugging the unit in, always make sure that the power supply matches the product specification voltage. Do not attempt to operate a 120V specification product on 230V power, or vice versa.

### Control Modes

There are 5 modes:

- Auto program
- Built-in programs
- Manual Color mode
- Master/slave
- DMX-512 (4CH, 6CH, 10CH)

#### One Cameleon Flood (Auto program)

- 01) Fasten the effect light onto firm trussing. Leave at least 0,5 meter on all sides for air circulation.
- 02) Always use a safety cable (ordercode 70140 / 70141).
- 03) Plug the end of the electric mains power cord into a proper electric power supply socket.
- 04) When the Cameleon Flood is not connected with a DMX cable, it functions as a stand-alone device. Please see page 15 for more information about the Auto program.

#### One Cameleon Flood (Built-in programs)

- 01) Fasten the effect light onto firm trussing. Leave at least 0,5 meter on all sides for air circulation.
- 02) Always use a safety cable (ordercode 70140 / 70141).
- 03) Plug the end of the electric mains power cord into a proper electric power supply socket.
- 04) When the Cameleon Flood is not connected with a DMX cable, it functions as a stand-alone device. Please see page 15 for more information about the Built-in programs.

#### One Cameleon Flood (Manual Color mode)

- 01) Fasten the effect light onto firm trussing. Leave at least 0,5 meter on all sides for air circulation.
- 02) Always use a safety cable (ordercode 70140 / 70141).
- 03) Plug the end of the electric mains power cord into a proper electric power supply socket.
- 04) When the Cameleon Flood is not connected with a DMX cable, it functions as a stand-alone device. Please see page 16 for more information about the Manual Color mode.

## Multiple Cameleon Floods (Master/Slave control)

- 01) Fasten the effect light onto firm trussing. Leave at least 0,5 meter on all sides for air circulation.
- 02) Always use a safety cable (ordercode 70140 / 70141).
- 03) Use a 3-p XLR cable to connect the Cameleon Floods and other devices.

The pins:



- 1. Earth
- 2. Signal (-)
- 3. Signal (+)

- 04) Link the units as shown in Fig. 03. Connect the first unit's DMX "out" socket with the second unit's "in" socket, using the [42707/427076](#) – DMX Extension cable. Link the second and third units using the [42707/427076](#) – DMX Extension cable.

You can use the same functions on the master device as described on pages 15 and 16 (Auto program, Built-in programs, Manual Color mode). This means that you can set your desired operation mode on the master device and all slave devices will react the same as the master device.

## Multiple Cameleon Floods (Master/Slave control)

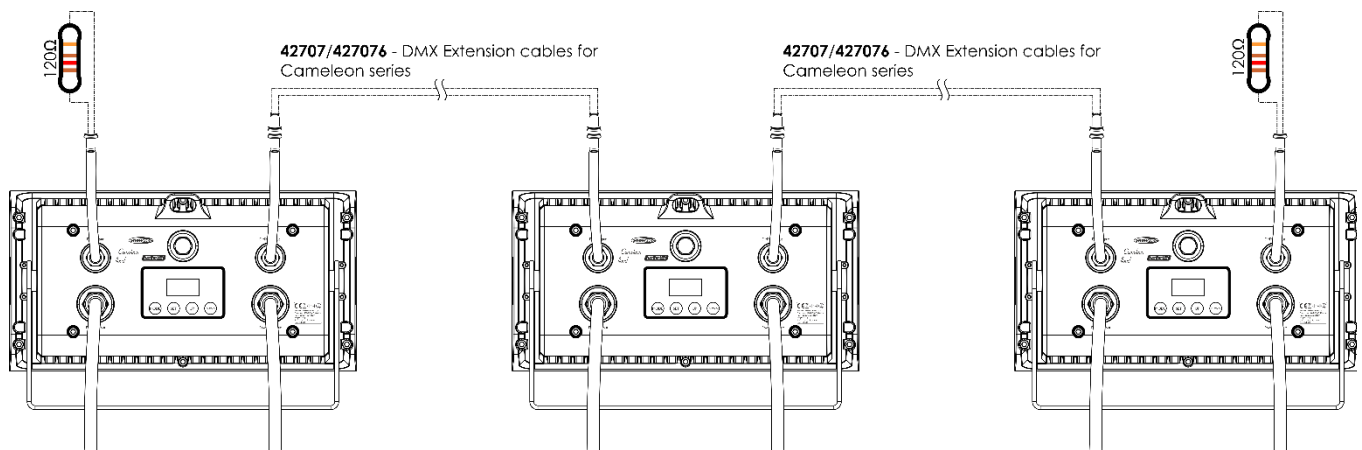
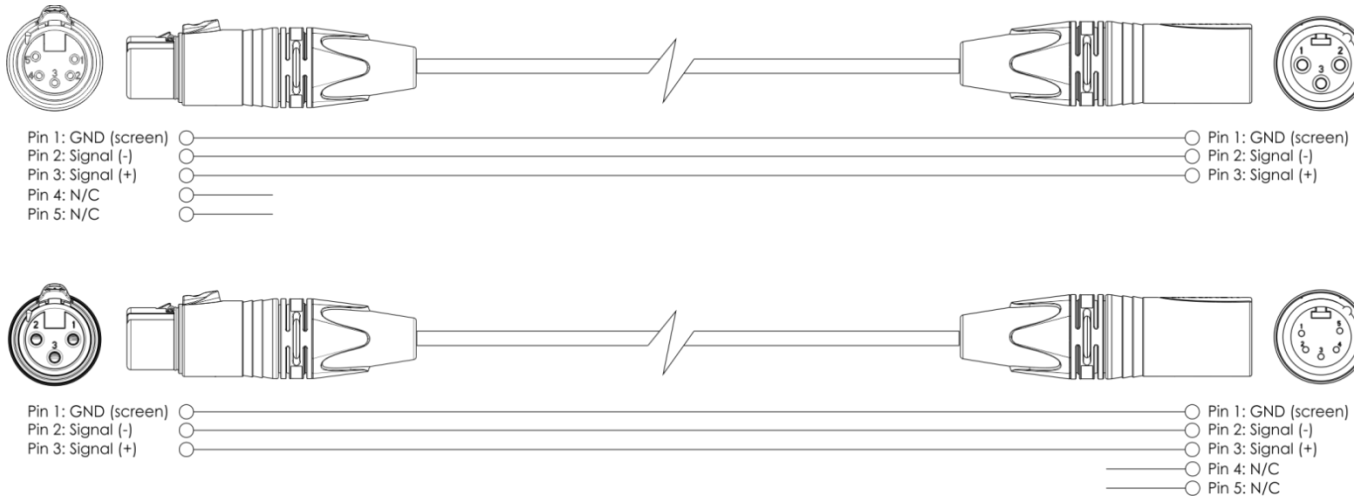


Fig. 03

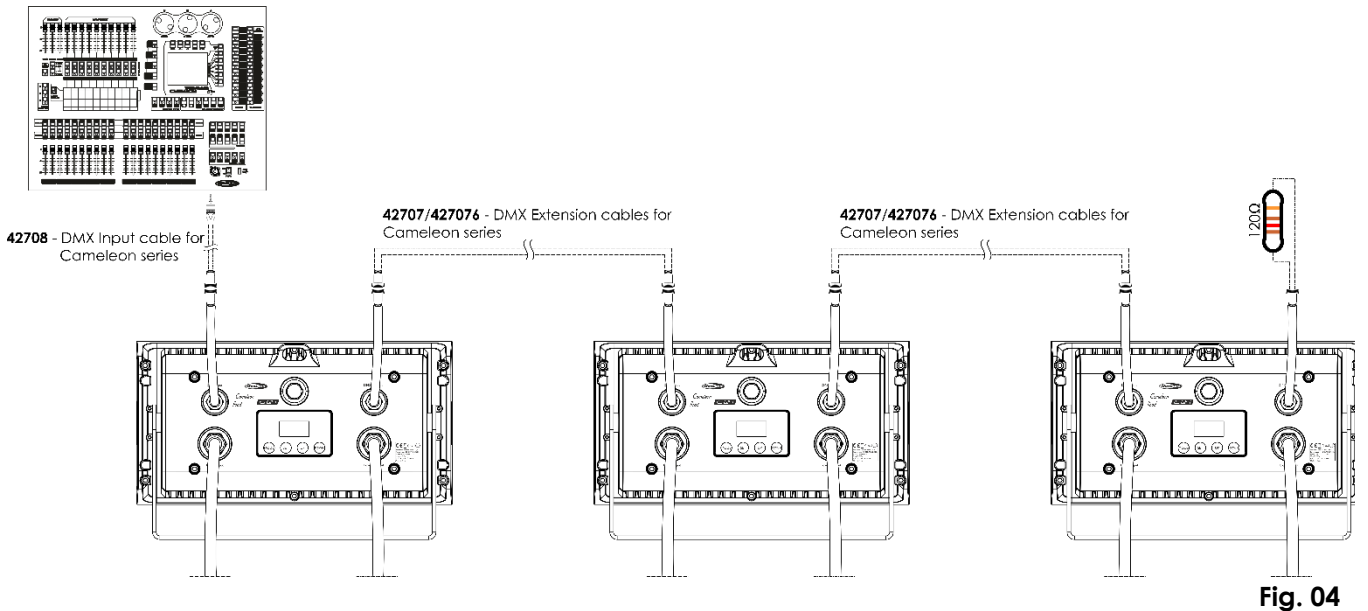
## Multiple Cameleon Floods (DMX Control)

- 01) Fasten the effect light onto firm trussing. Leave at least 0,5 meter on all sides for air circulation.
- 02) Always use a safety cable (ordercode 70140 / 70141).
- 03) Use a 3-pin XLR cable to connect the Cameleon Floods and other devices.



- 04) Link the units as shown in fig. 04. Connect a light controller to the first unit's DMX "in" socket, using the [42708](#) – DMX input cable. Connect the first unit's "out" socket with the second unit's "in" socket, using the [42707/42706](#) – DMX Extension cable, Link the second and third units using the [42707/42706](#) – DMX Extension cable.
- 05) Supply electric power: Plug electric mains power cords into each unit's special IP65 power IN socket, then plug the other end of the mains power cord into proper electric power supply sockets, starting with the first unit. Do not supply power before the whole system is set up and connected properly.

## Multiple Cameleon Floods DMX Set Up



Note : Link all cables before connecting electric power




Note: You cannot plug a standard DMX cable directly into the connector. Be sure to use the special cable for DMX connection ([42708](#)) and extension cables ([42707/42706](#)).



## Fixture Linking

You will need a serial data link to run light shows of one or more fixtures using a DMX-512 controller or to run synchronized shows of two or more fixtures set to a master/slave operating mode. The combined number of channels required by all the fixtures on a serial data link determines the number of fixtures the data link can support.

- Important:** Fixtures on a serial data link must be daisy-chained in a single line. To comply with the EIA-485 standard, no more than 30 devices should be connected on one data link. Connecting more than 30 fixtures on one serial data link without the use of a DMX optically isolated splitter may result in deterioration of the digital DMX signal.
-  Maximum recommended DMX data link distance: 100 meters  
Maximum recommended number of fixtures on a DMX data link: 30 fixtures  
Maximum recommended number of fixtures on a Power link: 8 units @120V  
Maximum recommended number of fixtures on a Power link: 16 units @230V

## Data Cabling

To link fixtures together, you must obtain data cables. You can purchase DAP Audio certified DMX cables directly from a dealer/distributor or construct your own cable. If you choose to create your own cable, please use data-grade cables that can carry a high quality signal and are less prone to electromagnetic interference.

### DAP Audio DMX Data Cables

- DAP Audio Basic microphone cable for allround use. bal. XLR/M 3-pin > XLR/F 3-pin. **Ordercode** FL01150 (1,5 m), FL013 (3 m), FL016 (6 m), FL0110 (10 m), FL0115 (15 m), FL0120 (20 m).
- DAP Audio X-type data cable XLR/M 3-pin > XLR/F 3-pin. **Ordercode** FLX0175 (0,75 m), FLX01150 (1,5 m), FLX013 (3 m), FLX016 (6 m), FLX0110 (10 m).
- DAP Audio cable for the demanding user with exceptional audio-qualities and connector made by Neutrik®. **Ordercode** FL71150 (1,5 m), FL713 (3 m), FL716 (6 m), FL7110 (10 m).
- DAP Audio cable for the demanding user with exceptional audio-qualities and connector made by Neutrik®. **Ordercode** FL7275 (0,75 m), FL72150 (1,5 m), FL723 (3 m), FL726 (6 m), FL7210 (10 m).
- DAP Audio 110 Ohm cable with digital signal transmission. **Ordercode** FL0975 (0,75 m), FL09150 (1,5 m), FL093 (3 m), FL096 (6 m), FL0910 (10 m), FL0915 (15 m), FL0920 (20 m).
- DAP Audio DMX adapter: 3-pin/5-pin. **Ordercode** FLA30.

**Note:** Use the special DMX cables for DMX connection.

[42707](#) DMX Extension cable for Cameleon series (3m)

[427076](#) DMX Extension cable for Cameleon series (6m)

[42708](#) DMX Input cable for Cameleon series (3m)

## Control Panel

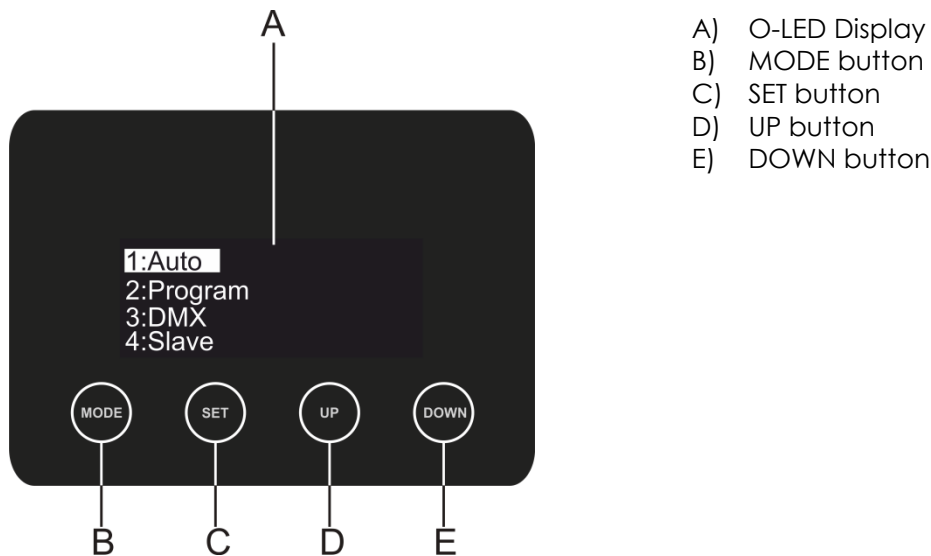


Fig. 05

## Control Mode

The fixtures are individually addressed on a data-link and connected to the controller. The fixtures respond to the DMX signal from the controller. (When you select the DMX address and save it, the controller will display the saved DMX address, next time.)

## DMX Addressing

The control panel on the front side of the base allows you to assign DMX fixture addresses, which is the first channel with which the Cameleon will respond to the controller.

Please note, when you use the controller, the unit has **10** channels.

When using multiple Cameleons, make sure you set the DMX addresses right.

Therefore, the DMX address of the first Cameleon should be **1(001)**; the DMX address of the second Cameleon should be **1+10=11 (011)**; the DMX address of the third Cameleon should be **11+10=21 (021)**, etc. Please, be sure that you do not have any overlapping channels in order to control each Cameleon correctly. If two or more Cameleons are addressed similarly, they will work similarly.

## Controlling:

After having addressed all Cameleon fixtures, you may now start operating these via your lighting controller.

**Note:** After switching on, the Cameleon will automatically detect whether DMX 512 data is received or not. If not, the problem may be:

- The XLR cable from the controller is not connected with the input of the Cameleon.
- The controller is switched off or defective, the cable or connector is defective, or the signal wires are swapped in the input connector.

**Note:** It is necessary to insert an XLR termination plug (with 120 Ohm) in the last fixture in order to ensure proper transmission on the DMX data link.

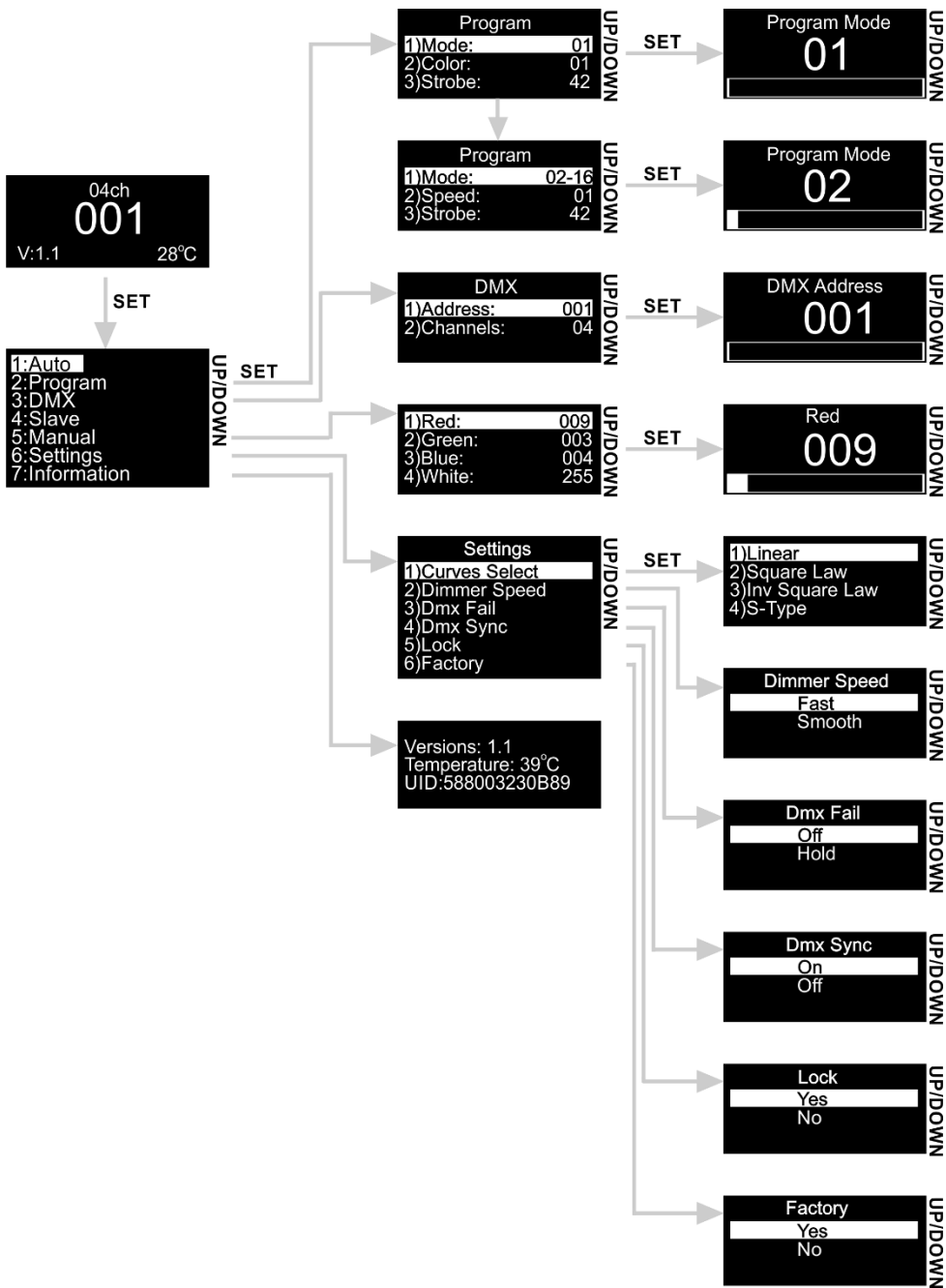
## Display Off after 50 seconds

When no button is pressed for 50 seconds, the display will turn off.

To light up the display, you have to press the **MODE**, **SET**, **UP** or **DOWN** button.

Once you have pressed the button, the display will light up.

## Menu Overview



## Main Menu Options

01) Upon start-up, the display will show one screen:



02) Press the **SET** or **MODE** button to open the main menu. The display will show:



03) Press the **UP/DOWN** buttons to toggle between the menus.

04) Press the **SET** button to open the desired menu.

05) Press the **MODE** button to return to the previous screen.

### 1. Auto program

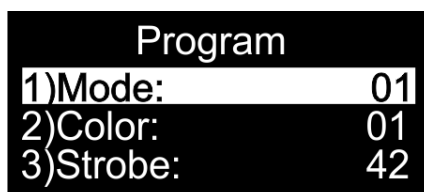
With this menu, you can activate the built-in auto program.

01) While in the main menu, press the **UP/DOWN** buttons to choose Auto.

02) The device will now run the built-in auto program.

### 2. Built-in programs

With this menu, you can set one of the built-in programs, preset colors, speed and strobe frequency.



01) While in the main menu, press the **UP/DOWN** buttons to choose Program.

02) Press the **SET** button to open the menu.

03) Press the **UP/DOWN** buttons to choose between Mode, Color, Speed or Strobe.

04) Once you have chosen Mode, press the **SET** button to open the submenu. Press the **UP/DOWN** buttons to choose 16 different built-in programs.

05) Once you have chosen built-in program 01 you can choose a preset Color. Choose Color and press the **SET** button to open the submenu. Press the **UP/DOWN** buttons to choose 33 preset colors.

06) If you choose the built-in programs 02-16 you can set the Speed. Choose Speed and press the **SET** button to open the submenu. Press the **UP/DOWN** buttons to set the speed between 01-100, from slow to fast.

07) Once you have chosen Strobe, press the **SET** button to open the submenu. Press the **UP/DOWN** buttons to increase/decrease the strobe frequency. The adjustment range is between 0-99, from OFF to high strobe frequency.



### 3. DMX Address/ DMX Configuration

With this menu you can set the device's DMX starting address and choose a DMX channel mode.



- 01) While in the main menu, press the **UP/DOWN** buttons to choose DMX.
- 02) Press the **SET** button to open the menu.
- 03) Press the **UP/DOWN** buttons to choose between Address or Channels.
- 04) Once you have chosen Address, press the **SET** button to open the submenu.
- 05) Press the **UP/DOWN** buttons to set the desired DMX address. The adjustment range is between 001-512.
- 06) Once you have chosen Channels, press the **SET** button to open the submenu.
- 07) Press the **UP/DOWN** buttons to choose 4, 6 or 10 DMX channels.

### 4. Master/slave

With this menu, you can set the device as a slave.

- 01) While in the main menu, press the **UP/DOWN** buttons to choose Slave.
- 02) The device is now operating in Slave Mode. It means that it will react the same as the master device.

### 5. Manual Color mode

With this menu you can set the static colors.

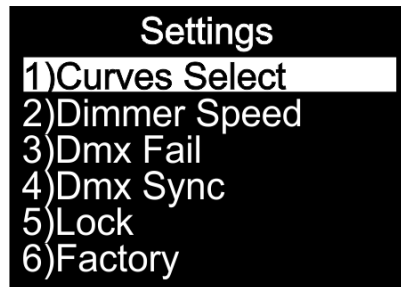


- 01) While in main menu, press the **UP/DOWN** buttons to choose Manual.
- 02) Press the **SET** button to open the menu.
- 03) Press the **UP/DOWN** buttons to toggle between the static colors Red, Green, Blue and White.
- 04) Once you have chosen the desired color with the **UP/DOWN** buttons, press the **SET** button to adjust the color intensity. The adjustment range is between 0-255, from dark to brightest. You can set this with the **UP/DOWN** buttons.

## 6. Settings

With this menu you can set the device's settings.

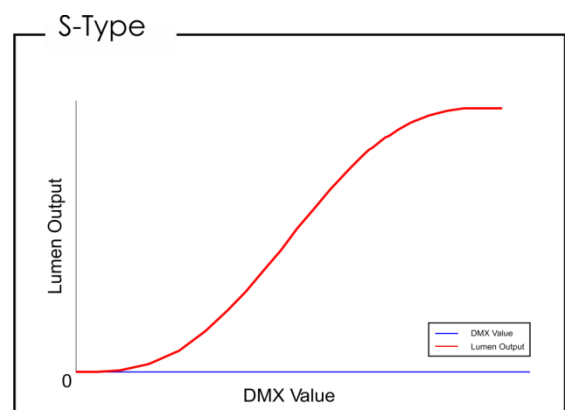
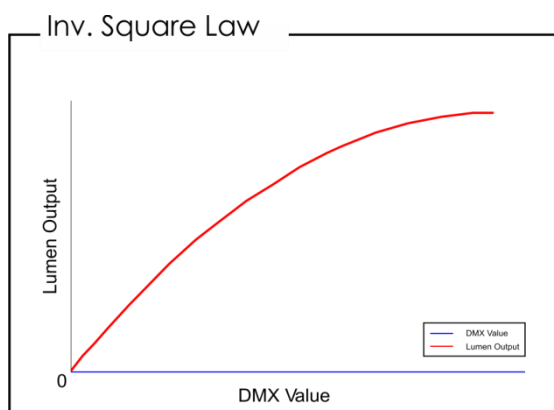
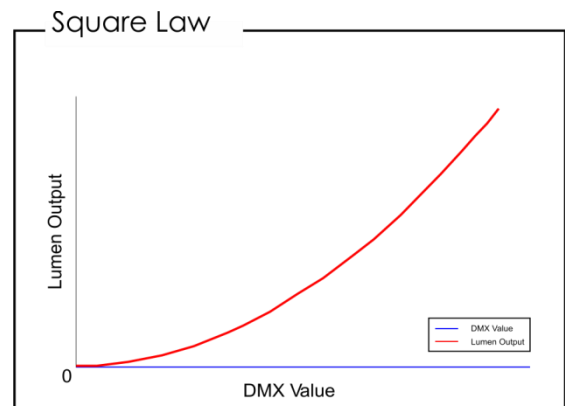
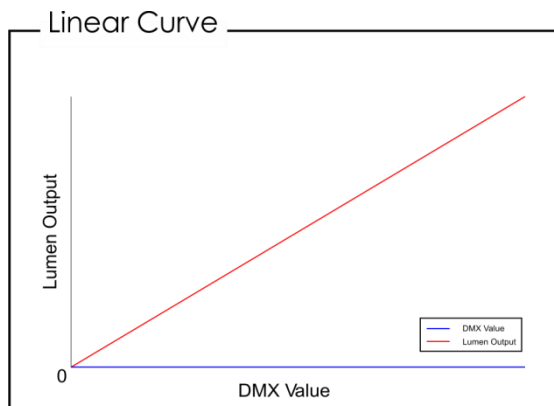
- 01) While in the main menu, press the **UP/DOWN** buttons to choose Settings.
- 02) Press the **SET** button to open the menu.
- 03) Press the **UP/DOWN** buttons to toggle between the following menus: Curves Select, Dimmer Speed, Dmx Fail, Dmx Sync, Lock, Factory.



### 6.1. Curves Select

With this menu, you can adjust the dimming of the device by choosing a dimming curve.

- 01) While in Settings menu, press the **UP/DOWN** buttons to choose Curves Select.
- 02) Press the **SET** button to open the menu.
- 03) Press the **UP/DOWN** buttons to choose the desired dimming curve out of the 4 available options:



### 6.2. Dimmer Speed

With this menu, you can adjust the dimming speed of the device.

- 01) While in Settings menu, press the **UP/DOWN** buttons to choose Dimmer Speed.
- 02) Press the **SET** button to open the menu.
- 03) Press the **UP/DOWN** buttons to choose the desired dimming speed.
- 04) You can choose between Fast and Smooth.

### 6.3. Dmx Fail

With this menu, you can adjust the behaviour of the device in case of a DMX signal error.

- 01) While in Settings menu, press the **UP/DOWN** buttons to choose Dmx Fail.
- 02) Press the **SET** button to open the menu.
- 03) Press the **UP/DOWN** buttons to choose the desired option.
- 04) You can choose between Off and Hold.
- 05) If you have chosen Off, the device will blackout its output, when a DMX signal error occurs.
- 06) If you have chosen Hold, the device will fall back on the last properly working DMX signal from before the DMX signal error, which ensures uninterrupted performance.

### 6.4. Dmx Sync

With this menu, you can set the DMX synchronisation of the device.

- 01) While in Settings menu, press the **UP/DOWN** buttons to choose Dmx Sync.
- 02) Press the **SET** button to open the menu.
- 03) Press the **UP/DOWN** buttons to choose the desired option.
- 04) You can choose between On and Off.
- 05) The Sync option is a tool which helps to keep multiple fixtures synchronized, when using them in master slave mode.
- 06) When you choose On the synchronisation function is activated.

### 6.5. Lock

With this menu you can select whether the safety lock is active.

- 01) While in Settings menu, press the **UP/DOWN** buttons to choose Lock.
- 02) Press the **SET** button to open the menu.
- 03) Press the **UP/DOWN** buttons to choose the desired option.
- 04) You can choose between Yes and No.
- 05) If you have chosen Yes and confirm it with the **SET** button, after 35 seconds the device will be in Lock mode. You will need to insert the password in order to access the main menu. Press the **MODE** and **SET** button simultaneously for 3 seconds, and you will be able to access the main menu.
- 06) If you have chosen No, the main menu will remain unlocked.

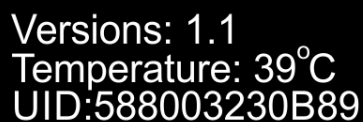
### 6.6. Factory

With this menu, you can reset to the default settings.

- 01) While in Settings menu, press the **UP/DOWN** buttons to choose Factory.
- 02) Press the **SET** button to open the menu.
- 03) Press the **UP/DOWN** buttons to choose the desired option.
- 04) You can choose between Yes and No.
- 05) If you have chosen Yes and confirm it with the **SET** button, the device will be reset to default settings.
- 06) The device will return to the built-in Auto program.

## 7. Information

With this menu you can view the currently installed software version, temperature and device code.



Versions: 1.1  
Temperature: 39°C  
UID:588003230B89

- 01) While in main menu, press the **UP/DOWN** buttons to choose Information.
- 02) Press the **SET** button to open the menu.
- 03) You can now view the currently installed software version, temperature and device code.

## DMX Channels

### 4 DMX Channels

#### Channel 1 – Red Dimmer intensity

0-255 Gradual adjustment Red from 0-100%

#### Channel 2 – Green Dimmer intensity

0-255 Gradual adjustment Green from 0-100%

#### Channel 3 – Blue Dimmer intensity

0-255 Gradual adjustment Blue from 0-100%

#### Channel 4 – White Dimmer intensity

0-255 Gradual adjustment White from 0-100%

### 6 DMX Channels

#### Channel 1 – Master Dimmer intensity

0-255 Gradual adjustment, from dark to brightest 0-100%

#### Channel 2 – Linear strobe (CH1, CH3, CH4, CH5 or CH6 must be set between 1-255 )

0-10 Closed

11-255 Strobe flash frequency, from slow to fast (0-15 Hz)

#### Channel 3 – Red Dimmer intensity (CH1 must be set between 1-255 )

0-255 Gradual adjustment Red from 0-100%

#### Channel 4 – Green Dimmer intensity (CH1 must be set between 1-255 )

0-255 Gradual adjustment Green from 0-100%

#### Channel 5 – Blue Dimmer intensity (CH1 must be set between 1-255 )

0-255 Gradual adjustment Blue from 0-100%

#### Channel 6 – White Dimmer intensity (CH1 must be set between 1-255 )

0-255 Gradual adjustment White from 0-100%

### 10 DMX Channels

#### Channel 1 – Master Dimmer intensity

0-255 Gradual adjustment, from dark to brightest 0-100%

#### Channel 2 – Linear strobe (CH1, CH7, CH8, CH9 or CH10 must be set between 1-255 and CH4 between 8-255 and CH5 between 16-255 )

0-10 Closed

11-255 Strobe flash frequency, from slow to fast (0-15 Hz)

#### Channel 3 – Pulse strobe (CH1, CH7, CH8, CH9 or CH10 must be set between 1-255 and CH4 between 8-255 and CH5 between 16-255 )

0-10 Closed

11-255 Pulse strobe flash, from slow to fast

## Channel 4 – Color presets (CH1 must be set between 1-255 )

0-7	No function
8-13	Color 1 (R255, G000, B000, W000)
14-20	Color 2 (R255, G000, B000, W100)
21-27	Color 3 (R255, G000, B000, W200)
28-34	Color 4 (R255, G050, B000, W000)
35-41	Color 5 (R255, G150, B000, W000)
42-48	Color 6 (R255, G255, B000, W000)
49-55	Color 7 (R255, G255, B000, W075)
56-62	Color 8 (R255, G255, B000, W255)
63-69	Color 9 (R000, G255, B000, W150)
70-76	Color 10 (R000, G255, B000, W050)
77-83	Color 11 (R000, G255, B000, W000)
84-90	Color 12 (R000, G255, B050, W000)
91-97	Color 13 (R000, G255, B150, W000)
98-104	Color 14 (R000, G255, B255, W000)
105-111	Color 15 (R000, G255, B255, W075)
112-118	Color 16 (R000, G255, B255, W150)
119-125	Color 17 (R000, G100, B255, W255)
126-132	Color 18 (R000, G000, B255, W100)
133-139	Color 19 (R000, G000, B255, W050)
140-146	Color 20 (R000, G000, B255, W000)
147-153	Color 21 (R075, G000, B255, W000)
154-160	Color 22 (R160, G000, B255, W000)
161-167	Color 23 (R255, G000, B255, W000)
168-174	Color 24 (R255, G000, B175, W000)
175-181	Color 25 (R255, G000, B100, W000)
182-188	Color 26 (R255, G000, B100, W050)
189-195	Color 27 (R255, G000, B025, W050)
196-202	Color 28 (R255, G000, B025, W025)
203-209	Color 29 (R255, G000, B025, W000)
210-216	Color 30 (R000, G000, B000, W255)
217-223	Color 31 (R075, G075, B000, W255)
224-230	Color 32 (R000, G000, B100, W255)
231-255	Color 33 (R255, G255, B255, W255)

## Channel 5 – Built-in programs (CH1 must be set between 1-255 and CH6 between 0-255 )

0-15	No function
16-31	Jump 1
32-47	Jump 2
48-63	Jump 3
64-79	Jump 4
80-95	Jump 5
96-111	Jump 6
112-127	Jump 7
128-143	Jump 8
144-159	Fade 1
160-175	Fade 2
176-191	Fade 3
192-207	Fade 4
208-223	Fade 5
224-239	Fade 6
240-255	Fade 7

### Channel 6 – Auto speed (CH5 must be set between 16-255 ⚠ )

0-255 Speed adjustment, from slow to fast

### Channel 7 – Red Dimmer intensity (CH1 must be set between 1-255 ⚠ )

0-255 Gradual adjustment Red from 0-100%

### Channel 8 – Green Dimmer intensity ( CH1 must be set between 1-255 ⚠ )

0-255 Gradual adjustment Green from 0-100%

### Channel 9 – Blue Dimmer intensity (CH1 must be set between 1-255 ⚠ )

0-255 Gradual adjustment Blue from 0-100%

### Channel 10 – White Dimmer intensity (CH1 must be set between 1-255 ⚠ )

0-255 Gradual adjustment White from 0-100%

## Maintenance

The operator has to make sure that safety-related and machine-technical installations are to be inspected by an expert after every year in the course of an acceptance test.

The operator has to make sure that safety-related and machine-technical installations are to be inspected by a skilled person once a year.

The following points have to be considered during the inspection:

- 01) All screws used for installing the device or parts of the device have to be tightly connected and must not be corroded.
- 02) There may not be any deformations on housings, fixations and installation spots.
- 03) Mechanically moving parts like axles, eyes and others may not show any traces of wearing.
- 04) The electric power supply cables must not show any damages or material fatigue.

The Cameleon Flood 15 Q4 requires almost no maintenance. However, you should keep the unit clean. Otherwise, the fixture's light-output will be significantly reduced. Disconnect the mains power supply, and then wipe the cover with a damp cloth. Do not immerse in liquid. Wipe lens clean with glass cleaner and a soft cloth. Do not use alcohol or solvents.

The front lens will require weekly cleaning, as smoke-fluid tends to build up residues, reducing the light-output very quickly.

Keep connections clean. Make sure connections are thoroughly dry before linking equipment or supplying electric power.

## Troubleshooting

This troubleshooting guide is meant to help solve simple problems.

If a problem occurs, carry out the steps below in sequence until a solution is found. Once the unit operates properly, do not carry out following steps.

### No Light

If the light effect does not operate properly, refer servicing to a technician.

Suspect three potential problem areas as: the power supply, the LEDs, the internal fuse.

- 01) Power supply. Check that the unit is plugged into an appropriate power supply.
- 02) The LEDs. Return the Cameleon Flood to your Showtec dealer.
- 03) The internal fuse. Return the Cameleon Flood to your Showtec dealer.
- 04) If all of the above appears to be O.K., plug the unit in again.
- 05) If you are unable to determine the cause of the problem, do not open the Cameleon Flood, as this may damage the unit and the warranty will become void.
- 06) Return the device to your Showtec dealer.

**No Response to DMX**

Suspect the DMX cable or connectors, a controller malfunction, a light effect DMX card malfunction.

- 01) Check the DMX setting. Make sure that DMX addresses are correct.
- 02) Check the DMX cable: Unplug the unit; change the DMX cable; then reconnect to electrical power. Try your DMX control again.
- 03) Determine whether the controller or light effect is at fault. Does the controller operate properly with other DMX products? If not, take the controller in for repair. If so, take the DMX cable and the light effect to a qualified technician.

<b>Problem</b>	<b>Probable cause(s)</b>	<b>Solution</b>
One or more fixtures do not function at all	No power to the fixture	<ul style="list-style-type: none"> <li>• Check if power is switched on and cables are plugged in</li> </ul>
	Internal fuse blown	<ul style="list-style-type: none"> <li>• Return the Cameleon Flood to your Showtec dealer</li> </ul>
Fixtures reset correctly, but all respond erratically or not at all to the controller	The controller is not connected.	<ul style="list-style-type: none"> <li>• Connect controller.</li> </ul>
	3-pin XLR Out of the controller does not match XLR Out of the first fixture on the link (i.e. signal is reversed)	<ul style="list-style-type: none"> <li>• Install a phase reversing cable between the controller and the first fixture on the link</li> </ul>
Fixtures reset correctly, but some respond erratically or not at all to the controller	Poor data quality	<ul style="list-style-type: none"> <li>• Check data quality. If much lower than 100 percent, the problem may be a bad data link connection, poor quality or broken cables, missing termination plug, or a defective fixture disturbing the link</li> </ul>
	Bad data link connection	<ul style="list-style-type: none"> <li>• Inspect connections and cables. Correct poor connections. Repair or replace damaged cables</li> </ul>
	Data link not terminated with 120 Ohm termination plug	<ul style="list-style-type: none"> <li>• Insert termination plug in output jack of the last fixture on the link</li> </ul>
	Incorrect addressing of the fixtures	<ul style="list-style-type: none"> <li>• Check address setting</li> </ul>
	One of the fixtures is defective and disturbs data transmission on the link	<ul style="list-style-type: none"> <li>• Bypass one fixture at a time until normal operation is restored: unplug both connectors and connect them directly together.</li> <li>• Have the defective fixture serviced by a qualified technician</li> </ul>
	3-pin XLR Out on the fixtures does not match (pins 2 and 3 reversed)	<ul style="list-style-type: none"> <li>• Install a phase-reversing cable between the fixtures or swap pin 2 and 3 in the fixture that behaves erratically</li> </ul>
No light or LEDs cuts out intermittently	Fixture is too hot	<ul style="list-style-type: none"> <li>• Allow the fixture to cool down</li> <li>• Clean the fan</li> <li>• Make sure air vents in control panel and the front lens are not blocked</li> <li>• Turn up the air conditioning</li> </ul>
	LEDs damaged	<ul style="list-style-type: none"> <li>• Disconnect the fixture and return it to your dealer</li> </ul>
	The power supply settings do not match local AC voltage and frequency	<ul style="list-style-type: none"> <li>• Disconnect fixture. Check settings and correct if necessary</li> </ul>

## Product Specifications

Model:	Showtec Cameleon Flood 15 Q4
Input Voltage:	100-240 VAC, 50/60Hz
Power consumption:	115W @FO
Power linking @120V:	8 units
Power linking @230V:	16 units
Drive current:	350mA
Refresh rate:	4000Hz
Protection rate:	IP-65
Dimensions:	330 x 100 x 210 mm (LxWxH incl. bracket)
Weight:	5,2 kg
<b>Operating and Programming:</b>	
Signal pin OUT:	Pin 1 (earth), pin 2 (-), pin 3 (+)
DMX Mode:	4, 6 or 10 Channels
Signal input:	3-pin DMX IN IP65
Signal output:	3-pin DMX OUT IP65
<b>Electro-mechanical effects:</b>	
Light source:	15x 5W 4-in-1 RGBW ProLight Opto Hornet Series
Lux @2m:	Red: 800 Lumen Green: 1040 Lumen Blue: 328 Lumen White: 1505 Lumen Full Output: 3434 Lumen
Beam angle:	39°
Max. distance:	20m
Colour range:	16,7 million additive colors RGBW Colormixing
Lens Plate:	Tempered Glass
Connections:	Dedicated Power cable IP-65 IN/OUT & Data IP-65 IN/OUT
Dimmer:	0-100%
Strobe:	0-15Hz
Control:	DMX / Auto Program / Built-in programs / Master-slave/ Manual
Cooling:	Convection (no fans)
Housing:	Die-cast Black Aluminum
Max. ambient temperature $t_a$ :	40°C
Max. housing temperature $t_B$ :	80°C
<b>Minimum distance:</b>	
Minimum distance from flammable surfaces:	0,5 m
Minimum distance to lighted object:	1 m

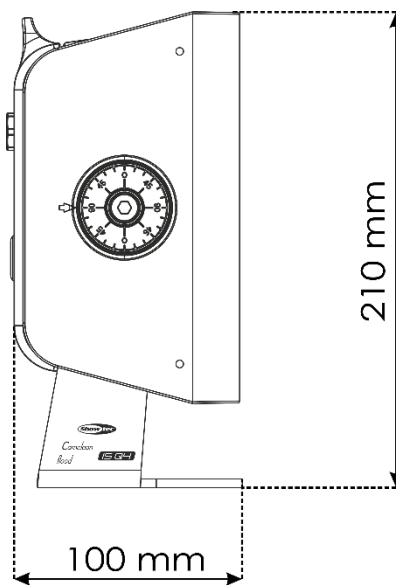
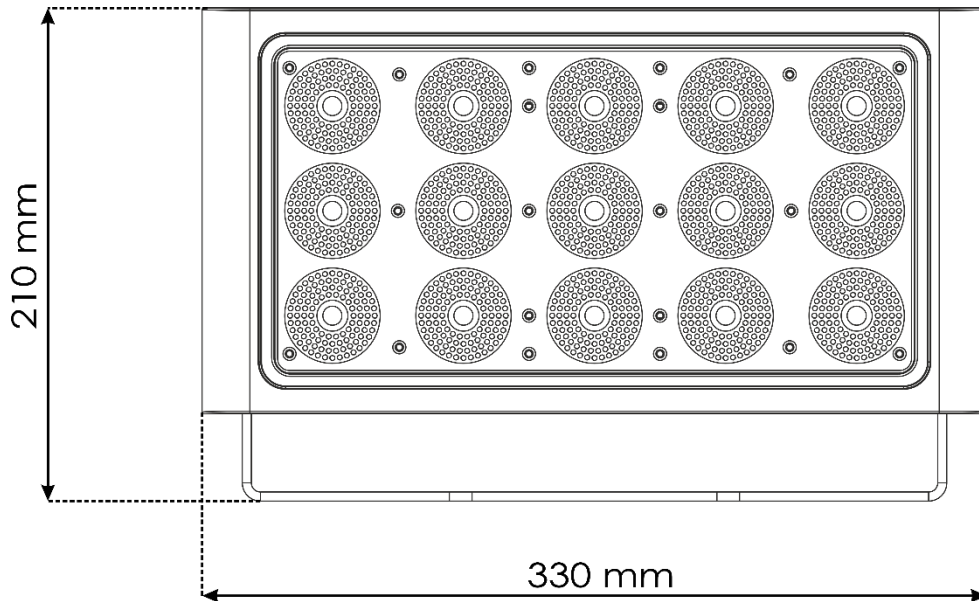
Design and product specifications are subject to change without prior notice.



Website: [www.Showtec.info](http://www.Showtec.info)  
Email: [service@highlite.nl](mailto:service@highlite.nl)



## Dimensions









©2017 Showtec