

ENGLISH

Compact Par 7 Tri

V2

Ordercode: 42579

Table of contents

Warning2
 Safety Instructions2
 Operating Determinations4
 Rigging4
 Connection with the mains.....5
 Return Procedure.....6
 Claims.....6

Description of the device.....7
 Frontside.....7
 Backside8

Installation.....8

Set Up and Operation8
 Control Modes.....9
 One Compact Par (Built-in programs).....9
 One Compact Par (Auto)9
 One Compact Par (Sound-controlled)9
 Multiple Compact Pars (Master/Slave control)9
 Multiple Compact Pars (DMX Control)10
 Fixture Linking11
 Data Cabling.....11
 Control Panel.....12
 Control Mode12
 DMX Addressing12
 Menu Overview.....13
 Main Menu Options14
 1. Built-in Programs.....14
 2. Auto.....15
 3. DMX Mode15
 4. Slave Mode.....15
 5. Sound-controlled Mode15
 DMX Channels16
 3 channels16
 4 channels16
 8 channels16

Maintenance18
 Replacing the Fuse19

Troubleshooting19
 No Light19
 No Response to DMX.....19
 Factory Reset19

Product Specifications21

Dimensions.....22

Warning

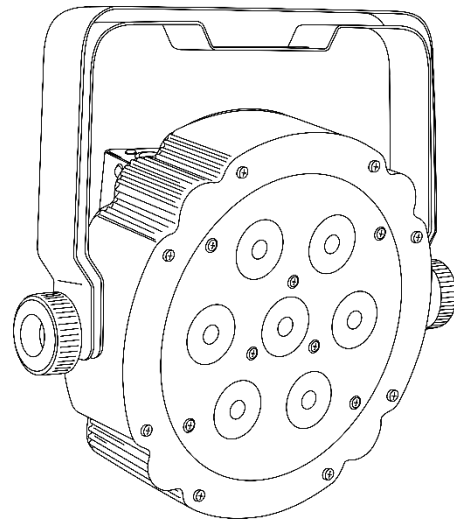
**For your own safety, please read this user manual carefully
before your initial start-up!**

**Unpacking Instructions**

Immediately upon receiving this product, carefully unpack the carton and check the contents to ensure that all parts are present, and have been received in good condition. Notify the dealer immediately and retain packing material for inspection if any parts appear damaged from shipping or the carton itself shows signs of mishandling. Save the carton and all packing materials. In the event that a fixture must be returned to the factory, it is important that the fixture be returned in the original factory box and packing.

Your shipment includes:

- Showtec Compact Par 7 Tri
- IEC power cable (1,5 m)
- User manual

**LED Expected Lifespan**

LEDs gradually decline in brightness over time. HEAT is the dominant factor that leads to the acceleration of this decline. Packaged in clusters, LEDs exhibit higher operating temperatures than in ideal or singular optimum conditions. For this reason, when all color LEDs are used at their fullest intensity, life of the LEDs is significantly reduced. If improving the lifespan is of higher priority, place care in providing for lower operational temperatures. This may include climatic-environmental and the reduction of overall projection intensity.

**CAUTION!**

**Keep this device away from rain and moisture!
Unplug mains lead before opening the housing!**

**Safety Instructions**

Every person involved with the installation, operation and maintenance of this device has to:

- be qualified
- follow the instructions of this manual



**CAUTION! Be careful with your operations.
With a dangerous voltage you can suffer
a dangerous electric shock when touching the wires!**



Before the initial start-up, please make sure that there is no damage caused by transportation. Should there be any, consult your dealer and do not use the device.

To maintain perfect condition and to ensure a safe operation, it is absolutely necessary for the user to follow the safety instructions and warning notes contained in this manual.

Please consider that damages caused by manual modifications to the device are not subject to warranty.

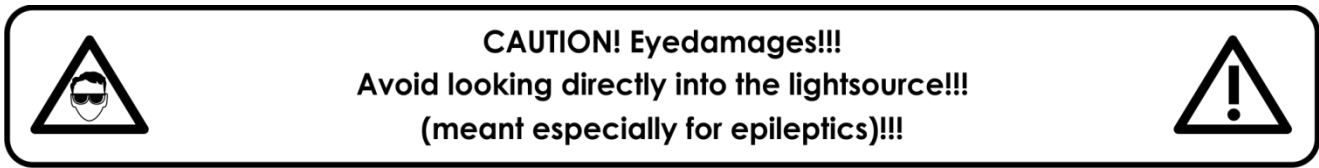
This device contains no user-serviceable parts. Refer servicing to qualified technicians only.

IMPORTANT:

The manufacturer will not accept liability for any resulting damages caused by the non-observance of this manual or any unauthorized modification to the device.

- Never let the power cord come into contact with other cables! Handle the power cord and all connections with the mains with particular caution!
- Never remove warning or informative labels from the unit.
- Never use anything to cover the ground contact.
- Never lift the fixture holding it by the projector-head, as the mechanics may be damaged. Always hold the fixture by the transport handles.
- Never place any material over the lens.
- Never look directly into the light source.
- Never leave any cables lying around.
- Do not insert objects into air vents.
- Do not connect this device to a dimmer pack.
- Do not switch the device on and off in short intervals, as this will reduce the device's life.
- Do not touch the device's housing bare-handed during its operation (housing becomes very hot). Allow the fixture to cool for at least 5 minutes before handling.
- Do not shake the device. Avoid brute force when installing or operating the device.
- Only use the device indoors, avoid contact with water or other liquids.
- Only operate the fixture after having checked if the housing is firmly closed and all screws are tightly fastened.
- Only operate the device after having familiarized with its functions.
- Avoid flames and do not put close to flammable liquids or gases.
- Always keep the case closed while operating.
- Always allow a free air space of at least 50 cm around the unit for ventilation.
- Always disconnect power from the mains, when device is not used or before cleaning! Only handle the power cord holding it by the plug. Never pull out the plug by tugging the power cord.
- Make sure that the device is not exposed to extreme heat, moisture or dust.
- Make sure that the available voltage is not higher than stated on the rear panel.
- Make sure that the power cord is never crimped or damaged. Check the device and the power cord from time to time.
- If the lens is obviously damaged, it has to be replaced.
- If device was dropped or struck, disconnect mains power supply immediately. Have a qualified engineer inspect for safety before operating.
- If the device has been exposed to drastic temperature fluctuation (e.g. after transportation), do not switch it on immediately. The arising condensation water might damage your device. Leave the device switched off until it has reached room temperature.
- If your Showtec device fails to work properly, discontinue the use immediately. Pack the unit securely (preferably in the original packing material), and return it to your Showtec dealer for service.
- For adult use only. The fixture must be installed beyond the reach of children. Never leave the unit running unattended.
- Never attempt to bypass the thermostatic switch or fuses.
- For replacement use fuses of same type and rating only.
- The user is responsible for correct positioning and operating of the Compact Par. The manufacturer will not accept liability for damages caused by the misuse or incorrect installation of this device.
- This device falls under protection class I. Therefore it is essential to connect the yellow/green conductor to earth.

- Repairs, servicing and electric connection must be carried out by a qualified technician.
- WARRANTY: Till one year after date of purchase.



Operating Determinations

- This device is not designed for permanent operation. Consistent operation breaks will ensure that the device will serve you for a long time without defects.
- The minimum distance between light output and the illuminated surface must be bigger than 1 meter.
- The maximum ambient temperature $t_a = 40^\circ\text{C}$ must never be exceeded.
- The relative humidity must not exceed 50 % with an ambient temperature of 40°C .
- If this device is operated in any other way than the one described in this manual, the product may suffer damages and the warranty becomes void.
- Any other operation may lead to dangers like short-circuit, burns, electric shock, crash, etc.

You endanger your own safety and the safety of others!

Improper installation can cause serious injuries and/or damage of property !

Rigging

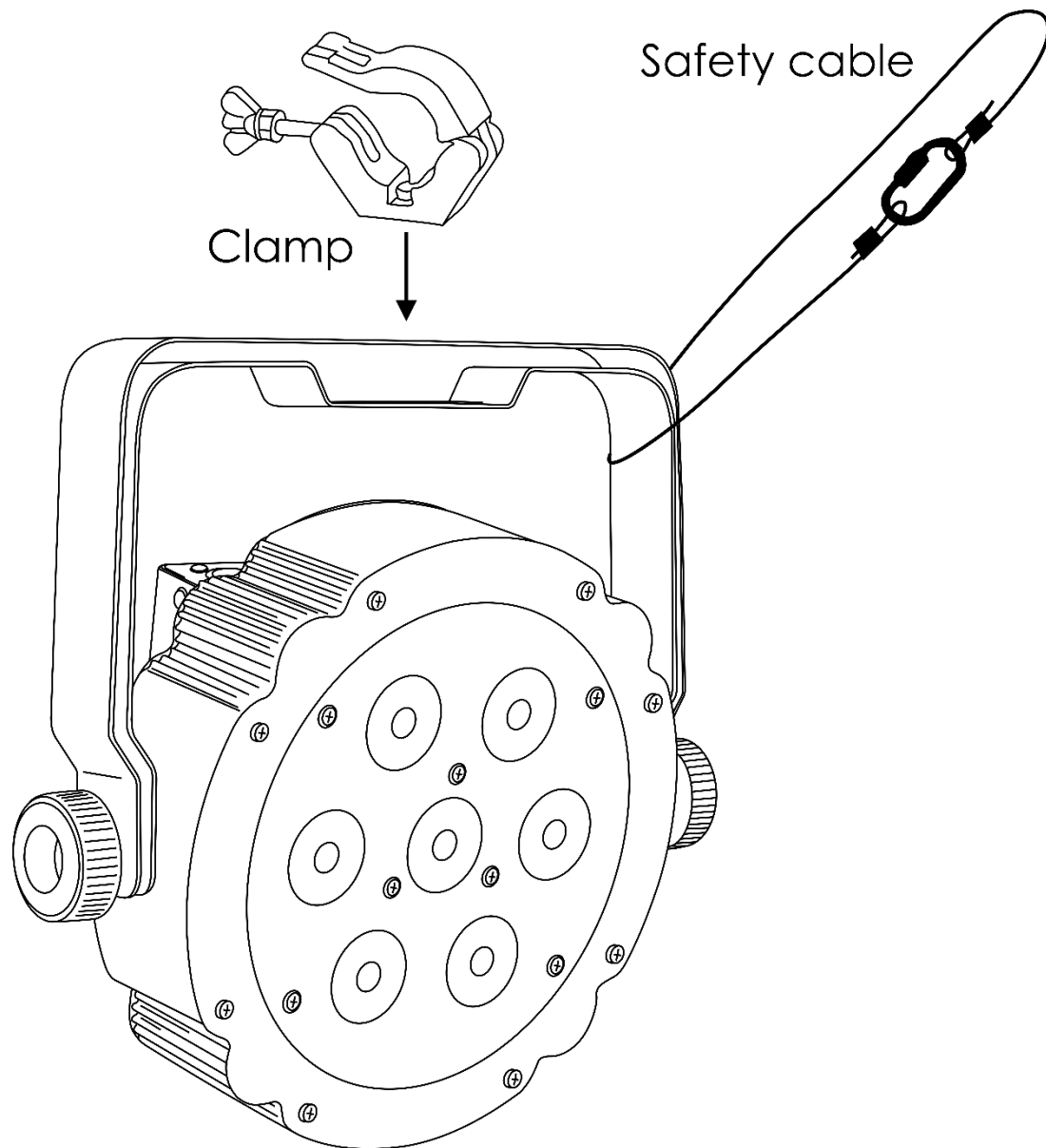
Please follow the European and national guidelines concerning rigging, trussing and all other safety issues.

Do not attempt the installation yourself !

Always let the installation be carried out by an authorized dealer !

Procedure:

- If the Compact Par is lowered from the ceiling or high joists, professional trussing systems have to be used.
- Use a clamp to mount the Compact Par, with the mounting bracket, to the trussing system.
- The Compact Par must never be fixed swinging freely in the room.
- The installation must always be secured with a safety attachment, e.g. an appropriate safety net or safety cable.
- When rigging, derigging or servicing the Compact Par, always make sure, that the area below the installation site is secured and that there are not any unauthorized people around.



The Compact Par 7 Tri can be placed on a flat stage floor or mounted to any kind of truss with a clamp.

Improper installation can cause serious injuries and/or damage of property!

Connection with the mains

Connect the device to the mains with the power-plug.

Always check if the right color cable is connected to the right place.

International	EU Cable	UK Cable	US Cable	Pin
L	BROWN	RED	YELLOW/COPPER	PHASE
N	BLUE	BLACK	SILVER	NEUTRAL
⊕	YELLOW/GREEN	GREEN	GREEN	PROTECTIVE GROUND

Make sure that the device is always properly connected to the earth!

Improper installation can cause serious injuries and/or damage of property!



Return Procedure

Returned merchandise must be sent prepaid and in the original packing, call tags will not be issued. Package must be clearly labeled with a Return Authorization Number (RMA number). Products returned without an RMA number will be refused. Highlite will not accept the returned goods or any responsibility. Call Highlite 0031-455667723 or mail offersales@highlite.com and request an RMA prior to shipping the fixture. Be prepared to provide the model number, serial number and a brief description of the cause for the return. Be sure to properly pack fixture, any shipping damage resulting from inadequate packaging is the customer's responsibility. Highlite reserves the right to use its own discretion to repair or replace product(s). As a suggestion, proper UPS packing or double-boxing is always a safe method to use.

Note: If you are given an RMA number, please include the following information on a piece of paper inside the box:

- 01) Your name
- 02) Your address
- 03) Your phone number
- 04) A brief description of the symptoms

Claims

The client has the obligation to check the delivered goods immediately upon delivery for any shortcomings and/or visible defects, or perform this check after our announcement that the goods are at their disposal. Damage incurred in shipping is the responsibility of the shipper; therefore the damage must be reported to the carrier upon receipt of merchandise.

It is the customer's responsibility to report and submit claims with the shipper in the event that a fixture is damaged due to shipping. Transportation damage has to be reported to us within one day after receipt of the delivery.

Any return shipment has to be made post-paid at all times. Return shipments must be accompanied with a letter defining the reason for return shipment. Non-prepaid return shipments will be refused, unless agreed otherwise in writing.

Complaints against us must be prepared in writing or sent by fax within 10 working days after receipt of the invoice. After this period complaints will not be handled anymore.

Complaints will only then be considered if the client has so far complied with all parts of the agreement, regardless of the agreement from which the obligation is resulting.

Description of the device

Features

The Showtec Compact Par 7 Tri is a light fixture with high output and great effects.

- Input voltage: 100-240V AC, 50/60Hz
- Power consumption: 50W
- Light source: 7 x 3-in-1 RGB LEDs
- Lumens: 1540
- Lux @2 m: 2002
- DMX channels: 3, 4, 8 channels
- Drive current: 350 mA
- Refresh rate: 3,9 kHz
- Max. distance: 20 m
- Control mode: DMX 512
- Dimmer: 0-100%
- Strobe: 0-20Hz
- Beam angle: 40°
- Control: Built-in programs, Auto, Sound-controlled, Master/Slave, DMX
- Connections: 3-pin DMX IN/OUT and IEC power connector IN
- Housing: Aluminum and iron
- Color: Dark grey and black
- Cooling: Aluminum heat sink
- Fuse: 1A/250V
- Dimensions : 275 x 95 x 256 mm (LxWxH)
- Weight: 2,2 kg

Frontside

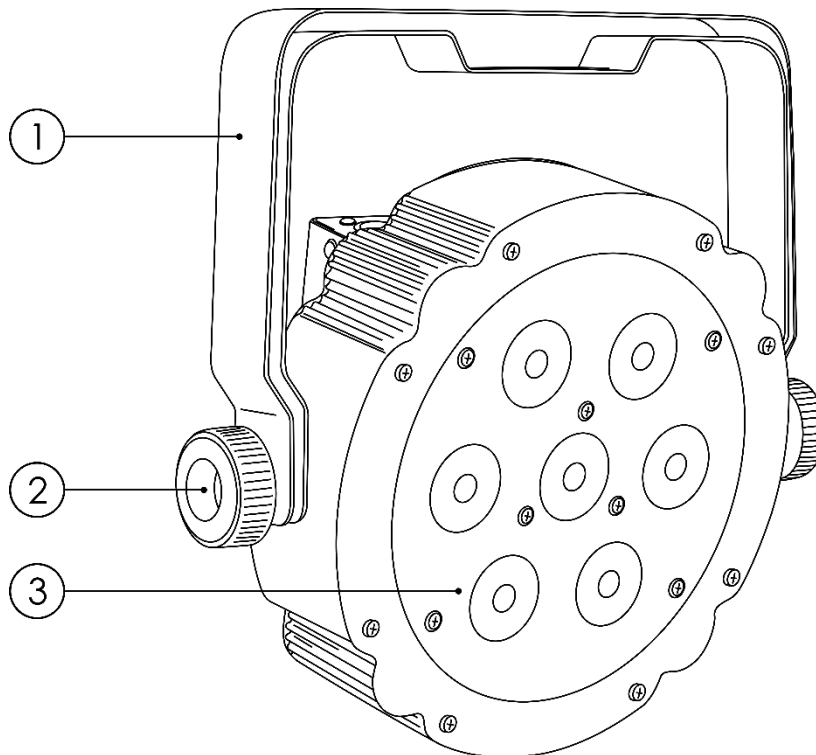


Fig. 01

- 01) Mounting bracket with inclination screw
- 02) Adjustment screw
- 03) 7 x 3-in-1 RGB LEDs

Backside

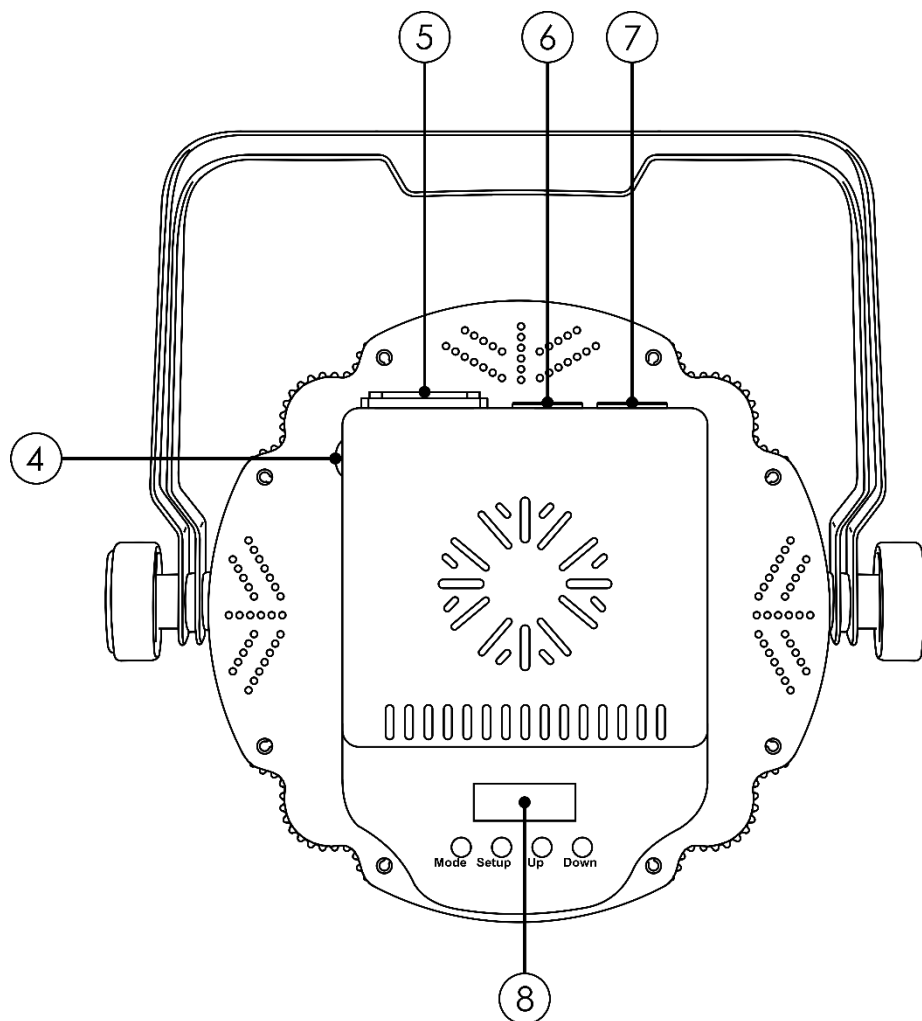


Fig. 02

- 04) Ground/earth connection
- 05) 100-240V AC, IEC power connector IN + Fuse 1A/250V
- 06) 3-pin DMX signal connector IN
- 07) 3-pin DMX signal connector OUT
- 08) LED display + control buttons

Installation

Remove all packing materials from the Compact Par 7 Tri. Check if all foam and plastic padding is removed. Connect all cables.

Do not supply power before the whole system is set up and connected properly.

Always disconnect from electric mains power supply before cleaning or servicing.

Damages caused by non-observance are not subject to warranty.

Set Up and Operation

Follow the directions below, as they pertain to your preferred operation mode.

Before plugging the unit in, always make sure that the power supply matches the product specification voltage. Do not attempt to operate a 120V specification product on 230V power, or vice versa.

Connect the device to the main power supply.

Control Modes

There are 5 modes:

- Built-in programs
- Auto
- Sound-controlled
- Master/Slave
- DMX-512 (3CH, 4CH, 8CH)

One Compact Par (Built-in programs)

- 01) Fasten the effect light to a firm trussing. Leave at least 0,5 meter on all sides for air circulation.
- 02) Plug the end of the electric mains power cord into a proper electric power supply socket.
- 03) When the Compact Par is not connected with a DMX cable, it functions as a stand-alone device. Please see page 14 for more information about the built-in programs.

One Compact Par (Auto)

- 01) Fasten the effect light to a firm trussing. Leave at least 0,5 meter on all sides for air circulation.
- 02) Plug the end of the electric mains power cord into a proper electric power supply socket.
- 03) When the Compact Par is not connected with a DMX cable, it functions as a stand-alone device. Please see page 15 for more information about the Auto mode.

One Compact Par (Sound-controlled)

- 01) Fasten the effect light to a firm trussing. Leave at least 0,5 meter on all sides for air circulation.
- 02) Plug the end of the electric mains power cord into a proper electric power supply socket.
- 03) Turn on the music. If the device is set to sound-control, the Compact Par will react to the beat of the music. Please see page 15 for more information about the sound-control options.

Multiple Compact Pares (Master/Slave control)

- 01) Fasten the effect light onto firm trussing. Leave at least 0,5 meter on all sides for air circulation.
- 02) Always use a safety cable (ordercode 70140 / 70141).
- 03) Use a 3-pin XLR cable to connect the Compact Par and other devices.

The pins:



- 01) Earth
- 02) Signal (-)
- 03) Signal (+)

- 04) Link the units as shown in fig. 03, connect a DMX signal cable from the first unit's DMX "out" socket to the second unit's "in" socket. Repeat this process to link the second, third, and fourth units. You can use the same functions on the master device as described on pages 14-15 (Built-in programs, Auto, Sound-controlled). This means that you can set your desired operation mode on the master device and all slave devices will react the same as the master device.

Multiple Compact Pares (Master/Slave Control)

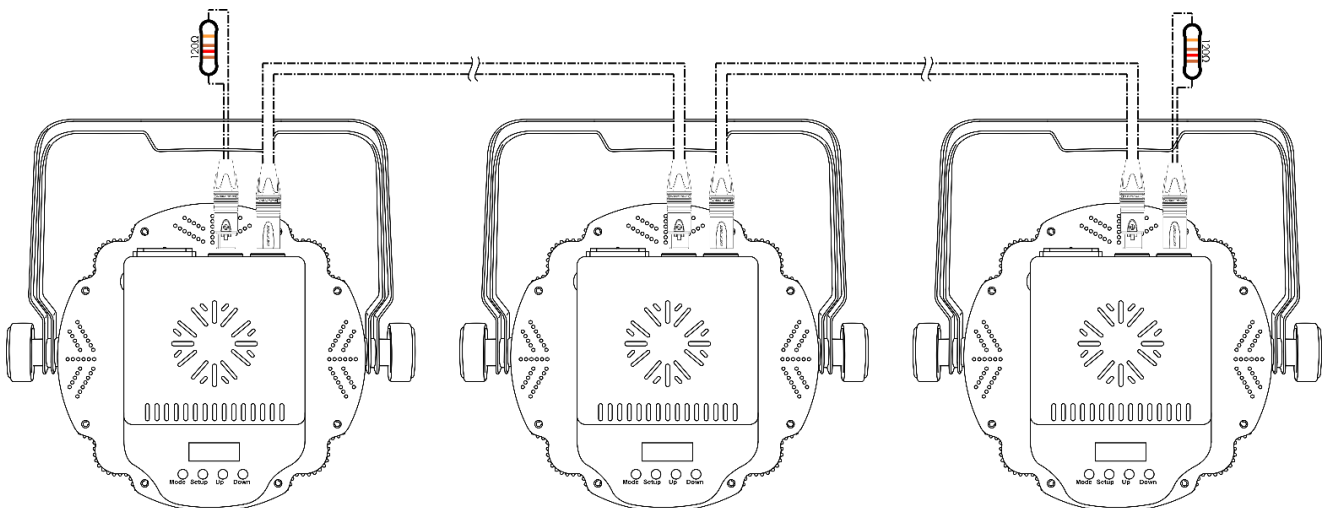
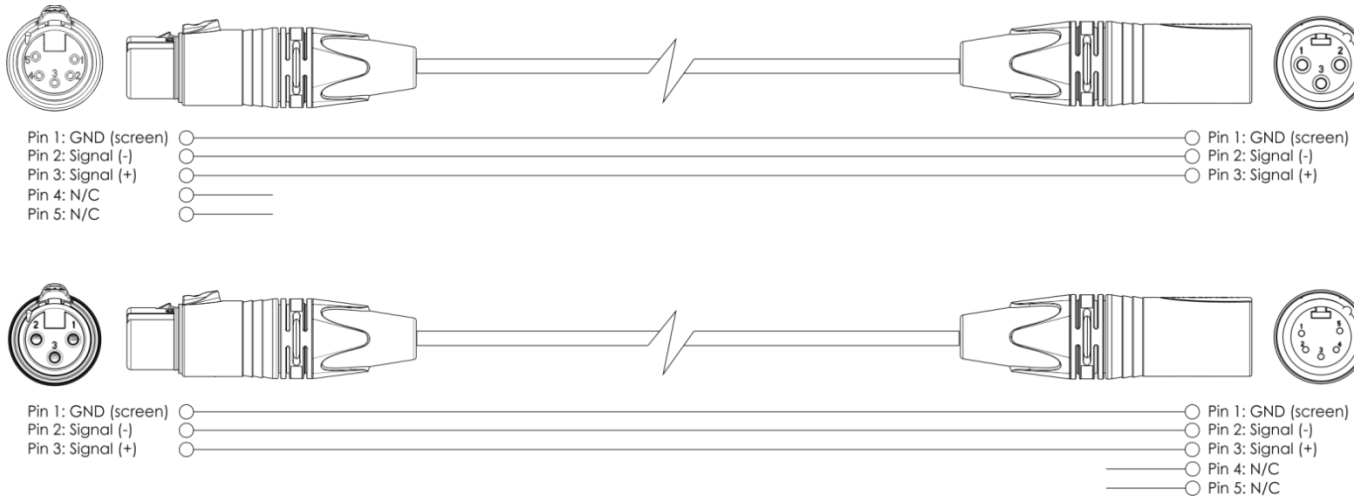


Fig. 03

Multiple Compact Pars (DMX Control)

- 01) Fasten the effect light to a firm trussing. Leave at least 0,5 meter on all sides for air circulation.
- 02) Always use a safety cable (ordercode 70140 / 70141).
- 03) Use a 3-pin XLR cable to connect the Compact Pars and other devices.



- 04) Link the units as shown in fig. 04. Connect the first unit's DMX "out" socket with the second unit's "in" socket, using a DMX-signal cable. Repeat this process to link the second, third, and fourth units.
- 05) Supply electric power: Plug electric mains power cords into each unit's IEC socket, then plug the other end of the mains power cord into proper electric power supply sockets, starting with the first unit. Do not supply power before the whole system is set up and connected properly.

Multiple Compact Pars DMX Set Up

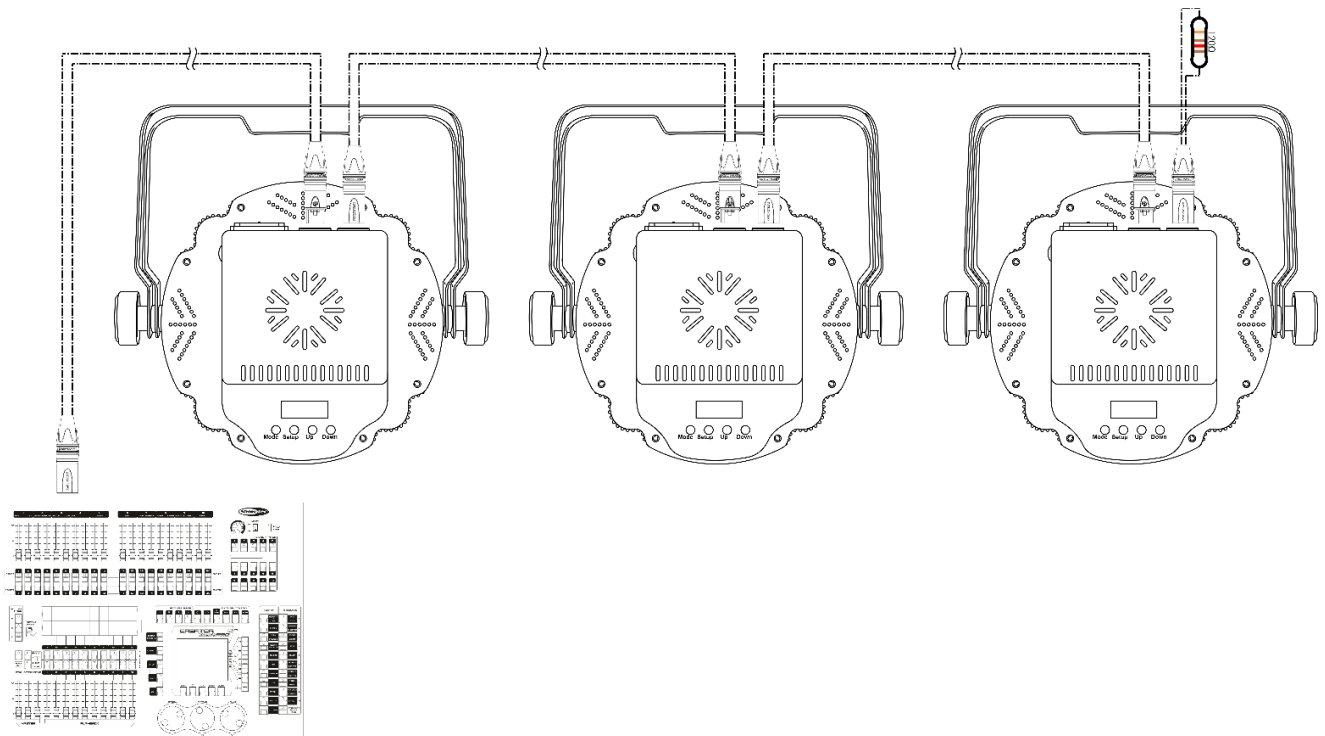


Fig. 04

Note : Link all cables before connecting electric power

Fixture Linking

You will need a serial data link to run light shows of one or more fixtures using a DMX-512 controller or to run synchronized shows of two or more fixtures set to a master/slave operating mode. The combined number of channels required by all the fixtures on a serial data link determines the number of fixtures the data link can support.

Important: Fixtures on a serial data link must be daisy-chained in a single line. To comply with the EIA-485 standard, no more than 30 devices should be connected on one data link. Connecting more than 30 fixtures on one serial data link without the use of a DMX optically isolated splitter may result in deterioration of the digital DMX signal.
Maximum recommended DMX data link distance: 100 meters
Maximum recommended number of fixtures on a DMX data link: 30 fixtures



Data Cabling

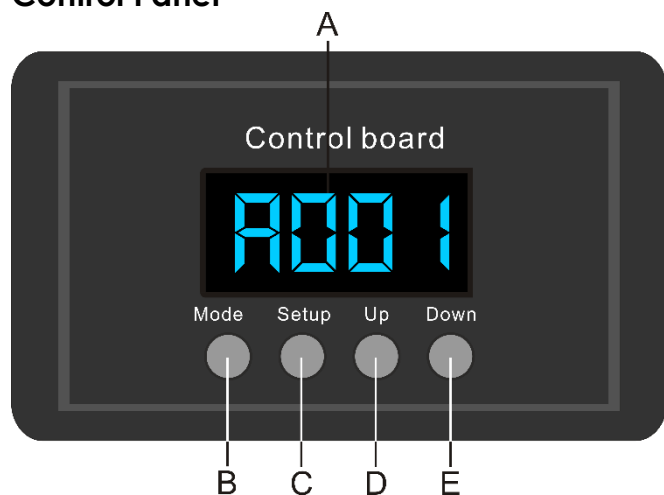
To link fixtures together, you must obtain data cables. You can purchase DAP Audio certified DMX cables directly from a dealer/distributor or construct your own cable. If you choose to create your own cable, please use data-grade cables that can carry a high quality signal and are less prone to electromagnetic interference.

DAP Audio DMX Data Cables

- DAP Audio Basic microphone cable for allround use. bal. XLR/M 3-pin > XLR/F 3-pin. **Ordercode** FL01150 (1,5 m), FL013 (3 m), FL016 (6 m), FL0110 (10 m), FL0115 (15 m), FL0120 (20 m).
- DAP Audio X-type data cable XLR/M 3-pin > XLR/F 3-pin. **Ordercode** FLX0175 (0,75 m), FLX01150 (1,5 m), FLX013 (3 m), FLX016 (6 m), FLX0110 (10 m).
- DAP Audio cable for the demanding user with exceptional audio-qualities and connector made by Neutrik®. **Ordercode** FL71150 (1,5 m), FL713 (3 m), FL716 (6 m), FL7110 (10 m).
- DAP Audio cable for the demanding user with exceptional audio-qualities and connector made by Neutrik®. **Ordercode** FL7275 (0,75 m), FL72150 (1,5 m), FL723 (3 m), FL726 (6 m), FL7210 (10 m).
- DAP Audio 110 Ohm cable with digital signal transmission. **Ordercode** FL0975 (0,75 m), FL09150 (1,5 m), FL093 (3 m), FL096 (6 m), FL0910 (10 m), FL0915 (15 m), FL0920 (20 m).
- DAP Audio DMX adapter: 3-pin/5-pin. **Ordercode** FLA30.

The Compact Par 7 Tri can be operated with a controller in **control mode** or without the controller in **stand-alone mode**.

Control Panel



- A) LED display
- B) MODE button
- C) SETUP button
- D) UP button
- E) DOWN button

Fig. 05

Control Mode

The fixtures are individually addressed on a data-link and connected to the controller. The fixtures respond to the DMX signal from the controller. (When you select the DMX address and save it, the controller will display the saved DMX address, next time.)

DMX Addressing

The control panel on the side of the device allows you to assign DMX fixture addresses, which is the first channel with which the Compact Par will respond to the controller.

Please note, when you use the controller, the unit has **8** channels.

When using multiple Compact Pars, make sure you set the DMX addresses right.

Therefore, the DMX address of the first Compact Par should be **1(001)**; the DMX address of the second Compact Par should be **1+8=9 (009)**; the DMX address of the third Compact Par should be **9+8=17 (017)**, etc. Please, be sure that you do not have any overlapping channels in order to control each Compact Par correctly. If two or more Compact Pars are addressed similarly, they will work similarly.

Controlling:

After having addressed all Compact Par fixtures, you may now start operating these via your lighting controller.

Note: After switching on, the Compact Par will automatically detect whether DMX 512 data is received or not. If there is no data received at the DMX-input, the "LED" on the control panel will not flash.

If not, the problem may be:

- The XLR cable from the controller is not connected with the input of the Compact Par.
- The controller is switched off or defective, the cable or connector is defective, or the signal wires are swapped in the input connector.

Note: It is necessary to insert an XLR termination plug (with 120 Ohm) in the last fixture in order to ensure proper transmission on the DMX data link.

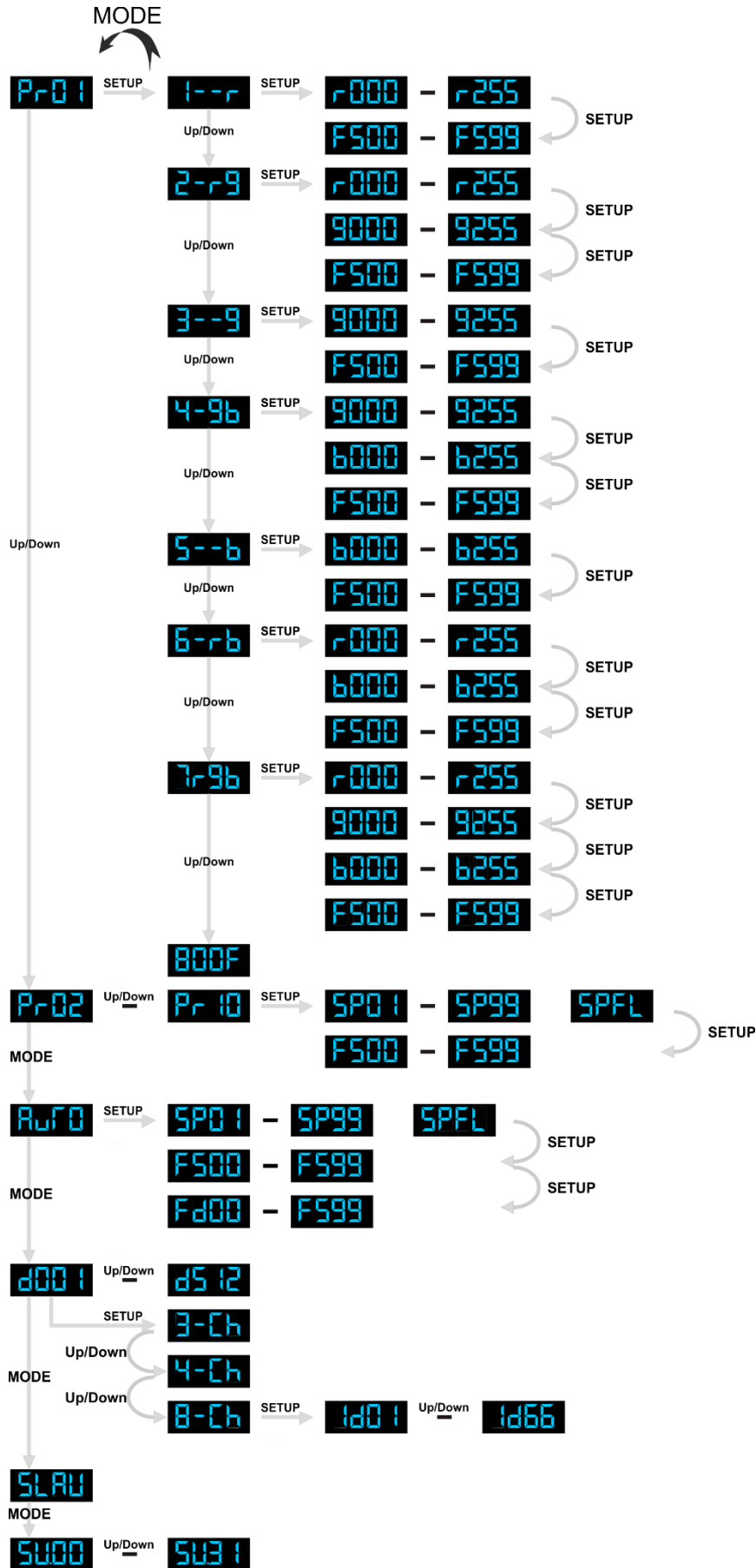
Display Off after 20 seconds

When no button is pressed for 20 seconds, the display will turn off.

To light up the display, you have to press the MODE, SETUP, UP or DOWN button.

Once you have pressed the button, the display will light up.

Menu Overview



Main Menu Options

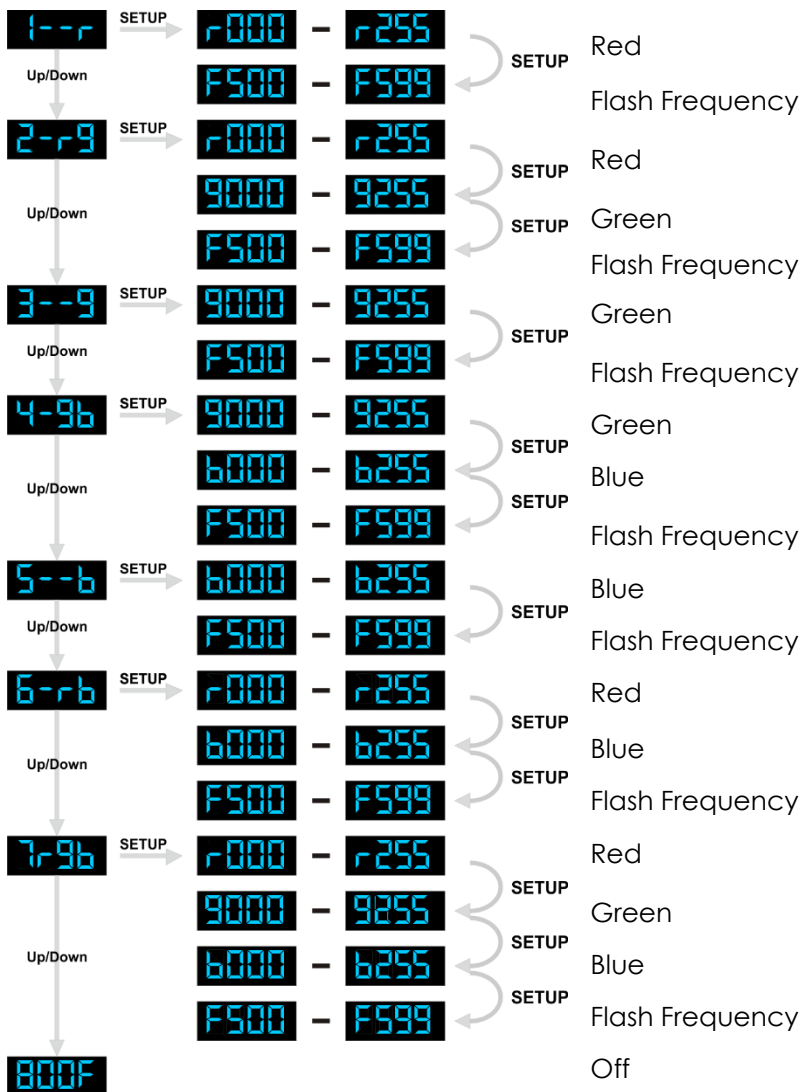


The Compact Par 7 Tri will only show its version number at start-up !



1. Built-in Programs

- 01) Press the **MODE** button, until the display shows **P-01**.
- 02) Now you can set the built-in programs. Press the **UP/DOWN** buttons to choose one of the 10 built-in programs: **P-01** $\xrightarrow{\text{Up/Down}}$ **P-10**.
- 03) When you select **P-01**, you can use a wide variety of manual color settings.
- 04) Press the **SETUP** button to switch between the built-in program menus.



05) When you select **Pr 02** ^{Up/Down} **Pr 10** , press the **SETUP** button to switch between the built-in program menus.

06) You can choose 2 different submenus.

SP01 - SP99 **SPFL** Program Running Speed from 01-99 and FL

F500 - F599 Flash Frequency from 00-99

07) Press the **SETUP** button to scroll through the menu.

2. Auto

01) Press the **MODE** button, until the display shows **Auto** .

02) Now you can set the Auto mode.

03) Press the **SETUP** button to enter the menu. Choose one of the 3 submenus.

SP01 - SP99 **SPFL** Program Running Speed from 01-99 and FL

F500 - F599 Flash Frequency from 00-99

Fd00 - F599 Fade from 00-99

04) Press the **SETUP** button to scroll through the menu.

3. DMX Mode

With this menu you can set the DMX address.

01) Press the **MODE** button, until the display shows **d001** .

02) Now you can choose 512 different DMX addresses.

03) Press the **UP/DOWN** buttons to select the required address from **d001** ^{Up/Down} **d512** .

04) Press the **SETUP** button to enter the DMX menu. Press the **UP/DOWN** buttons to select one of the 3 DMX modes.

3-Ch 3 channels

4-Ch 4 channels

8-Ch 8 channels

4. Slave Mode

When the display shows **SLAV** , the device will act as a slave device. It will now react the same as the master device.

5. Sound-controlled Mode

01) Press the **MODE** button, until the display shows **SU00** .

02) Turn on the music and the Compact Par will react to the beat of the music.

03) Press the **UP/DOWN** buttons to set the sound sensitivity. The adjustment range is between

SU00 ^{Up/Down} **SU31** , from OFF to high sensitivity.

DMX Channels

3 channels

Channel 1 – Red Dimmer intensity

0-255 Red from 0 – 100%

Channel 2 – Green Dimmer intensity

0-255 Green from 0 – 100%

Channel 3 – Blue Dimmer intensity

0-255 Blue from 0 – 100%

4 channels

Channel 1 – Dimmer

0-255 0-100% dimmer

Channel 2 – Red Dimmer intensity (Dimmer must be open )

0-255 Red from 0 – 100%

Channel 3 – Green Dimmer intensity (Dimmer must be open )

0-255 Green from 0 – 100%

Channel 4 – Blue Dimmer intensity (Dimmer must be open )

0-255 Blue from 0 – 100%

8 channels

Channel 1 – Dimmer

0-255 0-100% dimmer


Channel 2 – Red Dimmer intensity (Dimmer must be open, CH6 must be closed )

0-255 Red from 0 – 100%

Channel 2 – RGB Macros (Dimmer must be open, CH6 must be set between 1-24 )

0-8	Red (255)
9-17	Red (255), Green (50)
18-26	Red (255), Green (150)
27-35	Red (255), Green (255)
36-44	Red (200), Green (255)
45-53	Red (100), Green (255)
54-62	Red (40), Green (255)
63-71	Green (255)
72-80	Green (255), Blue (50)
81-89	Green (255), Blue (150)
90-98	Green (255), Blue (255)
99-107	Green (150), Blue (255)
108-116	Green (50), Blue (255)
117-125	Blue (255)
126-134	Red (50), Blue (255)
135-143	Red (150), Blue (250)
144-152	Red (255), Blue (255)

153-161	Red (220), Blue (50)
162-170	Red (150), Green (50), Blue (100)
171-179	Red (50), Green (180), Blue (220)
180-188	Red (50), Green (220), Blue (100)
189-197	Red (150), Green (220)
198-206	Red (150), Blue (220)
207-215	Green (180), Blue (220)
216-224	Green (220), Blue (50)
225-233	Red (220), Green (100), Blue (50)
234-242	Red (220), Green (200), Blue (100)
243-251	Red (255), Green (200), Blue (150)
252-255	Red (255), Green (255), Blue (255)

Channel 2 – Program Speed (CH6 must be set between 25-249 )

0-255 Program speed, from slow to fast

Channel 2 – Sound Sensitivity (CH6 must be set between 250-255 )

0-255 Sound sensitivity, from low to high sensitivity

Channel 3 – Green Dimmer intensity (Dimmer must be open )

0-255 Green from 0 – 100%

Channel 4 – Blue Dimmer intensity (Dimmer must be open )

0-255 Blue from 0 – 100%

Channel 5 – Strobe (Dimmer must be open )

0-9 Closed

10-255 Strobe effect, from low to high frequency

Channel 6 – Color Programs (Dimmer must be open )

0	Not functional
1-24	29 static color programs via CH2
25-49	Program 2 (7-color, color flow) R, RG, G, GB, B, RB, RGB
50-74	Program 3 (3-color, color flow) R, G, B
75-99	Program 4 (7-color, color switch) R, RG, G, GB, B, RB, RGB
100-124	Program 5 (3-color, color switch) R, G, B
125-149	Program 6 (fantasy change 1)
150-174	Program 7 (fantasy change 2)
175-199	Program 8 (red color flow)
200-224	Program 9 (green color flow)
225-249	Program 10 (blue color flow)
250-255	Sound-controlled mode

Channel 7 – ID Address

0-9	ID 1-66
10-19	ID1
20-29	ID2
30-39	ID3
40-49	ID4
50-59	ID5
60-69	ID6
70-79	ID7
80-89	ID8
90-99	ID9

100-109	ID10
110-119	ID11
120-129	ID12
130-139	ID13
140-149	ID14
150-159	ID15
160-169	ID16
170-179	ID17
180-189	ID18
190-199	ID19
200-209	ID20
210	ID21
211	ID22
212	ID23

•	•	•
•	•	•
•	•	•

251	ID62
252	ID63
253	ID64
254	ID65
255	ID66

Channel 8 – Fader Response

0-250	CH1, CH2, CH3, CH4 instant fader response
251-255	CH1, CH2, CH3, CH4 delayed fader response

Maintenance

The operator has to make sure that safety-related and machine-technical installations are to be inspected by an expert after every year in the course of an acceptance test.

The operator has to make sure that safety-related and machine-technical installations are to be inspected by a skilled person once a year.

The following points have to be considered during the inspection:

- 01) All screws used for installing the device or parts of the device have to be tightly connected and must not be corroded.
- 02) There may not be any deformations on housings, fixations and installation spots.
- 03) Mechanically moving parts like axles, eyes and others may not show any traces of wearing.
- 04) The electric power supply cables must not show any damages or material fatigue.

The Compact Par requires almost no maintenance. However, you should keep the unit clean. Otherwise, the fixture's light output will be significantly reduced. Disconnect the mains power supply, and then wipe the cover with a damp cloth. Do not immerse in liquid. Wipe lens clean with glass cleaner and a soft cloth. Do not use alcohol or solvents.

The front lens will require weekly cleaning, as smoke-fluid tends to build up residues, reducing the light output very quickly.

Keep connections clean. Disconnect electric power, and then wipe the DMX and audio connections with a damp cloth. Make sure connections are thoroughly dry before linking equipment or supplying electric power.

Replacing the Fuse

Power surges, short-circuit or inappropriate electrical power supply may cause a fuse to burn out.

If the fuse burns out, the product will not function whatsoever. If this happens, follow the directions below:

- 01) Unplug the unit from electric power source.
- 02) Insert a flat-headed screwdriver into a slot in the fuse cover. Gently pry up the fuse cover. The fuse will come out.
- 03) Remove the used fuse. If brown or unclear, it is burned out.
- 04) Insert the replacement fuse into the holder. Reinsert the fuse cover. Be sure to use a fuse of the same type and specification. See the product specification label for details.

Troubleshooting

This troubleshooting guide is meant to help solve simple problems.

If a problem occurs, carry out the steps below in sequence until a solution is found. Once the unit operates properly, do not carry out following steps.

No Light

If the light effect does not operate properly, refer servicing to a technician.

Suspect three potential problem areas as: the power supply, the LEDs, the fuse.

- 01) Power supply. Check that the unit is plugged into an appropriate power supply.
- 02) The LEDs. Return the Compact Par to your Showtec dealer.
- 03) The fuse. Replace the fuse. See page 19 for replacing the fuse.
- 04) If all of the above appears to be O.K., plug the unit in again.
- 05) If you are unable to determine the cause of the problem, do not open the Compact Par, as this may damage the unit and the warranty will become void.
- 06) Return the device to your Showtec dealer.

No Response to DMX

Suspect the DMX cable or connectors, a controller malfunction, a light effect DMX card malfunction.

- 01) Check the DMX setting. Make sure that DMX addresses are correct.
- 02) Check the DMX cable: Unplug the unit; change the DMX cable; then reconnect to electrical power. Try your DMX control again.
- 03) Determine whether the controller or light effect is at fault. Does the controller operate properly with other DMX products? If not, take the controller in for repair. If so, take the DMX cable and the light effect to a qualified technician.

Factory Reset

In case of unexpected software glitches or when the fixture does not respond properly, it may sometimes be necessary to reset the fixture. Do as follows:

- 01) Upon start-up, press and hold down the **MODE** and **SETUP** buttons for 5 seconds.

Problem	Probable cause(s)	Solution
One or more fixtures do not function at all	No power to the fixture	<ul style="list-style-type: none"> • Check if power is switched on and cables are plugged in
	Primary fuse blown	<ul style="list-style-type: none"> • Replace fuse
Fixtures reset correctly, but all respond erratically or not at all to the controller	The controller is not connected.	<ul style="list-style-type: none"> • Connect controller.
	3-pin XLR Out of the controller does not match XLR Out of the first fixture on the link (i.e. signal is reversed)	<ul style="list-style-type: none"> • Install a phase reversing cable between the controller and the first fixture on the link
Fixtures reset correctly, but some respond erratically or not at all to the controller	Poor data quality	<ul style="list-style-type: none"> • Check data quality. If much lower than 100 percent, the problem may be a bad data link connection, poor quality or broken cables, missing termination plug, or a defective fixture disturbing the link
	Bad data link connection	<ul style="list-style-type: none"> • Inspect connections and cables. Correct poor connections. Repair or replace damaged cables
	Data link not terminated with 120 Ohm termination plug	<ul style="list-style-type: none"> • Insert termination plug in output jack of the last fixture on the link
	Incorrect addressing of the fixtures	<ul style="list-style-type: none"> • Check address setting
	One of the fixtures is defective and disturbs data transmission on the link	<ul style="list-style-type: none"> • Bypass one fixture at a time until normal operation is restored: unplug both connectors and connect them directly together. • Have the defective fixture serviced by a qualified technician
	3-pin XLR Out on the fixtures does not match (pins 2 and 3 reversed)	<ul style="list-style-type: none"> • Install a phase-reversing cable between the fixtures or swap pin 2 and 3 in the fixture that behaves erratically
No light or LEDs cut out intermittently	Fixture is too hot	<ul style="list-style-type: none"> • Allow the fixture to cool down • Make sure air vents are not blocked • Turn up the air conditioning
	LEDs damaged	<ul style="list-style-type: none"> • Disconnect the fixture and return it to your dealer
	The power supply settings do not match local AC voltage and frequency	<ul style="list-style-type: none"> • Disconnect fixture. Check settings and correct if necessary

Product Specifications

Model:	Showtec Compact Par 7 Tri
Input voltage:	100-240V AC, 50/60Hz
Power consumption:	50W
DMX linking:	30 pcs
Fuse:	1A/250V
Dimensions:	275 x 95 x 256 mm (LxWxH)
Weight:	2,2 kg
Operating and Programming:	
Signal pin OUT:	Pin 1 (earth), pin 2 (-), pin 3 (+)
DMX Mode:	3, 4, 8 channels
Signal input:	3-pin DMX IN
Signal output:	3-pin DMX OUT
Electro-mechanical effects:	
Light source:	7 x 3-in-1 RGB LEDs
Lumens:	1540
Lux @ 2 m:	2002
Color mixing:	RGB
Beam angle:	40°
Refresh rate:	3,9 kHz
Drive current:	350 mA
Dimmer:	0-100%
Strobe:	0-20Hz
Max. distance:	20 m
Housing:	Aluminum and iron
DMX control:	via standard DMX controller
Onboard:	4-digit LED display for easy setup
Control:	Built-in programs, Auto, Sound-controlled, Master/Slave, DMX
Connections:	3-pin DMX IN/OUT and IEC power connector IN
Color:	Dark grey and black
Cooling:	Aluminum heat sink
Max. ambient temperature t_a :	40°C
Max. housing temperature t_B :	80°C
Minimum distance:	
Minimum distance from flammable surfaces:	0,5 m
Minimum distance to lighted object:	1 m

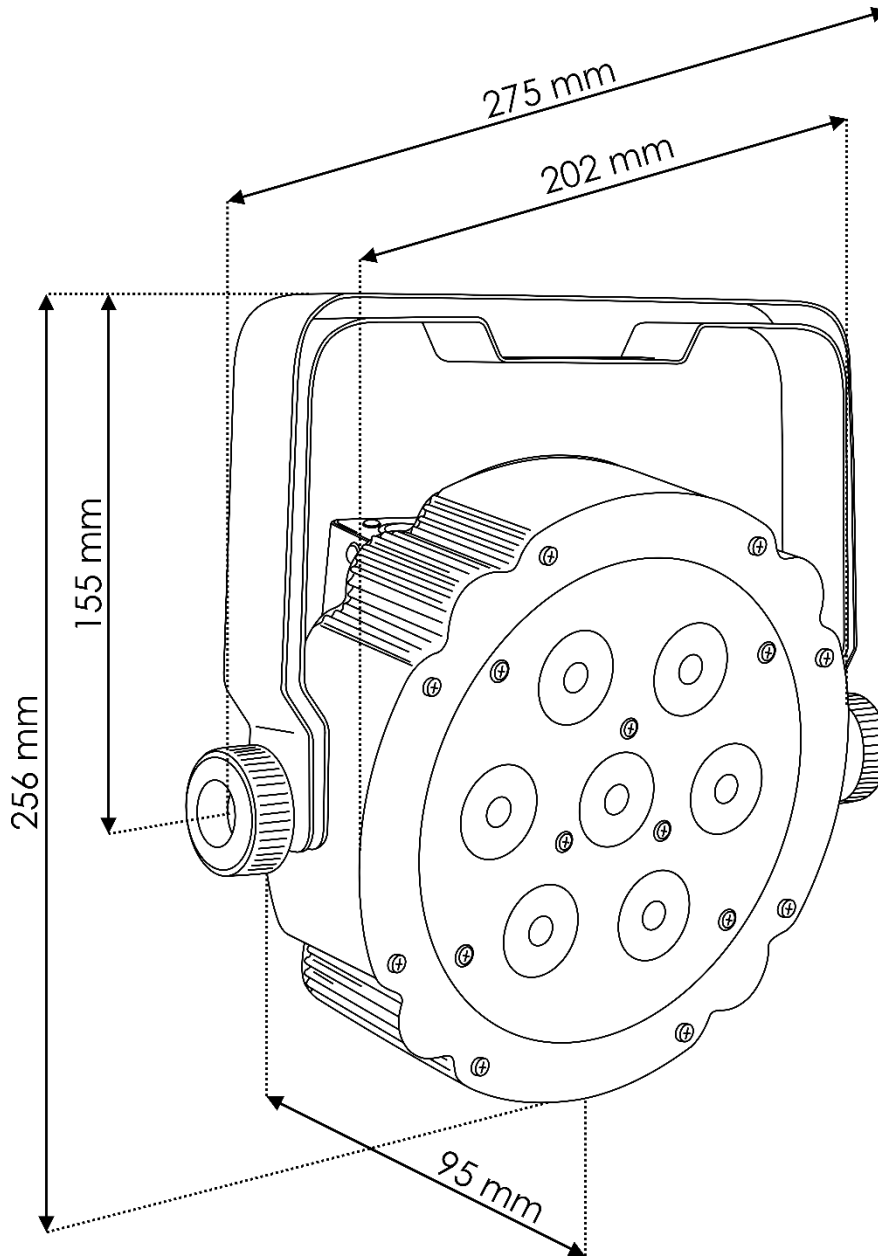
Design and product specifications are subject to change without prior notice.



Website: www.Showtec.info

Email: service@highlite.com

Dimensions





©2020 Showtec