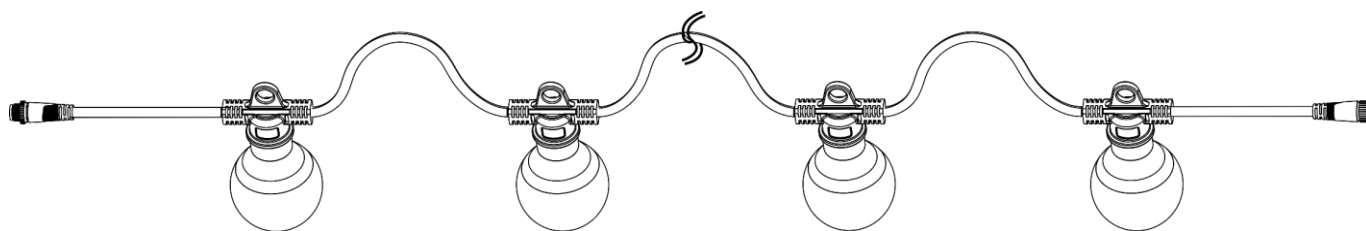




MANUAL



ENGLISH

Festoonlight Q4 String

V1

Order code: 41751

Table of contents

Warning2
 Safety Instructions2
 Operating Determinations3
 Rigging4
 Return Procedure5
 Claims5

Description of the Device6

Installation7
 Setup with 1–3 Festoonlight Q4 Strings7
 Setup with 4–6 Festoonlight Q4 Strings8

Setup and Operation9

Maintenance9

Troubleshooting9

Product Specifications10

Dimensions10

Warning



**For your own safety, please read this user manual carefully
before your initial start-up!**

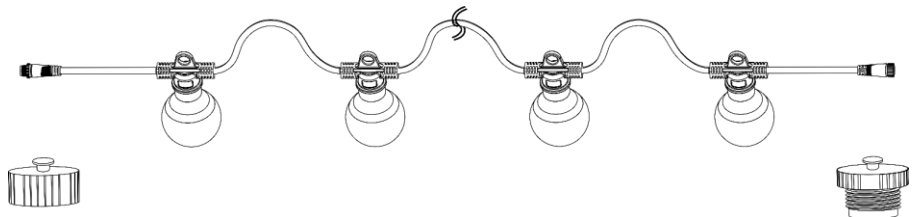


Unpacking Instructions

Immediately upon receiving this product, carefully unpack the carton and check the contents to ensure that all parts are present, and have been received in good condition. Notify the dealer immediately and retain packing material for inspection if any parts appear damaged from shipping or the carton itself shows signs of mishandling. Save the carton and all packing materials. In the event that a fixture must be returned to the factory, it is important that the fixture will be returned in the original factory box and packing.

Your shipment includes:

- 1 x Showtec Festoonlight Q4 String
- 2 x end caps
- User manual



Safety Instructions

Every person involved with the installation, operation and maintenance of this device has to:

- be qualified
- follow the instructions of this manual



**CAUTION! Be careful with your operations.
With a dangerous voltage you can suffer
a dangerous electric shock when touching the wires!**



Before the initial start-up, please make sure that there is no damage caused by transportation. Should there be any, consult your dealer and do not use the device.

To maintain perfect condition and to ensure a safe operation, it is absolutely necessary for the user to follow the safety instructions and warning notes contained in this manual.

Please consider that damages caused by manual modifications to the device are not subject to warranty.

This device contains no user-serviceable parts. Refer servicing to qualified technicians only.

IMPORTANT:

The manufacturer will not accept liability for any resulting damages caused by the non-observance of this manual or any unauthorized modification to the device.

- Do not connect the string to a dimmer pack.
- The bulbs can get hot after prolonged use. Do not touch them with bare hands. Allow the bulbs to cool down before handling.
- Do not allow the bulbs to rest on anything. Keep bulbs at least 10 cm from other objects.
- Do not modify or cut any part of the string light. Do not use if any part of this string light has been cut or modified.
- Do not hang using screws, nails, staples, or any other sharp fasteners that may pierce, abrade, or otherwise damage the cable.
- Do not secure the cable of the string light with staples or nails, or place on sharp hooks or nails.
- Do not hang ornaments or other objects on the cable.
- Do not turn the bulbs in the sockets. The sockets are not threaded. Turning the bulb in the socket may damage the LED parts attached to the socket.
- Avoid flames and do not put close to flammable liquids or gases.
- This product is not intended for permanent installation.
- This product may be exposed to rain and moisture, as long as the bulbs hang at 90° angle to the ground.
- Make sure that the product is not exposed to extreme heat, moisture or dust.
- Make sure that the cable is never crimped or damaged. Check the cord before each use.
- If your Showtec device fails to work properly, discontinue the use immediately. Pack the unit securely (preferably in the original packing material), and return it to your Showtec dealer for service.
- For adult use only. The fixture must be installed beyond the reach of children.
- This product is intended for temporary outdoor use (IP54). Do not expose the product to conditions which exceed the product's Ingress Protection (IP) rating.
- The user is responsible for correct installation and operating of the Festoonlight Q4 String. The manufacturer will not accept liability for damages caused by the misuse or incorrect installation of this device.
- Repairs, servicing and electric connection must be carried out by a qualified technician.
- WARRANTY: Till one year after date of purchase.

Operating Determinations

- This device is not designed for permanent operation. Consistent operation breaks will ensure that the device will serve you for a long time without defects.
- The maximum ambient temperature $t_a = 40\text{ °C}$ must never be exceeded.
- In order to eliminate wear and improve the device's lifespan, during periods of non-use, completely disconnect from power source via breaker or by unplugging.
- If this device is operated in any other way, than the one described in this manual, the product may suffer damages and the warranty becomes void.
- Any other operation may lead to dangers like short-circuit, burns, electric shock, crash etc.

You endanger your own safety and the safety of others!

Rigging

Please follow the European and national guidelines concerning rigging, trussing and all other safety issues.

Improper installation can cause serious injuries and/or damage of property!

The Festoonlight Q4 String can be installed in various ways, however always make sure that the bulbs hang at 90° angle to the ground. This will prevent rain or moisture from collecting in the lamp holders.

Before installing the string, make sure that there is adequate distance between the string and the controller. If necessary, use the extension cord supplied with the Festoonlight Q4 Controller. Do not use more than 1 extension cord per controller.

Make sure that the structure onto which you are mounting the Festoonlight Q4 String(s) can support the weight of the string(s).

If using a guide wire, attach the mounting eyelets on top of each bulb with the help of S-hooks, cable ties, or similar adequate fasteners.

If not using a guide wire, connect each string securely to structure at least at 4 points (at both ends and at 2 points in the middle).

Do not hang using screws, nails, staples, or any other sharp fasteners that may pierce, abrade, or otherwise damage the cable.

Do not use the cable to mount the string!

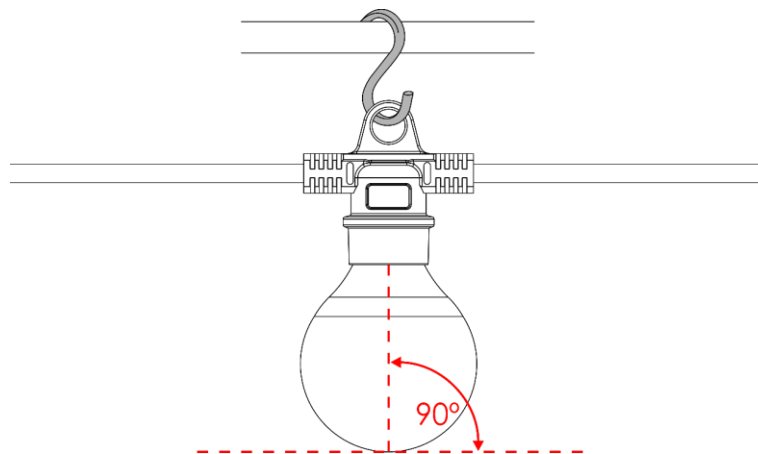


Fig. 01



Always make sure the bulbs hang at 90° angle to the ground.



Return Procedure

Returned merchandise must be sent prepaid and in the original packing, call tags will not be issued. Package must be clearly labeled with a Return Authorization Number (RMA number). Products returned without an RMA number will be refused. Highlite will not accept the returned goods or any responsibility. Call Highlite 0031-455667723 or mail aftersales@highlite.com and request an RMA prior to shipping the fixture. Be prepared to provide the model number, serial number and a brief description of the cause for the return. Be sure to properly pack fixture, any shipping damage resulting from inadequate packaging is the customer's responsibility. Highlite reserves the right to use its own discretion to repair or replace product(s). As a suggestion, proper UPS packing or double-boxing is always a safe method to use.

Note: If you are given an RMA number, please include the following information on a piece of paper inside the box:

- 01) Your name
- 02) Your address
- 03) Your phone number
- 04) A brief description of the symptoms

Claims

The client has the obligation to check the delivered goods immediately upon delivery for any shortcomings and/or visible defects, or perform this check after our announcement that the goods are at their disposal. Damage incurred in shipping is the responsibility of the shipper; therefore the damage must be reported to the carrier upon receipt of merchandise.

It is the customer's responsibility to report and submit claims with the shipper in the event that a fixture is damaged due to shipping. Transportation damage has to be reported to us within one day after receipt of the delivery.

Any return shipment has to be made post-paid at all times. Return shipments must be accompanied with a letter defining the reason for return shipment. Non-prepaid return shipments will be refused, unless agreed otherwise in writing.

Complaints against us must be prepared in writing or sent by fax within 10 working days after receipt of the invoice. After this period complaints will not be handled anymore.

Complaints will only then be considered if the client has so far complied with all parts of the agreement, regardless of the agreement from which the obligation is resulting.

Description of the Device

Features

The Festoonlight Q4 String features 20 pixels that can be controlled individually with the Festoonlight Q4 Controller. Up to 3 Festoonlight Q4 Strings can be connected to one controller. To extend the setup to a maximum of 6 strings, you will need the optional Festoonlight Q4 Booster.

- Light source: 5050 SMD RGBW LED
- Power consumption: 35 W
- Refresh rate: 1,9 KHz
- Bulbs per string: 20 pcs
- Bulb size: Ø 80 mm
- String length: 15 m
- Distance between bulbs: 0,75 m
- IP rating: IP54
- Weight: 4 kg



The Festoonlight Q4 String is designed to be operated ONLY with the Festoonlight Q4 Controller.

Note: The Festoonlight Q4 String is delivered without the Festoonlight Q4 Controller. You need to purchase the Festoonlight Q4 Controller separately. You can connect up to 3 strings to the controller without a booster. With a booster you can extend the setup to a maximum of 6 strings.

[41750](#) – Festoonlight Q4 Controller

[41752](#) – Festoonlight Q4 Booster

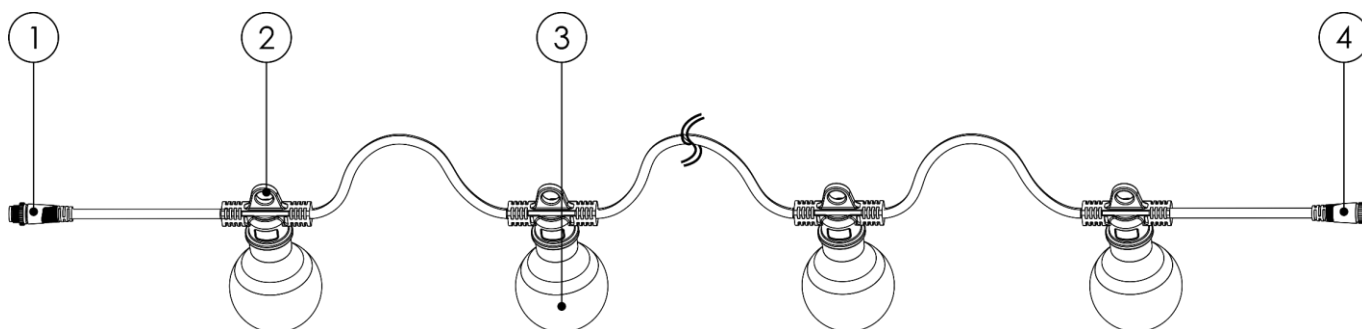


Fig. 02

- 01) Connector IN (to the Festoonlight Q4 Controller)
- 02) Mounting eyelet
- 03) Bulb
- 04) Connector OUT (to another Festoonlight Q4 String or to the Festoonlight Q4 Booster)

Installation

Remove all packing materials from the Festoonlight Q4 Controller. Check if all foam and plastic padding is removed.



The Festoonlight Q4 Strings can be installed outdoors. However, they are not designed for permanent outdoor use. The Festoonlight Q4 Controller must be installed indoors.



Always terminate the open end of the Festoonlight Q4 String when installed outdoors.

Setup with 1–3 Festoonlight Q4 Strings

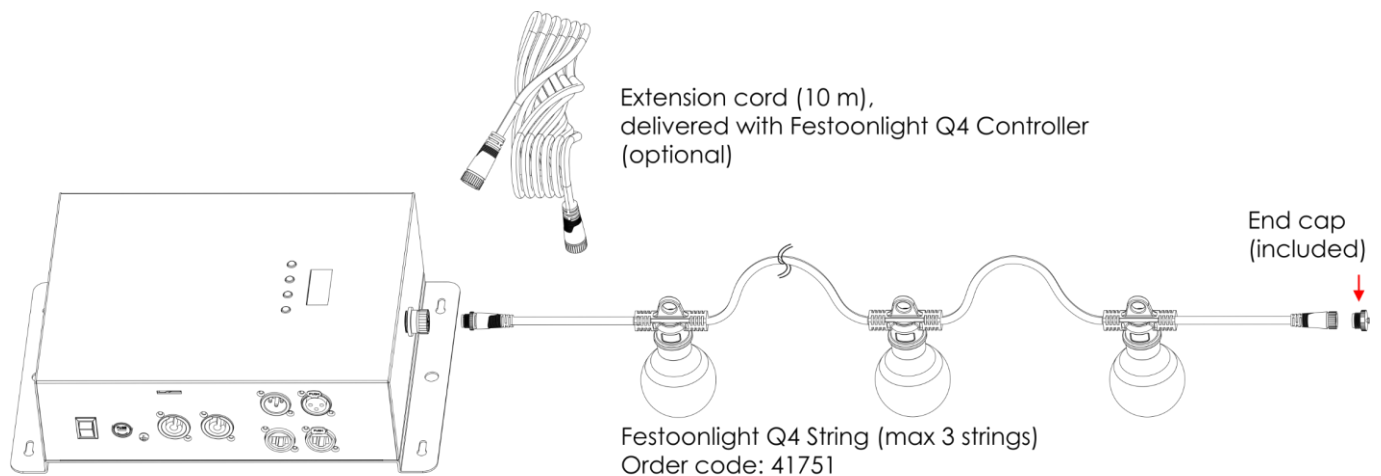
- 01) Connect the Festoonlight Q4 String to the dedicated connector on the Festoonlight Q4 Controller.
- 02) Use the supplied extension cord, if necessary.

Note: Do not use more than 1 extension cord for each controller in the setup.

- 03) Connect the 2nd and the 3rd Festoonlight Q4 Strings in a continuous line to the 1st Festoonlight Q4 String.

Note: You can connect up to 3 Festoonlight Q4 Strings to the controller without a booster.

- 04) Terminate the open end of the last string on the line with the end cap delivered with the Festoonlight Q4 String.



Festoonlight Q4 Controller
Order code: 41750

Fig. 03

Setup with 4–6 Festoonlight Q4 Strings

- 01) Follow steps 1–3 from **Setup with 1–3 Festoonlight Q4 Strings** to connect the first 3 strings.
- 02) Connect the splitter cable of the Festoonlight Q4 Booster to the 3rd string.
- 03) Connect the 4th string to the splitter cable of the booster.
- 04) Connect the 5th and the 6th strings in a continuous line to the 4th string.

Note: You can connect up to 6 Festoonlight Q4 Strings if you use a booster.

- 05) Terminate the open end of the last string on the line with the end cap delivered with the Festoonlight Q4 String.

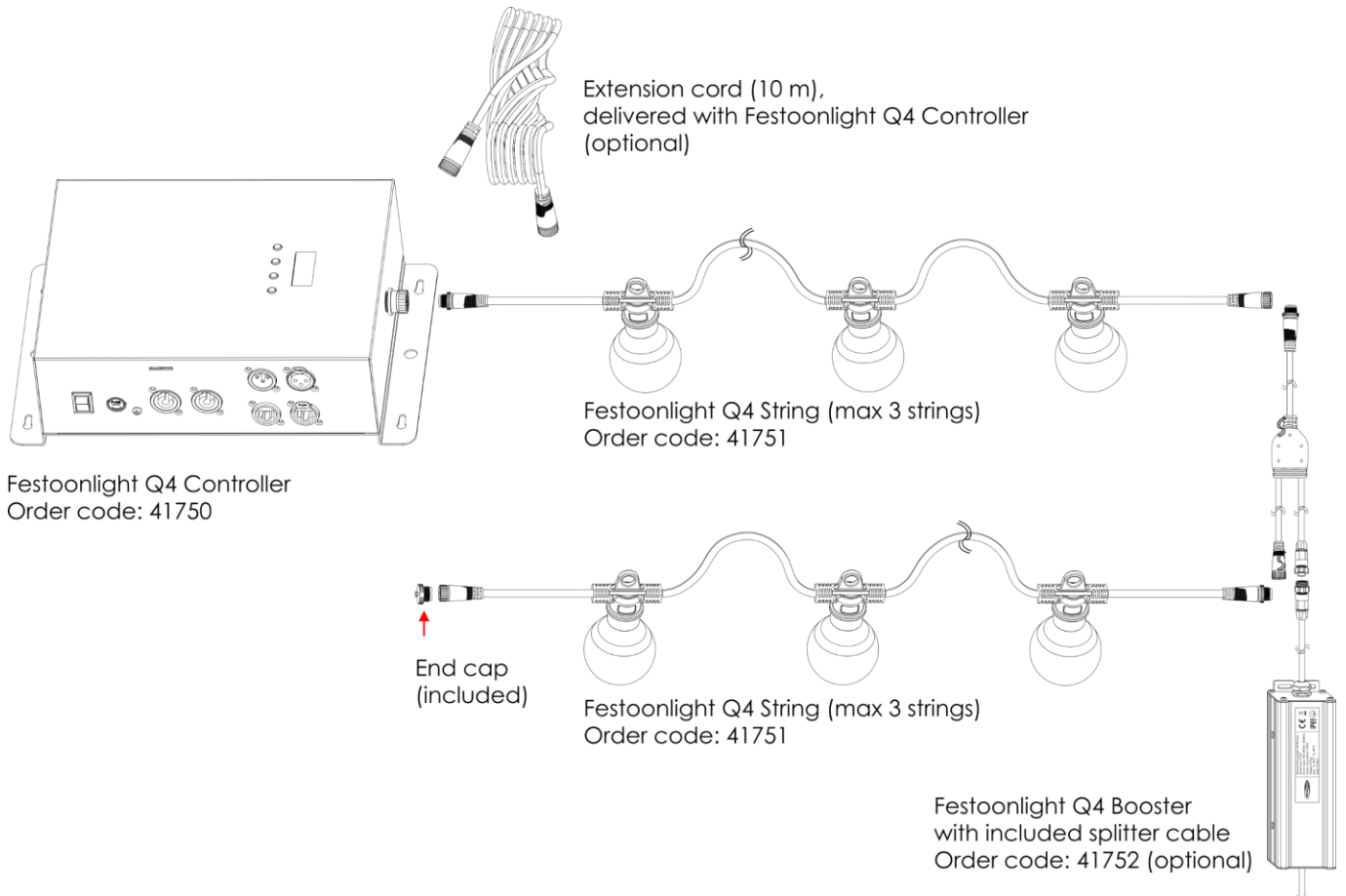


Fig. 04

**Do not supply power before the whole system is set up and connected properly.
Always disconnect from electric mains power supply before cleaning or servicing.
Damages caused by non-observance are not subject to warranty.**

Setup and Operation

Follow the directions below, as they pertain to your preferred operation mode.

Before plugging the unit in, always make sure that the power supply matches the product specification voltage. Do not attempt to operate a 120 V specification product on 230 V power, or vice versa.

After you have connected the Festoonlight String(s) to the Festoonlight Controller you can supply electric power to the setup.

The Festoonlight Q4 String is compatible only with the Festoonlight Q4 Controller. Refer to the user manual of the Festoonlight Q4 Controller for more information about the various operation modes and possibilities.

With the Festoonlight Q4 Controller you can play one of the 30 built-in programs. To control each of the 20 pixels on the string individually, you will need to set up a DMX or Art-Net connection to a computer or a lighting controller.



The Festoonlight Q4 String is not intended for permanent operation.

Maintenance

Inspect all parts and mounting points of the Festoonlight Q4 String before use. Do not use if parts are weakened, discolored, brittle, or otherwise degraded, damaged, or worn.

The Festoonlight Q4 String requires almost no maintenance. However, you should keep the unit clean. Disconnect the mains power supply, and then wipe the bulbs with a damp cloth. Do not immerse in liquid. Do not use alcohol or solvents.

Keep connections clean. Disconnect electric power, and then wipe the connections with a damp cloth. Make sure connections are thoroughly dry before linking equipment or supplying electric power.

Troubleshooting

This troubleshooting guide is meant to help solve simple problems.

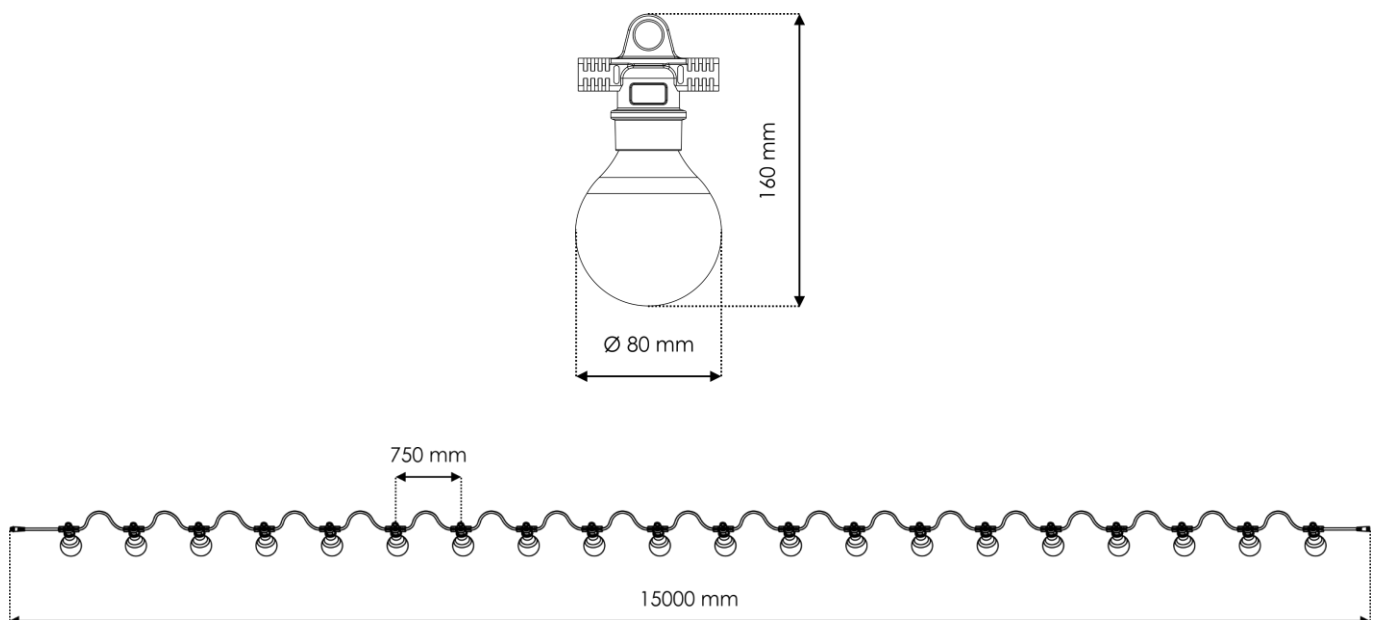
If a problem occurs, carry out the steps below in sequence until a solution is found. Once the unit operates properly, do not carry out following steps.

Problem	Probable cause(s)	Solution
No light at all	No power to the fixture	<ul style="list-style-type: none"> Check if power is switched on and cables are plugged in
	Defective DMX source	<ul style="list-style-type: none"> Replace DMX source
	Bad data link	<ul style="list-style-type: none"> Inspect the RJ45 connectors and correct poor connections
	Incorrect addressing	<ul style="list-style-type: none"> Check addresses and protocol settings
No light in one LED ball	Defective LED	<ul style="list-style-type: none"> Replace LED string
	No DMX signal is received from source	<ul style="list-style-type: none"> Replace DMX source Check DMX addressing and protocol settings
	Defective DMX source	<ul style="list-style-type: none"> Replace DMX source
	Incorrect addressing	<ul style="list-style-type: none"> Check DMX addressing and protocol settings
Low light output from a LED ball near the end of the string	Insufficient voltage from power source	<ul style="list-style-type: none"> Replace LED string
		<ul style="list-style-type: none"> Check power source specifications and replace power source if necessary Inspect power source for defects and repair or replace power source

Product Specifications

Model:	Showtec Festoonlight Q4 String
Light source:	5050 SMD RGBW LED
Power consumption:	35 W
Refresh rate:	1,9 KHz
Bulbs per string:	20 pcs
Bulb size:	Ø 80 mm
String length:	15 m
Distance between bulbs:	0,75 m
IP rating	IP54
Weight:	4 kg
Controller:	Not included
Max. ambient temperature t_a :	40 °C

Dimensions



Design and product specifications are subject to change without prior notice.



Website: www.Showtec.info
Email: service@highlite.com



©2019 Showtec