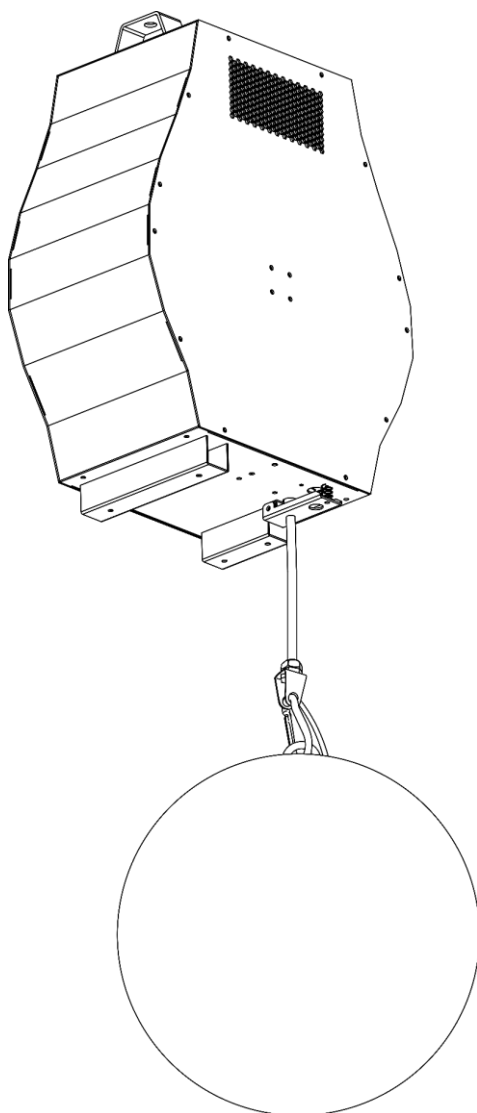




MANUAL



ENGLISH

Illumilift RGBW Turbo

V1

Order code: 41166

Table of contents

Warning	2
Safety Instructions	3
Operating Determinations	4
Rigging	5
Connection with the mains.....	6
Return Procedure	6
Claims.....	6
Description of the device	7
Overview	7
Controller	8
LED Sphere	9
Installation	9
Setup and Operation	9
Control Modes.....	10
One Illumilift (Manual)	10
Multiple Illumilifts (DMX Control)	10
Fixture Linking.....	11
Data Cabling.....	11
Control Panel.....	12
Control Mode	12
DMX Addressing.....	12
Menu Overview.....	13
Main Menu Options.....	14
1. DMX Addressing.....	14
2. Channel Mode.....	14
3. Manual.....	14
4. Reset.....	14
DMX Channels	15
6 Channels	15
10 Channels	16
Maintenance	17
Replacing the Fuse.....	17
Troubleshooting	17
No Light.....	17
No Response to DMX.....	18
Product Specifications	19
Dimensions	20
Notes	21

Warning



For your own safety, please read this user manual carefully
before your initial start-up!



Power the device up **ONLY** when the LED sphere **IS INSTALLED**.
Power the device up **ONLY** when the controller is in **VERTICAL** position.



The built-in winch system resets itself upon each start-up. If the controller is not in vertical position and/or the LED sphere is not installed, it may result in twisting of the cable that may cause damage to the built-in winch system and the warranty will become void.



Before powering the Illumilift up, always make sure that:



- the controller is positioned **VERTICALLY**.
- the LED sphere is installed and secured by means of the safety eye.
- the cable tie, keeping the hoisting cable in position, is removed.
- the hoisting cable is not loose.
- the maximum cable load (**2 kg**) is not exceeded.
- the movement of the Illumilift is not interrupted in any way.

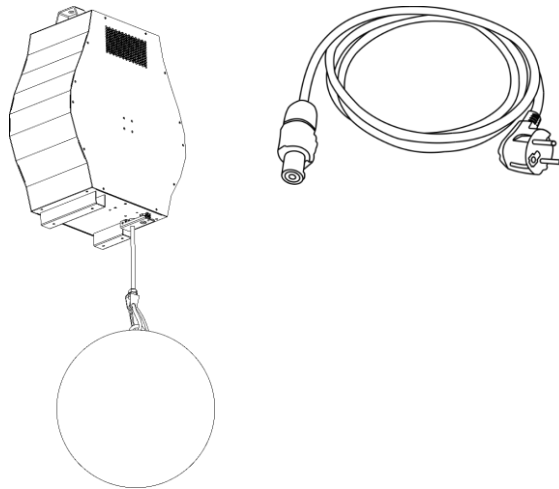


Unpacking Instructions

Immediately upon receiving this product, carefully unpack the carton and check the contents to ensure that all parts are present, and have been received in good condition. Notify the dealer immediately and retain packing material for inspection if any parts appear damaged from shipping or the carton itself shows signs of mishandling. Save the carton and all packing materials. In the event that a fixture must be returned to the factory, it is important that the fixture be returned in the original factory box and packing.

Your shipment includes:

- Showtec Illumilift RGBW Turbo
- LED sphere (35 cm)
- Pro power cable (1,7 m)
- 2 x mounting bracket
- User manual



LED Expected Lifespan

LEDs gradually decline in brightness over time. HEAT is the dominant factor that leads to the acceleration of this decline. Packaged in clusters, LEDs exhibit higher operating temperatures than in ideal or singular optimum conditions. For this reason, when all color LEDs are used at their fullest intensity, life of the LEDs is significantly reduced. If improving the lifespan is of higher priority, place care in providing for lower operational temperatures. This may include climatic-environmental and the reduction of overall projection intensity.



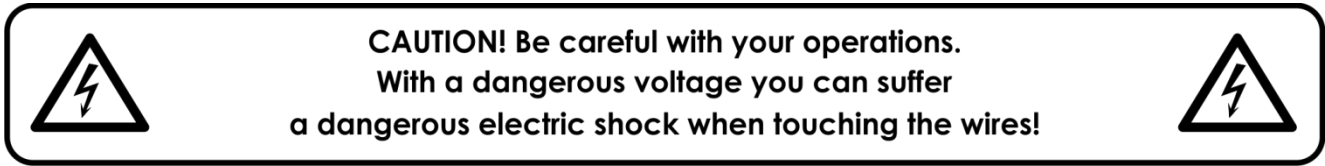
CAUTION!
Keep this device away from rain and moisture!
Unplug mains lead before opening the housing!



Safety Instructions

Every person involved with the installation, operation and maintenance of this device has to:

- be qualified
- follow the instructions of this manual



Before the initial start-up, please make sure that there is no damage caused by transportation.

Should there be any, consult your dealer and do not use the device.

To maintain perfect condition and to ensure a safe operation, it is absolutely necessary for the user to follow the safety instructions and warning notes contained in this manual.

Please consider that damages caused by manual modifications to the device are not subject to warranty.

This device contains no user-serviceable parts. Refer servicing to qualified technicians only.

IMPORTANT:

The manufacturer will not accept liability for any resulting damages caused by the non-observance of this manual or any unauthorized modification to the device.

- Never let the power cord come into contact with other cables! Handle the power cord and all connections with the mains with particular caution!
- Never modify, bend, mechanically strain, put pressure on, pull or heat up the power cord.
- Never strain the cable. There must always be sufficient cable going to the device. Otherwise, the cable will be damaged, which can cause serious damage.
- Never remove warning or informative labels from the unit.
- Never use anything to cover the ground contact.
- Never place any material over the LEDs.
- Never look directly into the light source.
- Never leave any cables lying around.
- Never use the device during thunderstorms, unplug the device immediately.
- Never leave various parts of the packaging (plastic bags, polystyrene foam, nails, etc.) within children's reach, as they are potential sources of danger.
- Do not insert objects into air vents.
- Do not open the device and do not modify the device.
- Do not connect this device to a dimmer pack.
- Do not switch the device on and off in short intervals, as this will reduce the device's life.
- Do not touch the device's housing bare-handed during its operation.
- Do not shake the device. Avoid brute force when installing or operating the device.
- Do not stand under the Illumilift, once it has been mounted.
- Only use the device indoors, avoid contact with water or other liquids.
- Only operate the device after having checked if the housing is firmly closed and all screws are tightly fastened.
- Only operate the device after having familiarized with its functions.
- Avoid flames and do not put close to flammable liquids or gases.
- Always allow a free air space of at least 50 cm around the unit for ventilation.
- Always disconnect power from the mains, when device is not used or before cleaning! Only handle the power cord holding it by the plug. Never pull out the plug by tugging the power cord.
- Make sure that the device is not exposed to extreme heat, moisture or dust.
- Make sure that the available voltage is not higher than stated on the rear panel.
- Make sure that the power cord and the hoisting cable are never crimped or damaged. Check the device, the power cord and the hoisting cable from time to time.

- Make sure that the core diameter of extension cords and power cords is sufficient for the required power consumption of the device.
- Make sure that the movement of the Illumilift is not interrupted in any way by decoration parts, etc.
- Make sure that the Illumilift cannot start swinging due to air streams, etc. The LED sphere and the winch system should be hung and operated absolutely vibration-free.
- Make sure that there is enough separation between the Illumilift and the objects installed below.
- Regularly examine whether the link and the hoist have any deformations. If they do, immediately detach the LED sphere and do not use the Illumilift.
- If the LEDs are obviously damaged, they need to be replaced to prevent their functions from being impaired, due to cracks or deep scratches.
- If the external cable is damaged, it has to be replaced by a qualified technician.
- If device was dropped or struck, disconnect mains power supply immediately. Have a qualified engineer inspect for safety before operating.
- If the device has been exposed to drastic temperature fluctuation (e.g. after transportation), do not switch it on immediately. The arising condensation water might damage your device. Leave the device switched off until it has reached room temperature.
- If your Showtec device fails to work properly, discontinue the use immediately. Pack the unit securely (preferably in the original packing material), and return it to your Showtec dealer for service.
- For adult use only. The device must be installed beyond the reach of children. Never leave the unit running unattended.
- Never attempt to bypass the thermostatic switch or fuses.
- For replacement use fuses of same type and rating only.
- The user is responsible for correct positioning and operating of the device. The manufacturer will not accept liability for damages caused by the misuse or incorrect installation of this device.
- This device falls under protection class I. Therefore it is essential to connect the yellow/green conductor to earth.
- Repairs, servicing and electric connection must be carried out by a qualified technician.
- WARRANTY: Till one year after date of purchase.



CAUTION! Eyedamages!!!
Avoid looking directly into the lightsource!!!
(meant especially for epileptics)!!!



Operating Determinations

- This device is not designed for permanent operation. Consistent operation breaks will ensure that the device will serve you for a long time without defects.
- The minimum distance between light output and the illuminated surface must be bigger than 0,5 meter.
- To eliminate wear and improve lifespan, during periods of non-use, completely disconnect from power via breaker or by unplugging.
- The maximum ambient temperature $t_a = 40\text{ °C}$ must never be exceeded.
- The relative humidity must not exceed 50 % with an ambient temperature of 40 °C.
- If this device is operated in any other way than the one described in this manual, the product may suffer damages and the warranty becomes void.
- Any other operation may lead to dangers like short-circuit, burns, electric shock, crash, etc.

You endanger your own safety and the safety of others!

Rigging

Please follow the European and national guidelines concerning rigging, trussing and all other safety issues.

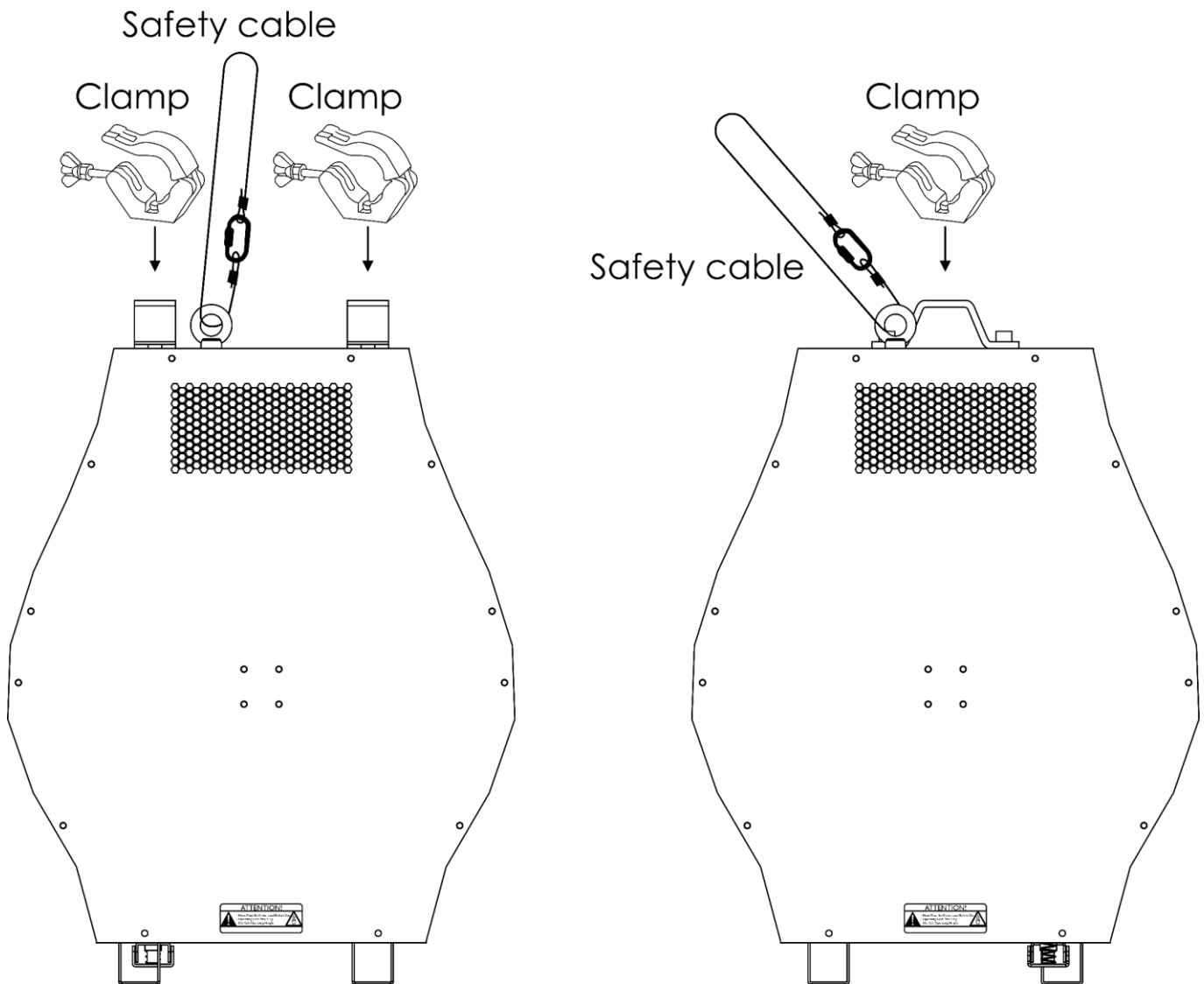
Do not attempt the installation yourself !

Always let the installation be carried out by an authorized dealer !

Procedure:

- If the Illumilift is lowered from the ceiling or high joists, professional trussing systems have to be used.
- The Illumilift must never be fixed swinging freely in the room.
- The installation must always be secured with a safety attachment, e.g. an appropriate safety net or a safety cable that can hold a minimum point load of 10 times the device's load (e.g. maximum load: 3 kg = point load: 30 kg).
- When rigging, derigging or servicing the device, always make sure, that the area below the installation place is blocked and staying in the area is forbidden.

Improper installation can cause serious injuries and/or damage of property!




The Illumilift can be mounted to any kind of truss with 1 or 2 clamps.

Improper installation can cause serious injuries and/or damage of property!

Connection with the mains

Connect the device to the mains with the power-plug.
Always check if the right color cable is connected to the right place.

International	EU Cable	UK Cable	US Cable	Pin
L	BROWN	RED	YELLOW/COPPER	PHASE
N	BLUE	BLACK	SILVER	NEUTRAL
	YELLOW/GREEN	GREEN	GREEN	PROTECTIVE GROUND

Make sure that the device is always properly connected to the earth!

Improper installation can cause serious injuries and/or damage of property!



 Return Procedure 

Returned merchandise must be sent prepaid and in the original packing, call tags will not be issued. Package must be clearly labeled with a Return Authorization Number (RMA number). Products returned without an RMA number will be refused. Highlite will not accept the returned goods or any responsibility. Call Highlite 0031-455667723 or mail offersales@highlite.com and request an RMA prior to shipping the fixture. Be prepared to provide the model number, serial number and a brief description of the cause for the return. Be sure to properly pack fixture, any shipping damage resulting from inadequate packaging is the customer's responsibility. Highlite reserves the right to use its own discretion to repair or replace product(s). As a suggestion, proper UPS packing or double-boxing is always a safe method to use.

Note: If you are given an RMA number, please include the following information on a piece of paper inside the box:

- 01) Your name
- 02) Your address
- 03) Your phone number
- 04) A brief description of the symptoms

Claims

The client has the obligation to check the delivered goods immediately upon delivery for any shortcomings and/or visible defects, or perform this check after our announcement that the goods are at their disposal. Damage incurred in shipping is the responsibility of the shipper; therefore the damage must be reported to the carrier upon receipt of merchandise.

It is the customer's responsibility to report and submit claims with the shipper in the event that a fixture is damaged due to shipping. Transportation damage has to be reported to us within one day after receipt of the delivery.

Any return shipment has to be made post-paid at all times. Return shipments must be accompanied with a letter defining the reason for return shipment. Non-prepaid return shipments will be refused, unless agreed otherwise in writing.

Complaints against us must be prepared in writing or sent by fax within 10 working days after receipt of the invoice. After this period complaints will not be handled anymore.

Complaints will only then be considered if the client has so far complied with all parts of the agreement, regardless of the agreement from which the obligation is resulting.

Description of the device

Features

The Illumilift RGBW Turbo is a LED sphere control system with high output and great effects.

- Input voltage: 100–240 V AC, 50/60 Hz
- Power consumption: 80 W
- Maximum cable load: 2 kg
- Lifting height: 6 m
- Lifting speed: 0–2,5 m/s
- Lifting cable: 5 x 0,5 mm²
- Power on cable: 4 channels max. 18 V DC, max. 0,3A per channel
- Refresh rate: 19,6 kHz
- Dimmer: 0–100 %
- Strobe: 0–20 Hz
- DMX control: via standard DMX controller
- DMX channels: 6, 10 channels
- Control: Manual, DMX-512
- Housing: Metal & flame-retardant plastic
- Cooling: Cooling fan
- Color: Black
- IP rating: IP20
- Connections: 3-pin XLR IN/OUT, pro power connector IN/OUT
- Fuse: F3AL/250V
- Dimensions: 370 x 190 x 498 mm (LxWxH)
- Weight (controller): 12,24 kg
- Weight (LED sphere): 1,56 kg

Optional accessories

[41167](#) – Illumilift RGBW LED sphere (25 cm)

[41168](#) – Illumilift RGBW LED sphere (35 cm)

Overview

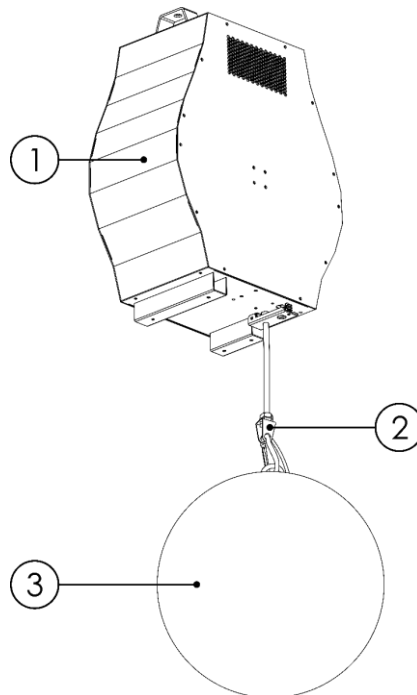


Fig. 01

01) Controller

02) Winch system + hoisting cable (6 m)

03) LED sphere (35 cm)

Controller

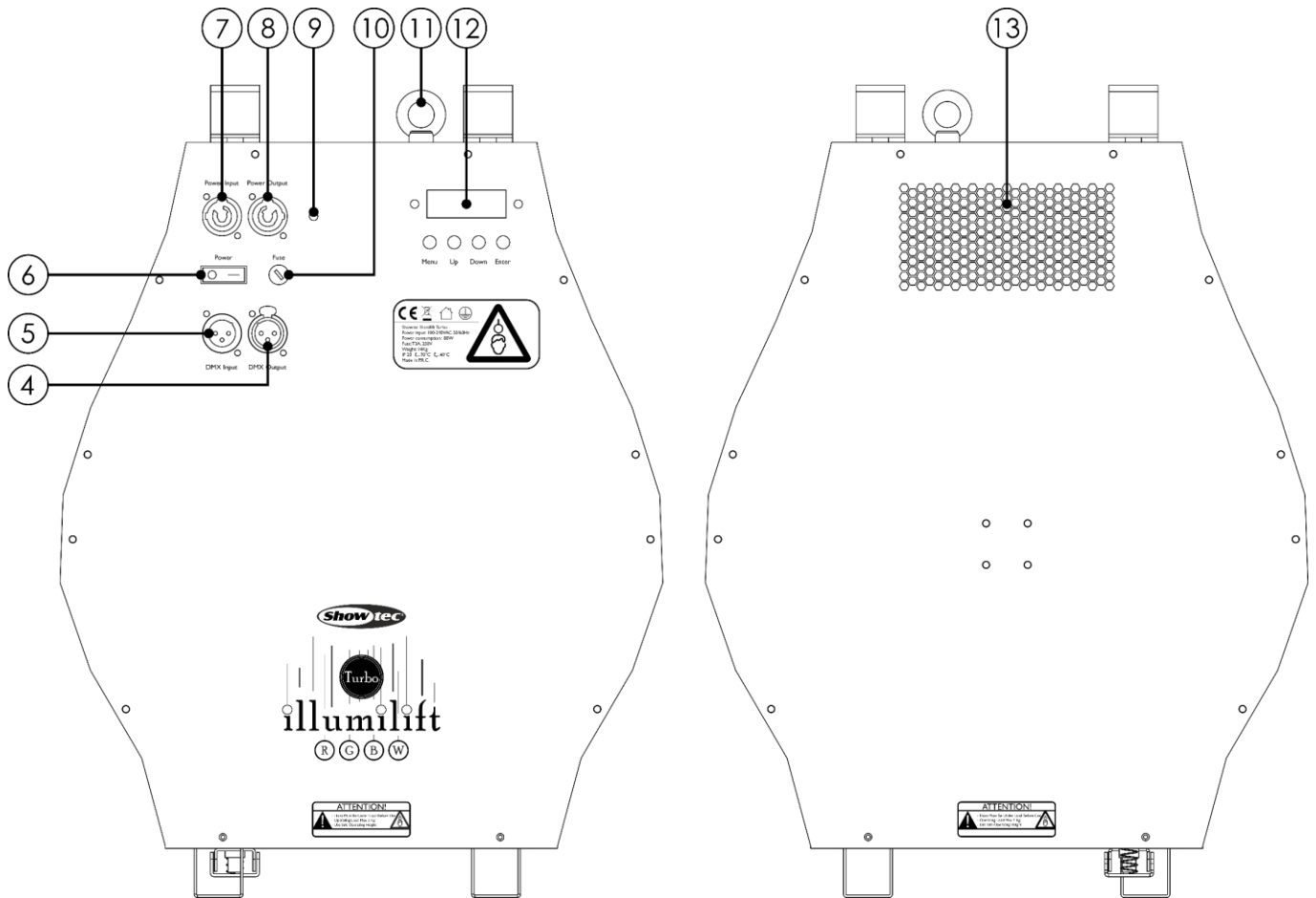


Fig. 02

- 04) 3-pin DMX signal connector OUT
- 05) 3-pin DMX signal connector IN
- 06) Power switch ON/OFF
- 07) 100–240 V pro power connector IN (Blue)
- 08) 100–240 V pro power connector OUT (Gray)
- 09) Ground/earth connection
- 10) Fuse F3AL/250V
- 11) Safety eye
- 12) LED display + control buttons
- 13) Air grill

LED Sphere

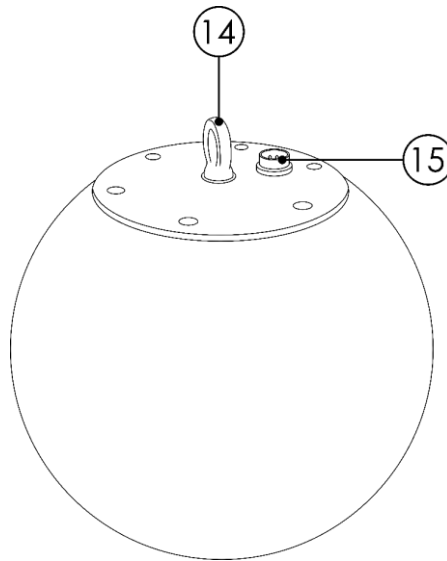


Fig. 03

- 14) Safety eye
- 15) 5-pin signal connector IN

Installation

Remove all packing materials from the Illumilift RGBW Turbo. Check if all foam and plastic padding is removed. Connect all cables.

Do not supply power before the whole system is set up and connected properly.
Always disconnect from electric mains power supply before cleaning or servicing.
Damages caused by non-observance are not subject to warranty.



Power the device up ONLY when the LED sphere IS INSTALLED.
Power the device up ONLY when the controller is in VERTICAL position.



The built-in winch system resets itself upon each start-up. If the controller is not in vertical position and/or the LED sphere is not installed, it may result in twisting of the cable that may cause damage to the built-in winch system and the warranty will become void.



Before powering the Illumilift up, always make sure that:



- the controller is positioned **VERTICALLY**.
- the LED sphere is installed and secured by means of the safety eye.
- the cable tie, keeping the hoisting cable in position, is removed.
- the hoisting cable is not loose.
- the maximum cable load (2 kg) is not exceeded.
- the movement of the Illumilift is not interrupted in any way.



Setup and Operation

Follow the directions below, as they pertain to your preferred operation mode.

Before plugging the unit in, always make sure that the power supply matches the product specification voltage. Do not attempt to operate a 120 V specification product on 230 V power, or vice versa. Connect the device to the main power supply.

Control Modes

- There are 2 modes:
- Manual
 - DMX-512 (6CH, 10CH)

One Illumilift (Manual)

- 01) Fasten the effect light to a firm trussing. Leave at least 0,5 meter on all sides for air circulation.
- 02) Always use a safety cable (ordercode 70140 / 70141).
- 03) Plug the end of the electric mains power cord into a proper electric power supply socket.
- 04) When the Illumilift is not connected with a DMX cable, it functions as a stand-alone device. Please see page 14 for more information about Manual mode.

Multiple Illumilifts (DMX Control)

- 01) Fasten the effect light to a firm trussing. Leave at least 0,5 meter on all sides for air circulation.
- 02) Always use a safety cable (ordercode 70140 / 70141).
- 03) Use a 3-pin XLR cable to connect the Illumilifts and other devices.



- 04) Link the units as shown in Fig. 04. Connect the first unit's DMX "out" socket with the second unit's "in" socket, using a DMX signal cable. Repeat this process to link the second, third and fourth units.
- 05) Supply electric power: Plug electric mains power cords into each unit's pro power socket, then plug the other end of the mains power cord into proper electric power supply sockets, starting with the first unit. Do not supply power before the whole system is set up and connected properly.

Multiple Illumilifts DMX Setup

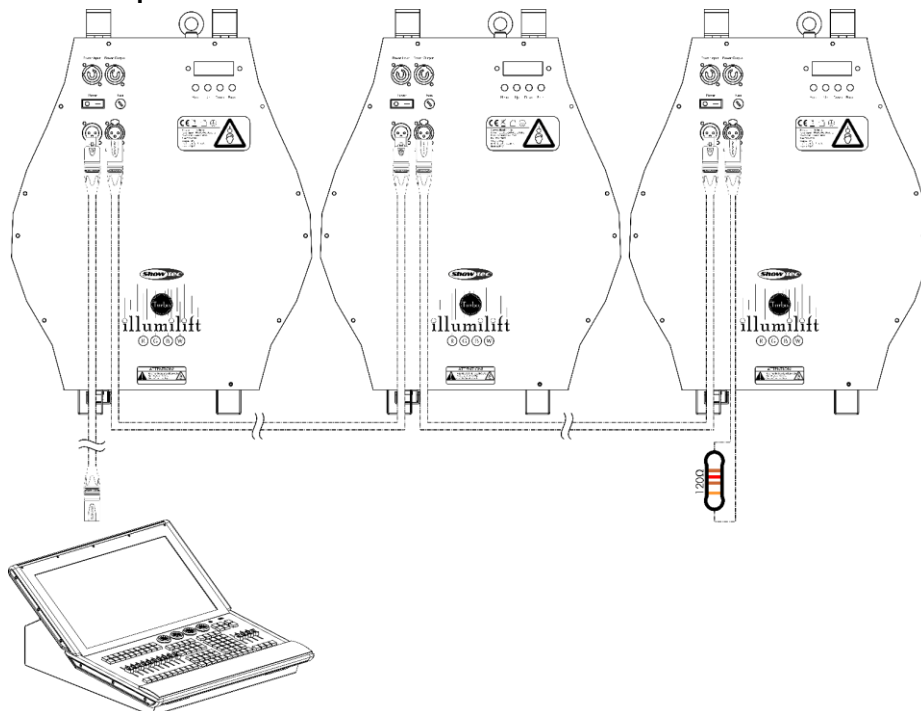



Fig. 04

Note : Link all cables before connecting electric power

Fixture Linking

You will need a serial data link to run light shows of one or more fixtures using a DMX-512 controller or to run synchronized shows of two or more fixtures set to a master/slave operating mode. The combined number of channels required by all the fixtures on a serial data link determines the number of fixtures the data link can support.

Important: Fixtures on a serial data link must be daisy-chained in a single line. To comply with the EIA-485 standard, no more than 30 devices should be connected on one data link. Connecting more than 30 fixtures on one serial data link without the use of a DMX optically isolated splitter may result in deterioration of the digital DMX signal.

 Maximum recommended DMX data link distance: 100 meters
Maximum recommended number of fixtures on a DMX data link: 30 fixtures
Maximum recommended number of fixtures on a power link @ 120V: 14 fixtures
Maximum recommended number of fixtures on a power link @ 230V: 29 fixtures


Data Cabling

To link fixtures together, you must obtain data cables. You can purchase DAP Audio certified DMX cables directly from a dealer/distributor or construct your own cable. If you choose to create your own cable, please use data-grade cables that can carry a high quality signal and are less prone to electromagnetic interference.


DAP Audio DMX Data Cables

- DAP Audio Basic microphone cable for allround use. bal. XLR/M 3-pin > XLR/F 3-pin. **Order code** FL01150 (1,5 m), FL013 (3 m), FL016 (6 m), FL0110 (10 m), FL0115 (15 m), FL0120 (20 m).
- DAP Audio X-type data cable XLR/M 3-pin > XLR/F 3-pin. **Order code** FLX0175 (0,75 m), FLX01150 (1,5 m), FLX013 (3 m), FLX016 (6 m), FLX0110 (10 m).
- DAP Audio cable for the demanding user with exceptional audio-qualities and connector made by Neutrik®. **Order code** FL71150 (1,5 m), FL713 (3 m), FL716 (6 m), FL7110 (10 m).
- DAP Audio cable for the demanding user with exceptional audio-qualities and connector made by Neutrik®. **Order code** FL7275 (0,75 m), FL72150 (1,5 m), FL723 (3 m), FL726 (6 m), FL7210 (10 m).
- DAP Audio 110 Ohm cable with digital signal transmission. **Order code** FL0975 (0,75 m), FL09150 (1,5 m), FL093 (3 m), FL096 (6 m), FL0910 (10 m), FL0915 (15 m), FL0920 (20 m).
- DAP Audio data cable FL08 DMX/AES-EBU, XLR/M 5-pin > XLR/F 5-pin. **Order code** FL08150 (1,5 m), FL083 (3 m), FL086 (6 m), FL0810 (10 m), FL0820 (20 m).
- DAP Audio DMX adapter: 5-pin/3-pin. **Order code** FLA29.
- DAP Audio DMX adapter: 3-pin/5-pin. **Order code** FLA30.
- DAP Audio DMX Terminator 3-pin. **Order code** FLA42.
- DAP Audio DMX Terminator 5-pin. **Order code** FLA43.

The Illumilift RGBW Turbo can be operated with a controller in **control mode** or without the controller in **stand-alone mode**.


 **Power the device up ONLY when the LED sphere IS INSTALLED.**
Power the device up ONLY when the controller is in VERTICAL position.



 **The built-in winch system resets itself upon each start-up. If the controller is not in vertical position and/or the LED sphere is not installed, it may result in twisting of the cable that may cause damage to the built-in winch system and the warranty will become void.**

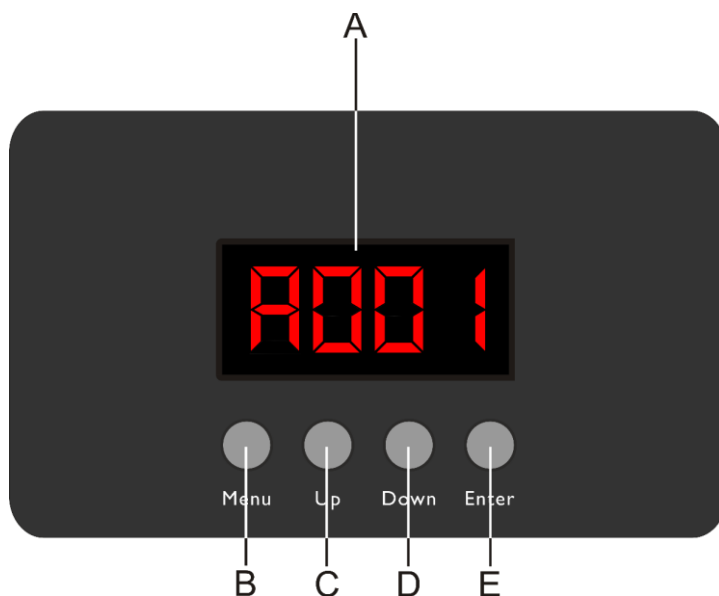


Before powering the Illumilift up, always make sure that:

- the controller is positioned **VERTICALLY**.
- the LED sphere is installed and secured by means of the safety eye.
-  • the cable tie, keeping the hoisting cable in position, is removed.
- the hoisting cable is not loose.
- the maximum cable load (2 kg) is not exceeded.
- the movement of the Illumilift is not interrupted in any way.



Control Panel



- A) LED display
- B) MENU button
- C) UP button
- D) DOWN button
- E) ENTER button

Fig. 05

Control Mode

The fixtures are individually addressed on a data-link and connected to the controller. The fixtures respond to the DMX signal from the controller. (When you select the DMX address and save it, the controller will display the saved DMX address, next time.)

DMX Addressing

The control panel on the front side of the base allows you to assign DMX fixture addresses, which is the first channel with which the Illumilift will respond to the controller.

Please note, when you use the controller, the unit has **10** channels.

When using multiple Illumilifts, make sure you set the DMX addresses right.

Therefore, the DMX address of the first Illumilift should be **1(001)**; the DMX address of the second Illumilift should be **1+10=11 (011)**; the DMX address of the third Illumilift should be **11+10=21 (021)**, etc.

Please, be sure that you do not have any overlapping channels in order to control each Illumilift correctly. If two or more Illumilifts are addressed similarly, they will work similarly.

Controlling:

After having addressed all Illumilift fixtures, you may now start operating these via your lighting controller.

Note: After switching on, the Illumilift will automatically detect whether DMX 512 data is received or not. If there is no data received at the DMX input, the "LED" on the control panel will not flash.

If not, the problem may be:

- The XLR cable from the controller is not connected with the input of the Illumilift RGBW Turbo.
- The controller is switched off or defective, the cable or connector is defective, or the signal wires are swapped in the input connector.

Note: It is necessary to insert an XLR termination plug (with 120 Ohm) in the last fixture in order to ensure proper transmission on the DMX data link.

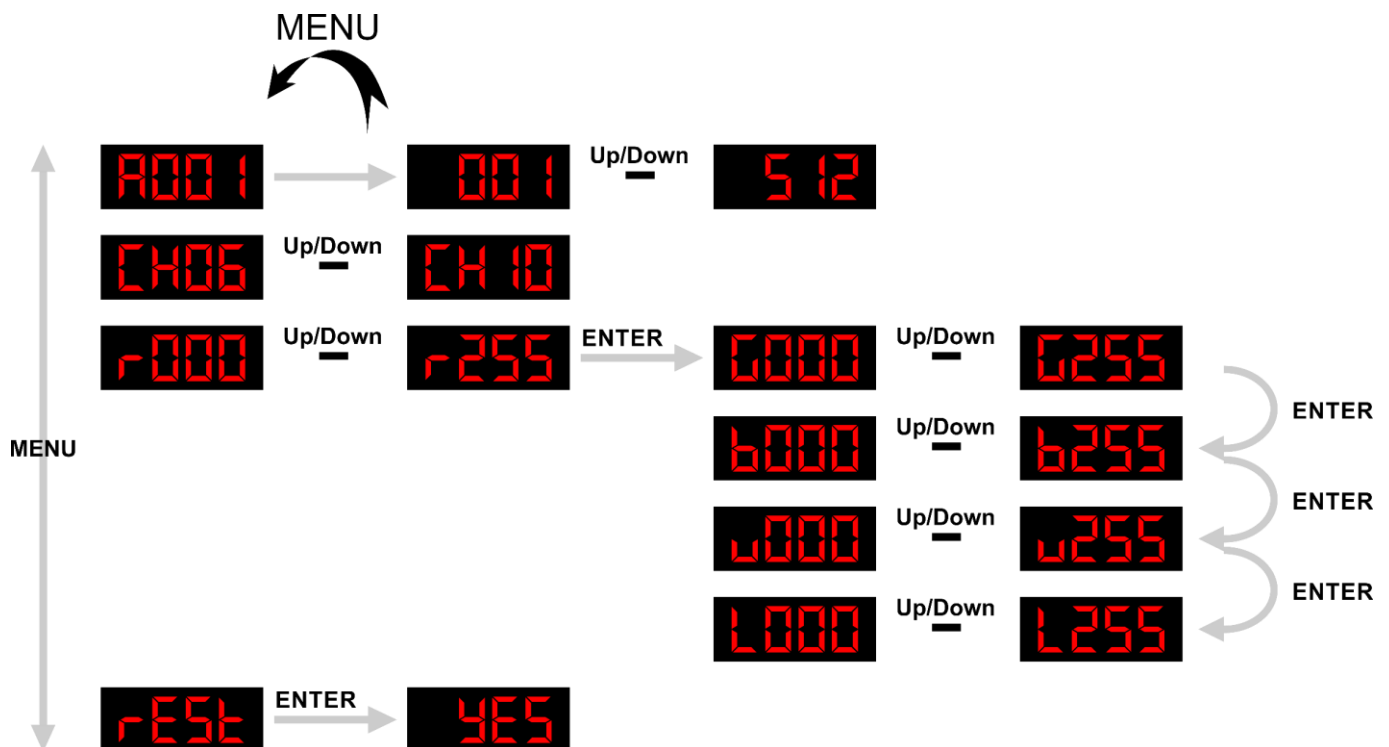
⚠ Display Off after 10 seconds ⚠

When no button is pressed for 10 seconds, the display will turn off.

To light up the display, you have to press the MENU, UP, DOWN or ENTER button.

Once you have pressed the button, the display will light up.

Menu Overview



Main Menu Options

ADD 1	DMX Addressing
CH06 ^{Up/Down} CH 10	Channel mode
r000	Manual mode
rEST	Reset

1. DMX Addressing

In this menu you can set the DMX address.

- 1) In main menu, press the **MENU** button until the display shows **ADD 1**.
- 2) Press the **UP/DOWN** buttons to select the required address.
The adjustment range is between 001–512.
- 3) Once you have set the desired DMX address, press the **ENTER** button to confirm.

2. Channel Mode

In this menu you can set the desired channel mode.

- 1) In main menu, press the **MENU** button until the display shows **CH06** or **CH 10**.
- 2) Press the **UP/DOWN** buttons to choose one of the 2 channel modes:

CH06	6-channel mode
CH 10	10-channel mode

- 3) Press the **ENTER** button to confirm.

3. Manual

In this menu you can manually set the desired colors.

- 1) In main menu, press the **MENU** button until the display shows **r000**.
- 2) Press the **ENTER** button to toggle through the following options:

r000 ^{Up/Down} r255	Red LED brightness, from dark to brightest
G000 ^{Up/Down} G255	Green LED brightness, from dark to brightest
b000 ^{Up/Down} b255	Blue LED brightness, from dark to brightest
w000 ^{Up/Down} w255	White LED brightness, from dark to brightest
L000 ^{Up/Down} L255	Cable length, 0–6 m

- 3) Press the **UP/DOWN** buttons to set the LED color brightness (RED, GREEN, BLUE, WHITE) or the cable length.
- 4) Press the **ENTER** button to save changes.
- 5) You can combine RED, GREEN, BLUE and WHITE to create an infinite range of colors (0–255).

4. Reset

In this menu you can restore the default factory settings.

- 1) In main menu, press the **MENU** button until the display shows **rEST**.
- 2) Press the **ENTER** button to open the menu. The display will show **YES**.
 - To restore the default factory settings, press the **ENTER** button.
 - To return to the previous screen, press the **MENU** button.

DMX Channels

6 Channels

Channel 1 – Dimmer

0–255 Dimmer intensity, from dark to brightest

Channel 2 – Color Macros ⚠ CH1 must be open ⚠

0–7	Not functional
8–13	Color 1 (R255, G000, B000, W000)
14–20	Color 2 (R255, G050, B000, W000)
21–27	Color 3 (R255, G150, B000, W000)
28–34	Color 4 (R255, G255, B000, W000)
35–41	Color 5 (R000, G255, B000, W000)
42–48	Color 6 (R000, G255, B050, W000)
49–55	Color 7 (R000, G255, B150, W000)
56–62	Color 8 (R000, G255, B255, W000)
63–69	Color 9 (R000, G000, B255, W100)
70–76	Color 10 (R000, G000, B255, W050)
77–83	Color 11 (R000, G000, B255, W000)
84–90	Color 12 (R075, G000, B255, W000)
91–97	Color 13 (R255, G000, B255, W000)
98–104	Color 14 (R255, G000, B175, W000)
105–111	Color 15 (R255, G000, B100, W000)
112–118	Color 16 (R255, G000, B025, W000)
119–125	Color 17 (R000, G000, B000, W255)
126–132	Color 18 (R255, G255, B255, W255)
133–139	Color switch 1
140–146	Color switch 2
147–153	Color switch 3
154–160	Color switch 4
161–167	Color switch 5
168–174	Color switch 6
175–181	Color switch 7
182–188	Color switch 8
189–195	Color flow 1
196–202	Color flow 2
203–209	Color flow 3
210–216	Color flow 4
217–223	Color flow 5
224–230	Color flow 6
231–255	Color flow 7

Channel 3 – Macro Speed ⚠ CH2 must be set between 133–255 ⚠

0–255 Gradual adjustment macro speed, from slow to fast

Channel 4 – Lifting ⚠ CH6 must be set between 128–144 ⚠

0–255 Gradual adjustment lifting, from 0 to 6 meters

Channel 5 – Lifting Speed

0–255 Gradual adjustment lifting speed, from fast to slow

Channel 6 – Safety

0–127	Lifting OFF
128–144	Lifting ON
145–230	Lifting OFF
231–255	Winch system reset

10 Channels**Channel 1 – Dimmer**

0–255 Dimmer intensity, from dark to brightest

Channel 2 – Red  CH1 must be open 

0–255 Gradual adjustment Red, from dark to brightest

Channel 3 – Green  CH1 must be open 

0–255 Gradual adjustment Green, from dark to brightest

Channel 4 – Blue  CH1 must be open 

0–255 Gradual adjustment Blue, from dark to brightest

Channel 5 – White  CH1 must be open 

0–255 Gradual adjustment White, from dark to brightest



Channel 6 – Strobe  CH1 must be open; CH2-5 must be open 

0–10 Not functional

11–255 Strobe flash frequency, from OFF to highest frequency

Channel 7 – Lifting  CH10 must be set between 128–144 

0–255 Gradual adjustment lifting, from 0 to 4 meters

Channel 8 – Lifting Fine  CH10 must be set between 128–144 

0–255 Fine adjustment lifting, from 0 to 4 meters

Channel 9 – Lifting Speed

0–255 Gradual adjustment lifting speed, from fast to slow

Channel 10 – Safety

0–127 Lifting OFF

128–144 Lifting ON

145–230 Lifting OFF

231–255 Winch system reset

Maintenance

The operator has to make sure that safety-related and machine-technical installations are to be inspected by an expert after every year in the course of an acceptance test.

The operator has to make sure that safety-related and machine-technical installations are to be inspected by a skilled person once a year.

The following points have to be considered during the inspection:

- 01) All screws used for installing the device or parts of the device have to be tightly connected and must not be corroded.
- 02) There may not be any deformations on housings, fixations and installation spots.
- 03) Mechanically moving parts like axles, eyes and others may not show any traces of wearing.
- 04) The electric power supply cables must not show any damages or material fatigue.

The Illumilift RGBW Turbo requires almost no maintenance. However, you should keep the unit clean. Otherwise, the fixture's light output will be significantly reduced. Disconnect the mains power supply, and then wipe the cover with a damp cloth. Do not immerse in liquid. Do not use alcohol or solvents. The cooling fans should be cleaned monthly, with a soft brush.

Please clean internal components once a year with a light brush and vacuum cleaner.

Keep connections clean. Disconnect electric power, and then wipe the DMX connections with a damp cloth. Make sure connections are thoroughly dry before linking equipment or supplying electric power.

Replacing the Fuse

Power surges, short-circuit or inappropriate electrical power supply may cause a fuse to burn out. If the fuse burns out, the product will not function whatsoever. If this happens, follow the directions below.

- 01) Unplug the unit from electric power source.
- 02) Insert a flat-headed screwdriver into a slot in the fuse cover. Turn the screwdriver to the left, at the same time gently push a bit (Turn and Push). The fuse will come out.
- 03) Remove the used fuse. If brown or unclear, it is burned out.
- 04) Insert the replacement fuse into the holder where the old fuse was. Reinsert the fuse holder. Be sure to use a fuse of the same type and specification. See the product specification label for details.

Troubleshooting

This troubleshooting guide is meant to help solve simple problems.

If a problem occurs, carry out the steps below in sequence until a solution is found. Once the unit operates properly, do not carry out following steps.

No Light

If the light effect does not operate properly, refer servicing to a technician.

Suspect three potential problem areas as: the power supply, the LEDs, the fuse.

- 01) Power supply. Check if the unit is plugged into an appropriate power supply.
- 02) The LEDs. Return the Illumilift to your Showtec dealer.
- 03) The fuse. Replace the fuse. See page 17 for replacing the fuse.
- 04) If all of the above appears to be O.K., plug the unit in again.
- 05) If you are unable to determine the cause of the problem, do not open the Illumilift, as this may damage the unit and the warranty will become void.
- 06) Return the device to your Showtec dealer.

No Response to DMX

Suspect the DMX cable or connectors, a controller malfunction, a light effect DMX card malfunction.

- 01) Check the DMX setting. Make sure that DMX addresses are correct.
- 02) Check the DMX cable: Unplug the unit; change the DMX cable; then reconnect to electrical power. Try your DMX control again.
- 03) Determine whether the controller or light effect is at fault. Does the controller operate properly with other DMX products? If not, take the controller in for repair. If so, take the DMX cable and the light effect to a qualified technician.

Problem	Probable cause(s)	Remedy
One or more fixtures do not function at all.	No power to the fixture.	<ul style="list-style-type: none"> ● Check if power is switched on and cables are plugged in.
	Primary fuse blown.	<ul style="list-style-type: none"> ● Replace fuse.
Fixtures reset correctly, but all respond erratically or not at all to the controller.	The controller is not connected.	<ul style="list-style-type: none"> ● Connect controller.
	3-pin XLR Out of the controller does not match XLR In of the first fixture on the link (i.e. signal is reversed).	<ul style="list-style-type: none"> ● Install a phase reversing cable between the controller and the first fixture on the link.
Fixtures reset correctly, but some respond erratically or not at all to the controller.	Poor data quality.	<ul style="list-style-type: none"> ● Check data quality. If much lower than 100 percent, the problem may be a bad data link connection, poor quality or broken cables, missing termination plug, or a defective fixture disturbing the link.
	Bad data link connection.	<ul style="list-style-type: none"> ● Inspect connections and cables. Correct poor connections. Repair or replace damaged cables.
	Data link not terminated with 120 Ohm termination plug.	<ul style="list-style-type: none"> ● Insert termination plug in output jack of the last fixture on the link.
	Incorrect addressing of the fixtures.	<ul style="list-style-type: none"> ● Check address setting.
	One of the fixtures is defective and disturbs data transmission on the link.	<ul style="list-style-type: none"> ● Bypass one fixture at a time until normal operation is regained: unplug both connectors and connect them directly together. ● Have the defective fixture serviced by a qualified technician.
	3-pin XLR Out on the fixtures does not match (pins 2 and 3 reversed).	<ul style="list-style-type: none"> ● Install a phase-reversing cable between the fixtures or swap pin 2 and 3 in the fixture, that behaves erratically.
No light or LEDs cut out intermittently.	Fixture is too hot.	<ul style="list-style-type: none"> ● Allow fixture to cool. ● Clean the fan. ● Make sure air vents are not blocked. ● Turn up the air conditioning.
	LEDs damaged.	<ul style="list-style-type: none"> ● Disconnect fixture and return to your dealer.
	The power supply settings do not match local AC voltage and frequency.	<ul style="list-style-type: none"> ● Disconnect fixture. Check settings and correct if necessary.

Product Specifications

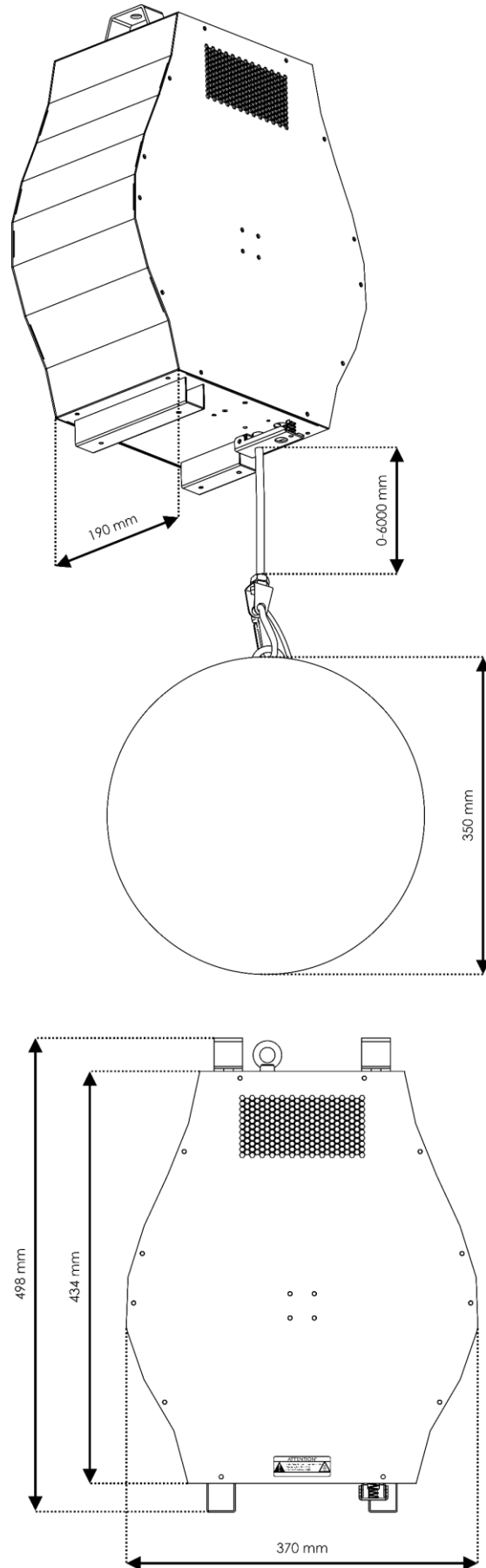
Model:	Showtec Illumilift RGBW Turbo	
Input voltage:	100–240 V AC, 50/60 Hz	
Power consumption:	80 W	
DMX linking:	30 pcs	
Fuse:	F3AL/250V	
Dimensions:	370 x 190 x 498 mm (LxWxH)	
Weight (controller):	12,24 kg	
Weight (LED sphere):	1,56 kg	
Operating and Programming:		
Signal pin OUT:	Pin 1 (earth), pin 2 (-), pin 3 (+)	
DMX mode:	6, 10 channels	
Signal input:	3-pin XLR IN	
Signal output:	3-pin XLR OUT	
Electro-mechanical effects:		
Dimmer:	0–100 %	
Strobe:	0–20 Hz	
Maximum cable load:	2 kg	
Lifting height:	6 m	
Lifting speed:	0–2,5 m/s	
Lifting cable:	5 x 0,5 mm ²	
Power on cable:	4 channels max. 18 V DC, max. 0,3A per channel	
Refresh rate:	19,6 kHz	
Housing:	Metal & flame-retardant plastic	
DMX control:	via standard DMX controller	
Onboard:	LED display for easy setup	
Control:	Manual, DMX-512	
Connections:	3-pin XLR IN/OUT, pro power connector IN/OUT	
Color:	Black	
IP rating:	IP20	
Cooling:	Cooling fan	
Max. ambient temperature t_a :	40 °C	
Max. housing temperature t_b :	70 °C	
Minimum distance:		
Minimum distance from flammable surfaces:	0,5 m	
Minimum distance to lighted object:	0,5 m	

Design and product specifications are subject to change without prior notice.



Website: www.Showtec.info
 Email: service@highlite.com

Dimensions





©2019 Showtec