

**ENGLISH**

**Aircone Q6 WDMX**

**V1**

**Ordercode: 40314**

**Table of contents**

<b>Warning</b> .....	2
Safety Instructions .....	2
Operating Determinations .....	4
Rigging .....	4
Connection with the mains.....	5
Return Procedure .....	6
Claims.....	6
 <b>Description of the device</b> .....	7
Features .....	7
Overview .....	7
 <b>Installation</b> .....	8
<b>Set Up and Operation</b> .....	8
Cone Installation .....	8
Wireless DMX Control .....	9
Transmitter/Receiver Mode Selection .....	9
Transmitter Mode .....	9
Receiver Mode.....	9
Control Modes.....	10
One Aircone (Auto, Built-in programs and Manual).....	10
One Aircone (Sound-controlled) .....	10
Multiple Aircones (Master/Slave control) .....	10
Multiple Aircones (DMX Control) .....	11
Fixture Linking.....	12
Data Cabling.....	12
Control Panel.....	13
Control Mode .....	13
DMX Addressing .....	13
Menu Overview.....	14
Main Menu Options.....	15
1. Auto.....	15
2. Built-in programs .....	15
3. Manual (Static Colors) .....	16
4. Sound-controlled .....	16
5. DMX-512 .....	16
6. Master/Slave.....	16
7. Settings.....	16
7.1. Dimming Curves.....	17
7.2. Fan Speed.....	17
7.3. DMX Failure .....	17
7.4. Reset Settings .....	17
DMX Channels .....	18
3 channels (3.b) .....	18
6 channels (6.A) .....	18
6 channels (6.C).....	20
12 channels (12.F) .....	20
 <b>Maintenance</b> .....	22
Replacing the Fuse.....	22
<b>Troubleshooting</b> .....	23
No Light.....	23
No Response to DMX.....	23
<b>Product Specifications</b> .....	25
<b>Dimensions</b> .....	26

## Warning



**For your own safety, please read this user manual carefully  
before your initial start-up!**

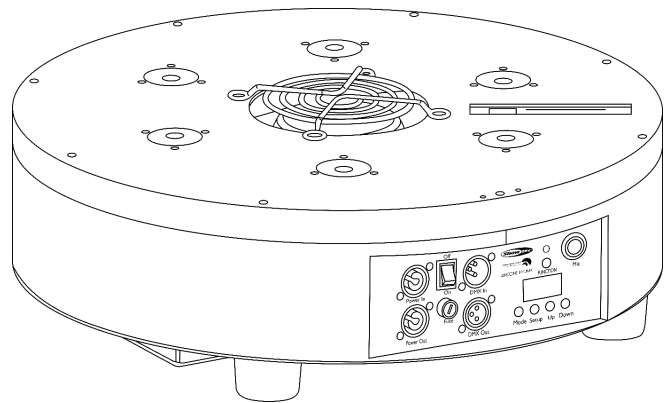


## Unpacking Instructions

Immediately upon receiving this product, carefully unpack the carton and check the contents to ensure that all parts are present, and have been received in good condition. Notify the dealer immediately and retain packing material for inspection if any parts appear damaged from shipping or the carton itself shows signs of mishandling. Save the carton and all packing materials. In the event that a fixture must be returned to the factory, it is important that the fixture be returned in the original factory box and packing.

### Your shipment includes:

- Showtec Aircone Q6 WDMX
- 1 x cone with Velcro
- PowerCON power cable (1,5 m)
- 2 x quick-lock brackets for truss mounting
- User manual



## LED Expected Lifespan

LEDs gradually decline in brightness over time. HEAT is the dominant factor that leads to the acceleration of this decline. Packaged in clusters, LEDs exhibit higher operating temperatures than in ideal or singular optimum conditions. For this reason, when all color LEDs are used at their fullest intensity, life of the LEDs is significantly reduced. If improving the lifespan is of higher priority, place care in providing for lower operational temperatures. This may include climatic-environmental and the reduction of overall projection intensity.



### CAUTION!

**Keep this device away from rain and moisture!  
Unplug mains lead before opening the housing!**



## Safety Instructions

Every person involved with the installation, operation and maintenance of this device has to:

- be qualified
- follow the instructions of this manual



**CAUTION! Be careful with your operations.  
With a dangerous voltage you can suffer  
a dangerous electric shock when touching the wires!**



Before the initial start-up, please make sure that there is no damage caused by transportation. Should there be any, consult your dealer and do not use the device.

To maintain perfect condition and to ensure a safe operation, it is absolutely necessary for the user to follow the safety instructions and warning notes contained in this manual.

Please consider that damages caused by manual modifications to the device are not subject to warranty.

This device contains no user-serviceable parts. Refer servicing to qualified technicians only.

### **IMPORTANT:**

The manufacturer will not accept liability for any resulting damages caused by the non-observance of this manual or any unauthorized modification to the device.

- Never let the power cord come into contact with other cables! Handle the power cord and all connections with the mains with particular caution!
- Never remove warning or informative labels from the unit.
- Never use anything to cover the ground contact.
- Never lift the fixture holding it by the projector-head, as the mechanics may be damaged. Always hold the fixture by the transport handles.
- Never place any material over the lens.
- Never look directly into the light source.
- Never leave any cables lying around.
- Do not insert objects into air vents.
- Do not connect this device to a dimmer pack.
- Do not switch the device on and off in short intervals, as this will reduce the device's life.
- Do not shake the device. Avoid brute force when installing or operating the device.
- Only use the device indoors, avoid contact with water or other liquids.
- Only operate the fixture after having checked if the housing is firmly closed and all screws are tightly fastened.
- Only operate the device after having familiarized with its functions.
- Avoid flames and do not put close to flammable liquids or gases.
- Always keep the case closed while operating.
- Always allow a free air space of at least 50 cm around the unit for ventilation.
- Always disconnect power from the mains, when device is not used or before cleaning! Only handle the power cord holding it by the plug. Never pull out the plug by tugging the power cord.
- Make sure that the device is not exposed to extreme heat, moisture or dust.
- Make sure that the available voltage is not higher than stated on the rear panel.
- Make sure that the power cord is never crimped or damaged. Check the device and the power cord from time to time.
- If device was dropped or struck, disconnect mains power supply immediately. Have a qualified engineer inspect for safety before operating.
- If the device has been exposed to drastic temperature fluctuation (e.g. after transportation), do not switch it on immediately. The arising condensation water might damage your device. Leave the device switched off until it has reached room temperature.
- If your Showtec device fails to work properly, discontinue the use immediately. Pack the unit securely (preferably in the original packing material), and return it to your Showtec dealer for service.
- For adult use only. The device must be installed beyond the reach of children. Never leave the unit running unattended.
- Never attempt to bypass the thermostatic switch or fuses.
- For replacement use fuses of same type and rating only.
- The user is responsible for correct positioning and operating of the Aircone. The manufacturer will not accept liability for damages caused by the misuse or incorrect installation of this device.
- This device falls under protection class I. Therefore it is essential to connect the yellow/green conductor to earth.
- Repairs, servicing and electric connection must be carried out by a qualified technician.
- **WARRANTY:** Till one year after date of purchase.



**CAUTION! Eyedamages!!!**  
**Avoid looking directly into the lightsource!!!**  
**(meant especially for epileptics)!!!**



### **Operating Determinations**

- This device is not designed for permanent operation. Consistent operation breaks will ensure that the device will serve you for a long time without defects.
- The minimum distance between light output and the illuminated surface must be bigger than 1 meter.
- To eliminate wear and improve lifespan, during periods of non-use, completely disconnect from power via breaker or by unplugging.
- The maximum ambient temperature  $t_a = 40^\circ\text{C}$  must never be exceeded.
- The relative humidity must not exceed 50 % with an ambient temperature of  $40^\circ\text{C}$ .
- If this device is operated in any other way than the one described in this manual, the product may suffer damages and the warranty becomes void.
- Any other operation may lead to dangers like short-circuit, burns, electric shock, crash, etc.

*You endanger your own safety and the safety of others!*

### **Rigging**

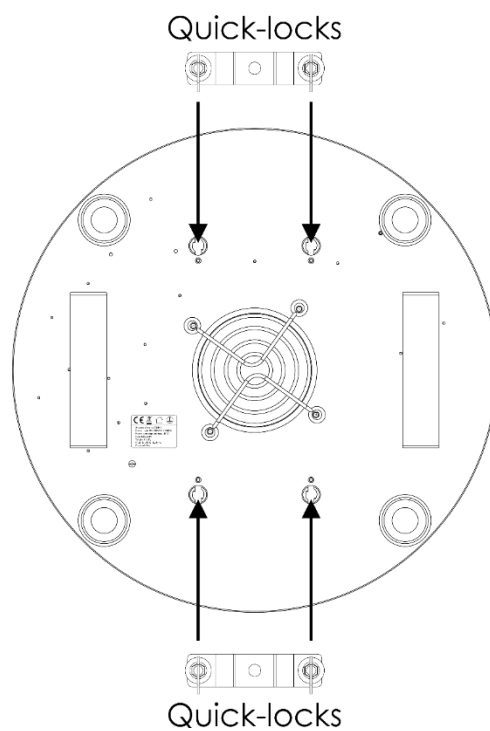
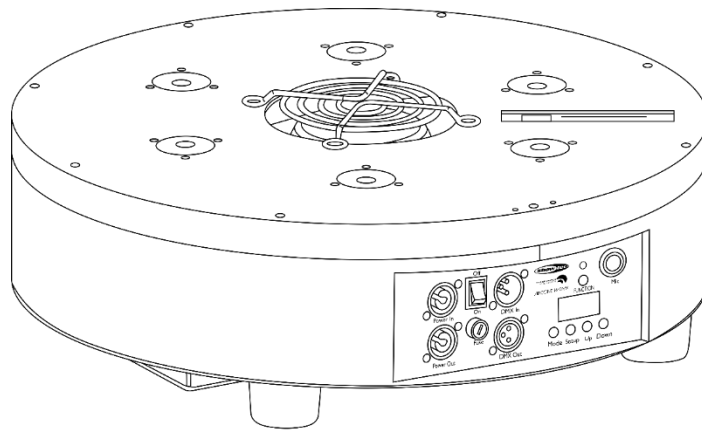
*Please follow the European and national guidelines concerning rigging, trussing and all other safety issues.*

*Do not attempt the installation yourself !*

*Always let the installation be carried out by an authorized dealer !*

### **Procedure:**

- If the Aircone is lowered from the ceiling or high joists, professional trussing systems have to be used.
- Use a clamp to mount the Aircone, with the mounting bracket, to the trussing system.
- The Aircone must never be fixed swinging freely in the room.
- The installation must always be secured with a safety attachment, e.g. an appropriate safety net or safety cable.
- When rigging, derigging or servicing the Aircone, always make sure, that the area below the installation site is secured and that there are not any unauthorized people around.



The Aircone can be placed on a flat stage floor or mounted to any kind of truss with a clamp.

*Improper installation can cause serious injuries and/or damage of property!*

**Connection with the mains**

Connect the device to the mains with the power-plug.  
Always check if the right color cable is connected to the right place.

International	EU Cable	UK Cable	US Cable	Pin
L	BROWN	RED	YELLOW/COPPER	PHASE
N	BLUE	BLACK	SILVER	NEUTRAL
⊕	YELLOW/GREEN	GREEN	GREEN	PROTECTIVE GROUND

*Make sure that the device is always properly connected to the earth!*

*Improper installation can cause serious injuries and/or damage of property!*



## **Return Procedure**

Returned merchandise must be sent prepaid and in the original packing, call tags will not be issued. Package must be clearly labeled with a Return Authorization Number (RMA number). Products returned without an RMA number will be refused. Highlite will not accept the returned goods or any responsibility. Call Highlite 0031-455667723 or mail [offersales@highlite.nl](mailto:offersales@highlite.nl) and request an RMA prior to shipping the fixture. Be prepared to provide the model number, serial number and a brief description of the cause for the return. Be sure to properly pack fixture, any shipping damage resulting from inadequate packaging is the customer's responsibility. Highlite reserves the right to use its own discretion to repair or replace product(s). As a suggestion, proper UPS packing or double-boxing is always a safe method to use.

**Note: If you are given an RMA number, please include the following information on a piece of paper inside the box:**

- 01) Your name
- 02) Your address
- 03) Your phone number
- 04) A brief description of the symptoms

## **Claims**

The client has the obligation to check the delivered goods immediately upon delivery for any shortcomings and/or visible defects, or perform this check after our announcement that the goods are at their disposal. Damage incurred in shipping is the responsibility of the shipper; therefore the damage must be reported to the carrier upon receipt of merchandise.

It is the customer's responsibility to report and submit claims with the shipper in the event that a fixture is damaged due to shipping. Transportation damage has to be reported to us within one day after receipt of the delivery.

Any return shipment has to be made post-paid at all times. Return shipments must be accompanied with a letter defining the reason for return shipment. Non-prepaid return shipments will be refused, unless agreed otherwise in writing.

Complaints against us must be prepared in writing or sent by fax within 10 working days after receipt of the invoice. After this period complaints will not be handled anymore.

Complaints will only then be considered if the client has so far complied with all parts of the agreement, regardless of the agreement from which the obligation is resulting.

## Description of the device

### Features

The Aircone Q6 WDMX is equipped with 6x 8W Q6 RGBWA-UV LEDs and can be controlled by means of wireless DMX (WDMX Sweden protocol). It is possible to adjust the fan speed. The Aircone Q6 WDMX is the ultimate decorative light effect, suitable for a wide range of venues, such as: festivals, stages, weddings, corporate events and theme parks.

- Input voltage: 100-240V AC, 50/60Hz
- Power consumption: 160W
- Light source: 6 x 8W RGBWA-UV LEDs
- DMX channels: 3, 6, 6, 12 channels
- 4-digit LED display
- Control modes: Auto, Built-in programs, Static Colors, Sound, Slave, DMX
- Control protocol: DMX-512, WDMX
- Dimmer: 0-100%
- Strobe: 0-20Hz
- Connections: 3-pin XLR data connectors IN/OUT, PowerCON power connector IN/OUT
- IP rating: IP-20
- Housing: Aluminum
- Color: Black
- Cone length: 2500 mm
- Fuse: T2AL/250V
- Dimensions: 470 x 150 mm (WxH)
- Weight: 11 kg

### Optional accessories

[40315](#) – Separate cone for the Aircone Q6 WDMX

[40316](#) – Separate pyramid cone for the Aircone Q6 WDMX

### Overview

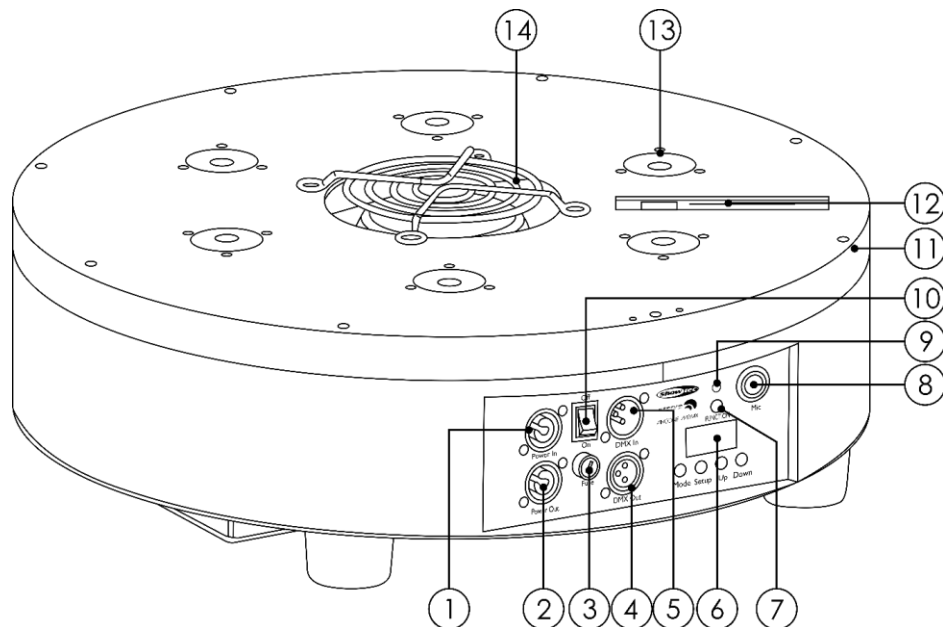


Fig. 01

- |  |                                |
|--|--------------------------------|
| 01) 100-240V PowerCON power connector Blue IN  | 08) Built-in microphone        |
| 02) 100-240V PowerCON power connector Grey OUT | 09) Wireless DMX LED indicator |
| 03) Fuse T2AL/250V                             | 10) Power switch ON/OFF        |
| 04) 3-pin DMX signal connector OUT             | 11) Velcro strip               |
| 05) 3-pin DMX signal connector IN              | 12) Wireless DMX antenna       |
| 06) LED display + control buttons              | 13) 6 x 8W RGBWA-UV LEDs       |
| 07) Function button                            | 14) Air exhaust                |



## **Installation**

Remove all packing materials from the Aircone Q6 WDMX. Check if all foam and plastic padding is removed. Connect all cables.

**Do not supply power before the whole system is set up and connected properly.**

**Always disconnect from electric mains power supply before cleaning or servicing.**

**Damages caused by non-observance are not subject to warranty.**

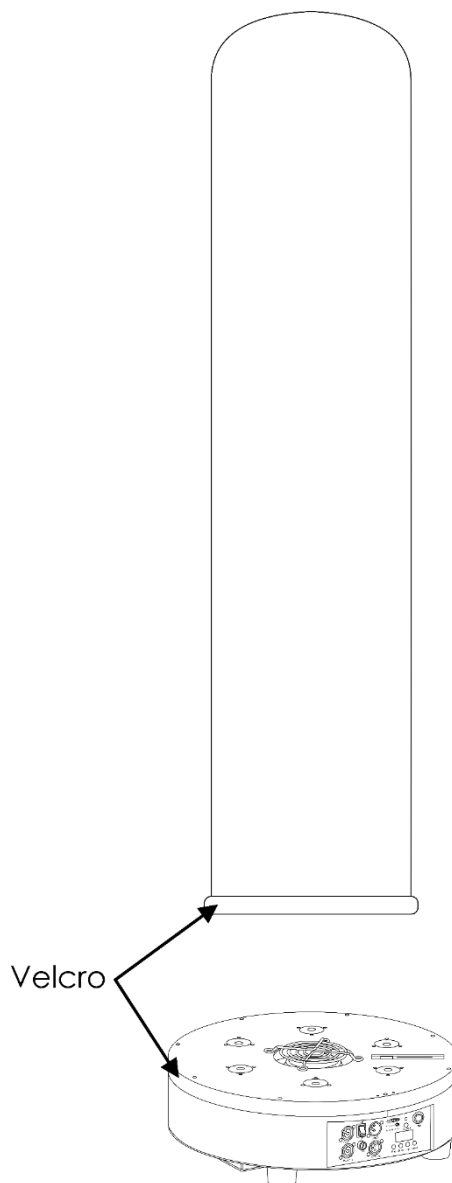
## **Set Up and Operation**

Follow the directions below, as they pertain to your preferred operation mode.

Before plugging the unit in, always make sure that the power supply matches the product specification voltage. Do not attempt to operate a 120V specification product on 230V power, or vice versa.

Connect the device to the main power supply.

### **Cone Installation**



**Fig. 02**

Attach the Velcro strip on the cone to the Velcro strip on the edge of the Aircone.

## Wireless DMX Control

### Transmitter/Receiver Mode Selection

01) Press the Function button **(07)** once. The display will show the currently selected wireless DMX operation mode:

**Ho-0**

Transmitter mode

**SL-0**

Receiver mode

- 02) Press and hold down the Function button **(07)** for 5 seconds in order to switch between the 2 operation modes (Transmitter mode and Receiver mode).
- 03) The display will count up from 0 to 5, to indicate how long the Function button **(07)** remains pressed.
- 04) When the display shows "5," release the Function button **(07)**. The operation mode has been changed.
- 05) Press the Function button **(07)** once, to see the currently selected operation mode.
- 06) Repeat steps 2-5 to switch to the other operation mode.

### Transmitter Mode

In this mode, the Aircone sends DMX signals to the paired receivers.

- 01) Press and hold down the Function button **(07)**, until the display shows **Ho-1**. The Aircone will now attempt to connect to the available wireless DMX receivers. The LED indicator **(09)** will be blinking fast. Once the connection has been established, the LED indicator **(09)** remains on.
- 02) Press one of the control buttons **(06)** to enter main menu and choose the desired operation mode. **This step is necessary for the Aircone to send a DMX signal to wireless DMX receivers.** When a DMX signal is being sent, the LED indicator **(09)** will be blinking slowly.
- 03) Press and hold down the Function button **(07)**, until the display shows **Ho-3**. The Aircone will now terminate the connection with all paired wireless DMX receivers.

### Receiver Mode

In this mode, the Aircone receives DMX signals sent by a transmitter.

- 01) When the Aircone does not receive any signal, the LED indicator **(09)** is off.
- 02) Try to pair your transmitter with the Aircone. The LED indicator **(09)** will be blinking fast. Once the connection has been established, the LED indicator **(09)** will be blinking slowly.
- 03) When the Aircone receives a signal from the transmitter, the LED indicator **(09)** is on.
- 04) Press and hold down the Function button **(07)**, until the display shows **SL-3**. The Aircone will now terminate the connection with the transmitter.

## Control Modes

There are 6 modes:

- Stand-alone (Auto)
- Built-in programs
- Manual
- Sound-controlled
- Master/Slave
- DMX-512 (3CH, 6CH, 6CH, 12CH)

### One Aircone (Auto, Built-in programs and Manual)

- 01) Fasten the effect light to a firm trussing. Leave at least 0,5 meter on all sides for air circulation.
- 02) Plug the end of the electric mains power cord into a proper electric power supply socket.
- 03) When the Aircone is not connected with a DMX cable, it functions as a stand-alone device.  
Please see pages 15-16 for more information about Auto, Built-in programs and Manual mode.

### One Aircone (Sound-controlled)

- 01) Fasten the effect light to a firm trussing. Leave at least 0,5 meter on all sides for air circulation.
- 02) Plug the end of the electric mains power cord into a proper electric power supply socket.
- 03) Turn on the music. If the device is set to sound-control, then the Aircone will react to the beat of the music. Please see page 16 for more information about the sound-control options.

### Multiple Aircones (Master/Slave control)

- 01) Fasten the effect light onto firm trussing. Leave at least 0,5 meter on all sides for air circulation.
- 02) Use a 3-pin XLR cable to connect the Aircone.

The pins:



- 01) Earth
- 02) Signal -
- 03) Signal +

- 03) Link the units as shown in fig. 03. Connect the first unit's DMX "out" socket with the second unit's "in" socket, using a DMX signal cable. Repeat this process to link the second, third, and fourth units. You can use the same functions on the master device as described on pages 15-16 (Auto, Built-in programs, Manual or Sound-controlled mode). This means that you can set your desired operation mode on the master device and all slave devices will react the same as the master device.

### Multiple Aircones (Master/Slave control)

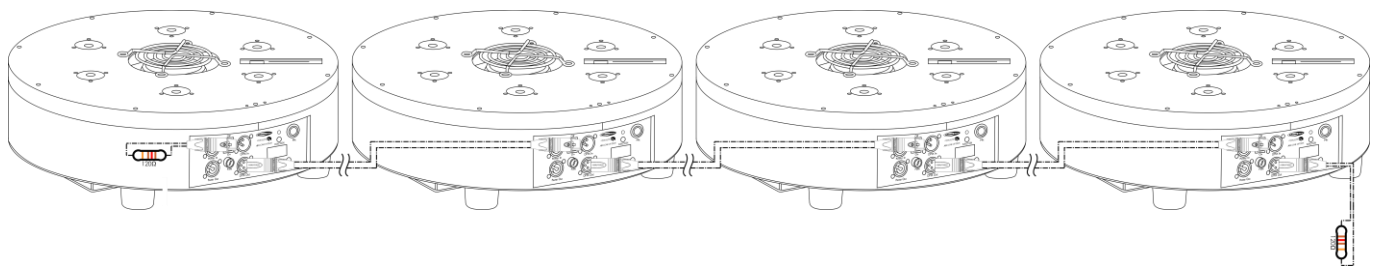
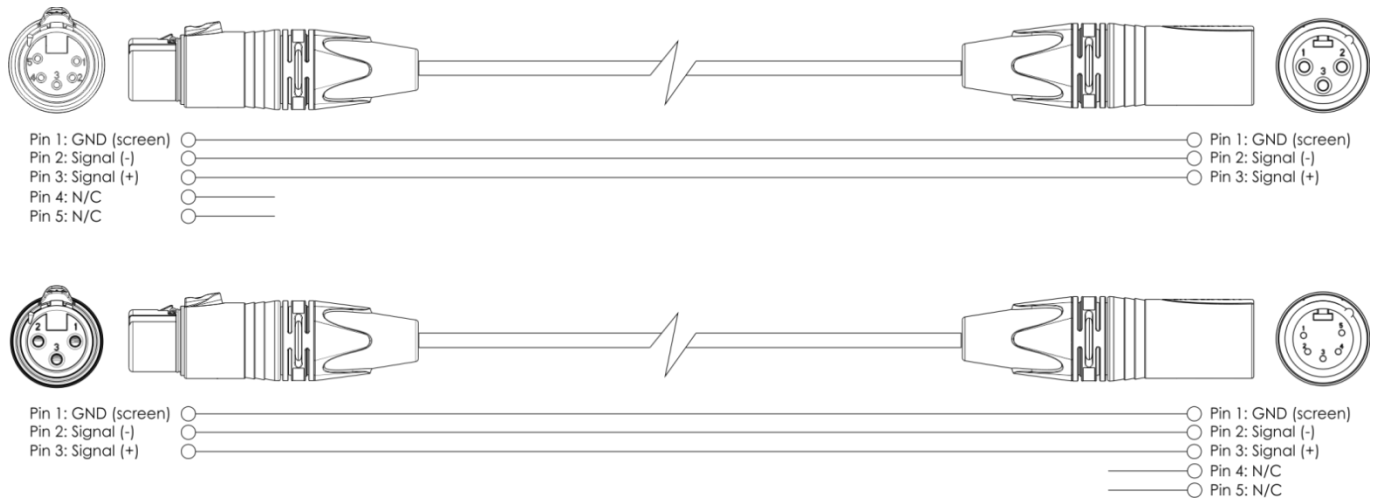


Fig. 03

## Multiple Aircones (DMX Control)

- 01) Fasten the effect light to a firm trussing. Leave at least 0,5 meter on all sides for air circulation.
- 02) Always use a safety cable (ordercode 70140 / 70141).
- 03) Use a 3-pin XLR cable to connect the Aircones and other devices.



- 04) Link the units as shown in fig. 04. Connect the first unit's DMX "out" socket with the second unit's "in" socket, using a DMX signal cable. Repeat this process to link the second, third, and fourth units.
- 05) Supply electric power: Plug electric mains power cords into each unit's PowerCON socket, then plug the other end of the mains power cord into proper electric power supply sockets, starting with the first unit. Do not supply power before the whole system is set up and connected properly.

## Multiple Aircones DMX Set Up

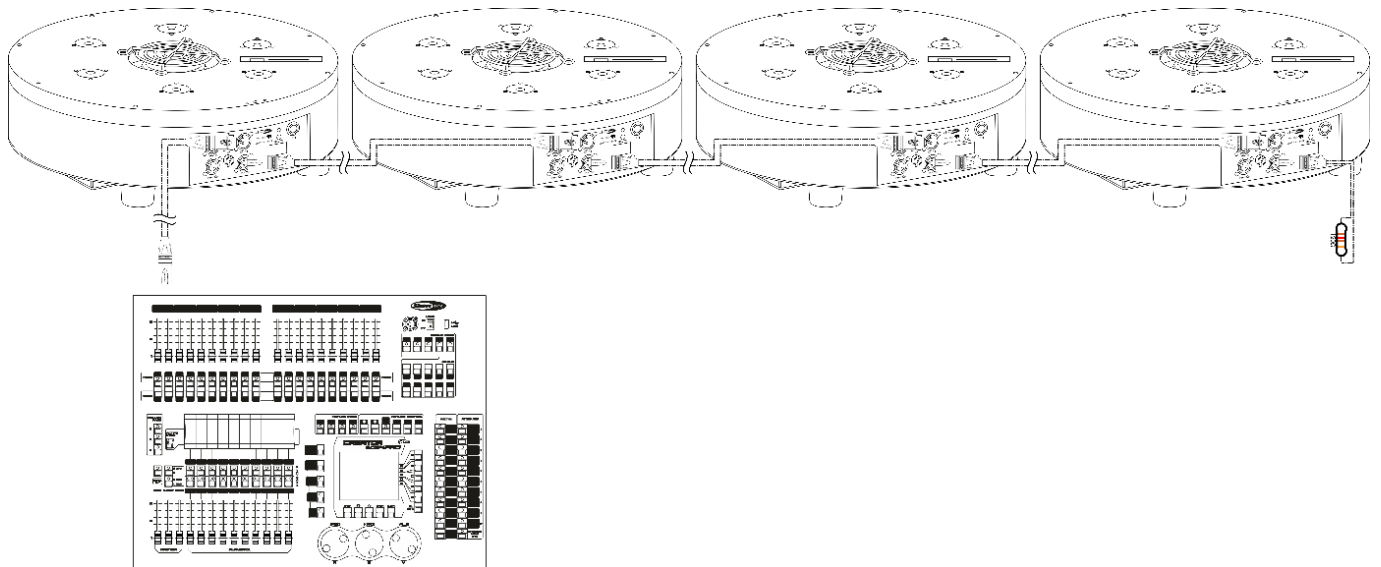



Fig. 04

**Note : Link all cables before connecting electric power**

## Fixture Linking

You will need a serial data link to run light shows of one or more fixtures using a DMX-512 controller or to run synchronized shows of two or more fixtures set to a master/slave operating mode. The combined number of channels required by all the fixtures on a serial data link determines the number of fixtures the data link can support.

**Important:** Fixtures on a serial data link must be daisy-chained in a single line. To comply with the EIA-485 standard, no more than 30 devices should be connected on one data link. Connecting more than 30 fixtures on one serial data link without the use of a DMX optically isolated splitter may result in deterioration of the digital DMX signal.

 Maximum recommended DMX data link distance: 100 meters  
Maximum recommended number of fixtures on a DMX data link: 30 fixtures  
Maximum recommended number of devices on a power link @120V: 3 fixtures  
Maximum recommended number of devices on a power link @230V: 7 fixtures

## Data Cabling

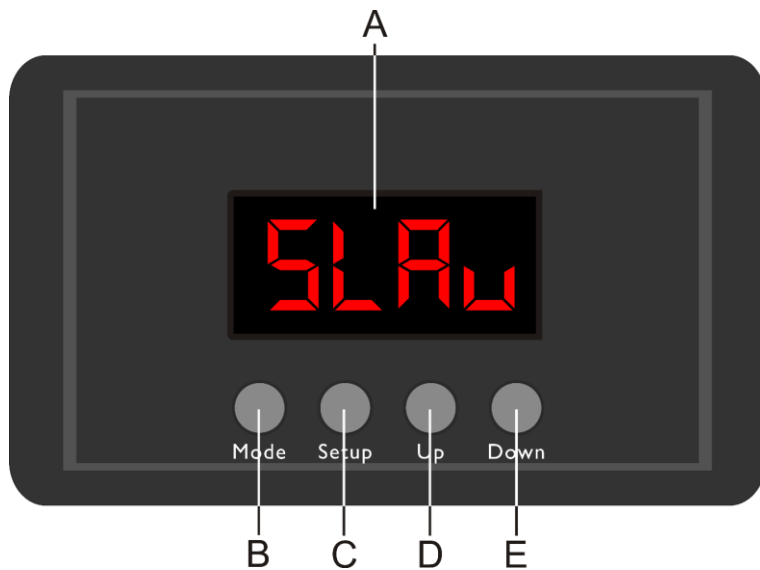
To link fixtures together, you must obtain data cables. You can purchase DAP Audio certified DMX cables directly from a dealer/distributor or construct your own cable. If you choose to create your own cable, please use data-grade cables that can carry a high quality signal and are less prone to electromagnetic interference.

### DAP Audio DMX Data Cables

- DAP Audio Basic microphone cable for allround use. bal. XLR/M 3-pin > XLR/F 3-pin. **Ordercode** FL01150 (1,5 m), FL013 (3 m), FL016 (6 m), FL0110 (10 m), FL0115 (15 m), FL0120 (20 m).
- DAP Audio X-type data cable XLR/M 3-pin > XLR/F 3-pin. **Ordercode** FLX0175 (0,75 m), FLX01150 (1,5 m), FLX013 (3 m), FLX016 (6 m), FLX0110 (10 m).
- DAP Audio cable for the demanding user with exceptional audio-qualities and connector made by Neutrik®. **Ordercode** FL71150 (1,5 m), FL713 (3 m), FL716 (6 m), FL7110 (10 m).
- DAP Audio cable for the demanding user with exceptional audio-qualities and connector made by Neutrik®. **Ordercode** FL7275 (0,75 m), FL72150 (1,5 m), FL723 (3 m), FL726 (6 m), FL7210 (10 m).
- DAP Audio 110 Ohm cable with digital signal transmission. **Ordercode** FL0975 (0,75 m), FL09150 (1,5 m), FL093 (3 m), FL096 (6 m), FL0910 (10 m), FL0915 (15 m), FL0920 (20 m).

The Aircone Q6 WDMX can be operated with a controller in **control mode** or without the controller in **stand-alone mode**.

## Control Panel



- A) LED display
- B) MODE button
- C) SETUP button
- D) UP button
- E) DOWN button

Fig. 05

## Control Mode

The fixtures are individually addressed on a data-link and connected to the controller. The fixtures respond to the DMX signal from the controller. (When you select the DMX address and save it, the controller will display the saved DMX address, next time.)

## DMX Addressing

The control panel on the front side of the base allows you to assign DMX fixture addresses, which is the first channel with which the Aircone will respond to the controller.

Please note, when you use the controller, the unit has **12** channels.

When using multiple Aircones, make sure you set the DMX addresses right.

Therefore, the DMX address of the first Aircone should be **1(001)**; the DMX address of the second Aircone should be **1+12=13 (013)**; the DMX address of the third Aircone should be **13+12=25 (025)**, etc.

Please, be sure that you do not have any overlapping channels in order to control each Aircone correctly. If two or more Aircones are addressed similarly, they will work similarly.

## Controlling:

After having addressed all Aircone fixtures, you may now start operating these via your lighting controller.

**Note:** After switching on, the Aircone will automatically detect whether DMX 512 data is received or not. If there is no data received at the DMX-input, the "LED" on the control panel will not flash.

If not, the problem may be:

- The XLR cable from the controller is not connected with the input of the Aircone Q6 WDMX.
- The controller is switched off or defective, the cable or connector is defective, or the signal wires are swapped in the input connector.

**Note:** It is necessary to insert an XLR termination plug (with 120 Ohm) in the last fixture in order to ensure proper transmission on the DMX data link.

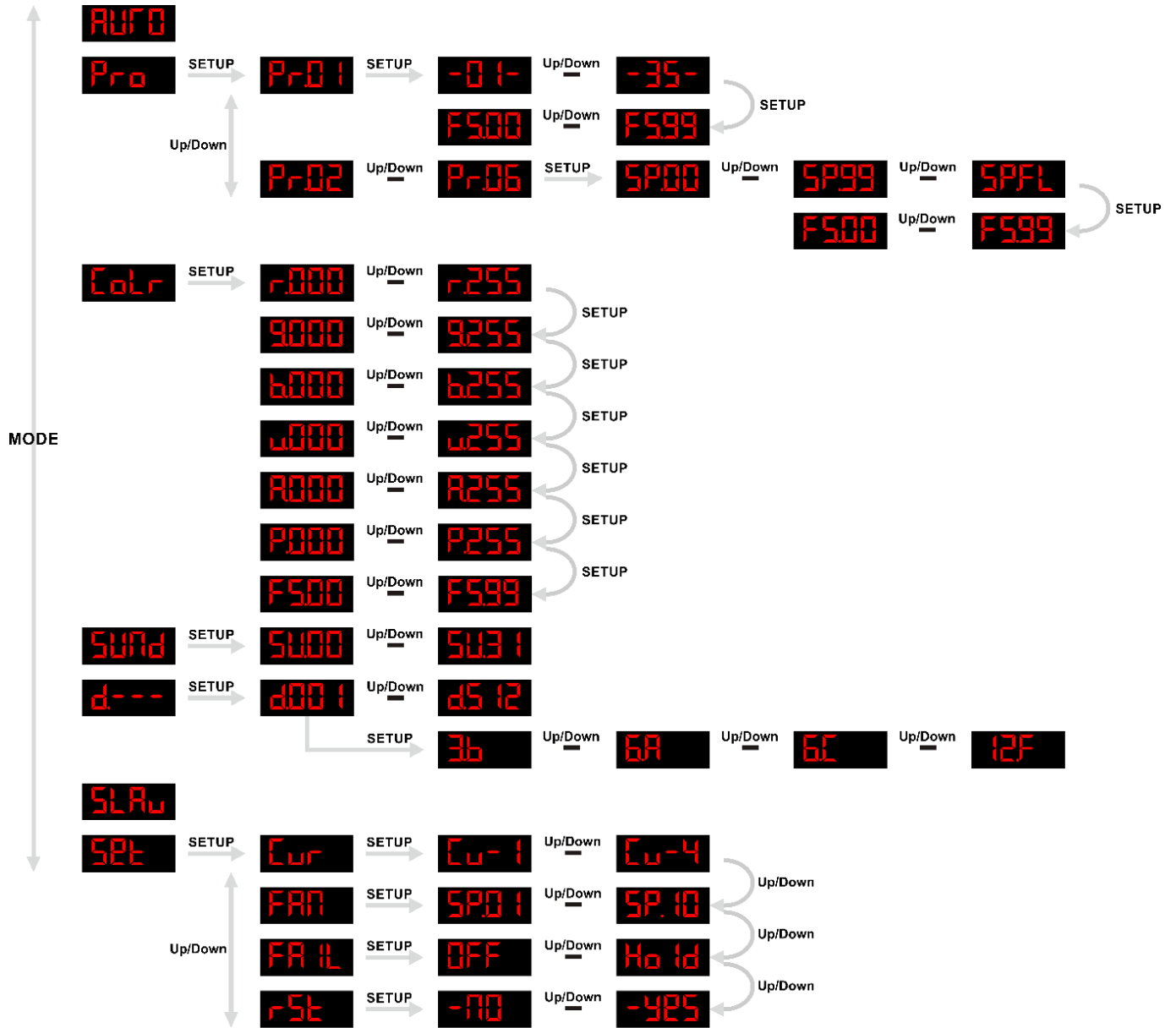
## Display Off after 60 seconds

When no button is pressed for 60 seconds, the display will turn off.

To light up the display, you have to press the MODE, SETUP, UP or DOWN button.

Once you have pressed the button, the display will light up.

Menu Overview



## Main Menu Options

<b>AUTO</b>	1. Auto
<b>Pro</b>	2. Built-in programs
<b>CoLr</b>	3. Manual (Static Colors)
<b>SUNd</b>	4. Sound-controlled
<b>d---</b>	5. DMX-512
<b>SLAv</b>	6. Master/Slave
<b>SEt</b>	7. Settings

The Aircone will show its software version upon start-up: **U12**.

### 1. Auto

- 01) While in main menu, press the **MODE** button until the display shows **AUTO**.
- 02) The device will now run the built-in programs in a sequence.

### 2. Built-in programs

- 01) While in main menu, press the **MODE** button until the display shows **Pro**.
- 02) Press the **SETUP** button to enter.
- 03) Press the **UP/DOWN** buttons to choose the desired built-in program.  
The adjustment range is between **Pr01** and **Pr06**.
- 04) If you have chosen **Pr01**, press the **SETUP** button to open the menu.
- 05) Press the **UP/DOWN** buttons to choose the desired color macro. The adjustment range is between **-01-** <sup>Up/Down</sup> **-35-**.
- 06) Press the **SETUP** button to proceed to strobe settings.
- 07) Press the **UP/DOWN** buttons to set the strobe frequency. The adjustment range is between **F500** <sup>Up/Down</sup> **F599**, from OFF to high frequency.
- 08) In step 3, if you have chosen one of the programs **Pr02** <sup>Up/Down</sup> **Pr06**, press the **SETUP** button to open the menu.
- 09) Press the **UP/DOWN** buttons to set the program speed. The adjustment range is between **SP00** <sup>Up/Down</sup> **SP99** <sup>Up/Down</sup> **SPFL**, from slow to fast and full speed.
- 10) Press the **SETUP** button to proceed to strobe settings.
- 11) Press the **UP/DOWN** buttons to set the strobe frequency. The adjustment range is between **F500** <sup>Up/Down</sup> **F599**, from OFF to high frequency.



### 3. Manual (Static Colors)

- 01) While in main menu, press the **MODE** button until the display shows **Colr**.
- 02) Press the **SETUP** button to enter.
- 03) Repeatedly press the **SETUP** button to toggle through the following static colors RED, GREEN, BLUE, WHITE, AMBER, UV.
- 04) Press the **UP/DOWN** buttons to set the LED brightness.

<b>r000</b>	Up/Down	<b>r255</b>	Red	0-255
<b>g000</b>	Up/Down	<b>g255</b>	Green	0-255
<b>b000</b>	Up/Down	<b>b255</b>	Blue	0-255
<b>w000</b>	Up/Down	<b>w255</b>	White	0-255
<b>a000</b>	Up/Down	<b>a255</b>	Amber	0-255
<b>u000</b>	Up/Down	<b>u255</b>	UV	0-255

- 05) The adjustment range for each color is between 0-255.
- 06) Use the Up / Down buttons to change the strobe speed from **F500** Up/Down **F599**.
- 07) You can combine RED, GREEN, BLUE, WHITE, AMBER and UV to create an infinite range of colors (0-255).

### 4. Sound-controlled

- 01) While in main menu, press the **MODE** button until the display shows **SUND**.
- 02) Press the **SETUP** button to enter.
- 03) Press the **UP/DOWN** buttons to set the sound sensitivity. The adjustment range is between **S000** Up/Down **S255**, from OFF to high sound sensitivity.

### 5. DMX-512

- 01) While in main menu, press the **MODE** button until the display shows **d---**.
- 02) Press the **SETUP** button to enter.
- 03) Press the **UP/DOWN** buttons to choose the desired DMX address.  
The adjustment range is between **d001** Up/Down **d512**.

### 6. Master/Slave

- 01) While in main menu, press the **MODE** button until the display shows **SLAV**.
- 02) The device is now operating in Slave mode and will react the same as its master device.

### 7. Settings

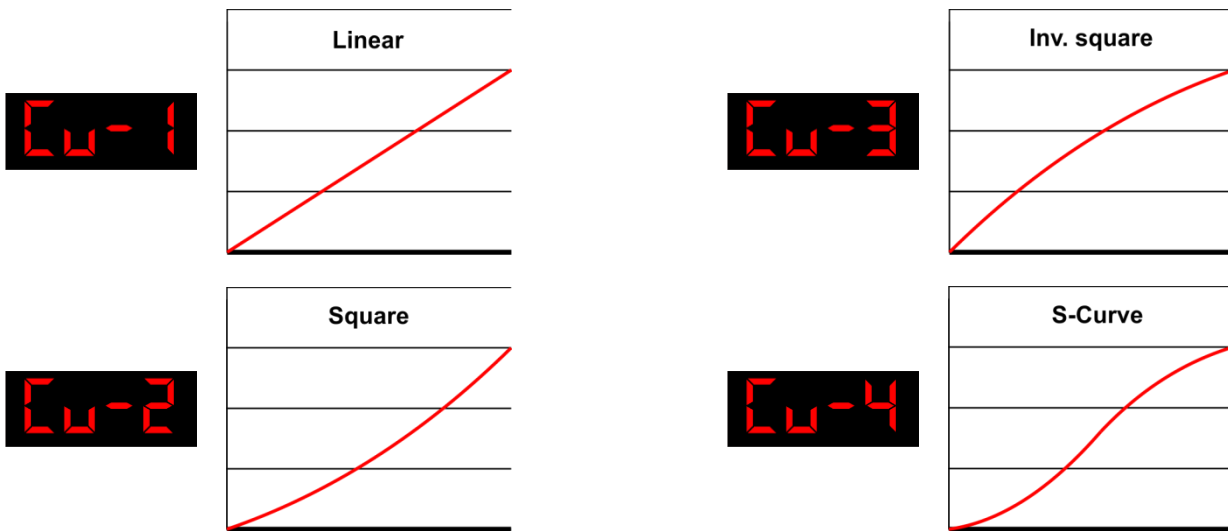
- 01) While in main menu, press the **MODE** button until the display shows **set**.
- 02) Press the **SETUP** button to enter.
- 03) Repeatedly press the **UP/DOWN** buttons to toggle through the following submenus:

<b>Cur</b>	Dimming curves
<b>FAN</b>	Fan speed
<b>FA IL</b>	DMX failure
<b>rSt</b>	Reset settings

- 04) Press the **SETUP** button to open the desired menu.

## 7.1. Dimming Curves

01) While in this menu, press the **UP/DOWN** buttons to set one of the 4 dimming curves:



## 7.2. Fan Speed

01) While in this menu, press the **UP/DOWN** buttons to set the fan speed. The adjustment range is between **SP.1** <sup>Up/Down</sup> **SP.10**, from slow to fast.

## 7.3. DMX Failure

- 01) While in this menu, press the **UP/DOWN** buttons to choose OFF or HOLD.
- 02) If you have chosen **OFF**, in case of a DMX failure, the Aircone will cut off its light output.
- 03) If you have chosen **Hold**, in case of a DMX failure, the Aircone will use the last working DMX signal, ensuring uninterrupted performance.

## 7.4. Reset Settings

- 01) While in this menu, press the **UP/DOWN** buttons to choose between NO and YES.
- 02) If you have chosen **NO**, press the **SETUP** button. The device will return to main menu.
- 03) If you have chosen **YES**, press the **SETUP** button. The device's settings will be reset.

**DMX Channels**

**3 channels (3.b)**

**Channel 1 – Dimmer**

0-255 Dimmer intensity, from dark to brightest

**Channel 2 – Strobe ⚠ CH1 must be open ⚠**

0-255 Strobe ON, from low to high frequency

**Channel 3 – Color presets ⚠ CH1 must be open ⚠**

0-6	OFF
7-13	Color 1: R(255)G(0)B(0)W(100)A(0)P(0)
14-20	Color 2: R(255)G(0)B(0)W(200)A(0)P(0)
21-27	Color 3: R(255)G(50)B(0)W(0)A(0)P(0)
28-34	Color 4: R(255)G(150)B(0)W(0)A(255)P(0)
35-41	Color 5: R(255)G(255)B(0)W(0)A(120)P(0)
42-48	Color 6: R(255)G(255)B(0)W(75)A(0)P(0)
49-55	Color 7: R(0)G(255)B(0)W(255)A(0)P(0)
56-62	Color 8: R(0)G(255)B(0)W(150)A(0)P(0)
63-69	Color 9: R(0)G(255)B(0)W(50)A(0)P(0)
70-76	Color 10: R(0)G(255)B(0)W(0)A(0)P(0)
77-83	Color 11: R(0)G(255)B(50)W(0)A(0)P(50)
84-90	Color 12: R(0)G(255)B(150)W(0)A(0)P(150)
91-97	Color 13: R(0)G(255)B(255)W(0)A(0)P(255)
98-104	Color 14: R(0)G(255)B(255)W(75)A(0)P(255)
105-111	Color 15: R(0)G(255)B(255)W(150)A(0)P(255)
112-118	Color 16: R(0)G(100)B(255)W(255)A(0)P(255)
119-125	Color 17: R(0)G(0)B(255)W(100)A(0)P(255)
126-132	Color 18: R(0)G(0)B(255)W(50)A(0)P(255)
133-139	Color 19: R(0)G(0)B(255)W(0)A(0)P(0)
140-146	Color 20: R(75)G(0)B(255)W(0)A(0)P(255)
147-153	Color 21: R(160)G(0)B(255)W(0)A(0)P(255)
154-160	Color 22: R(255)G(0)B(255)W(0)A(0)P(255)
161-167	Color 23: R(255)G(0)B(175)W(0)A(0)P(175)
168-174	Color 24: R(255)G(0)B(100)W(0)A(0)P(100)
175-181	Color 25: R(255)G(0)B(100)W(50)A(0)P(100)
182-188	Color 26: R(255)G(0)B(25)W(50)A(0)P(25)
189-195	Color 27: R(255)G(0)B(25)W(25)A(0)P(25)
196-202	Color 28: R(255)G(0)B(25)W(0)A(0)P(25)
203-209	Color 29: R(0)G(0)B(0)W(255)A(0)P(0)
210-216	Color 30: R(75)G(75)B(0)W(255)A(0)P(0)
217-223	Color 31: R(0)G(0)B(100)W(255)A(0)P(100)
224-230	Color 32: R(255)G(150)B(0)W(70)A(255)P(0)
231-237	Color 33: R(255)G(255)B(255)W(255)A(40)P(255)
238-255	Color 34: R(255)G(255)B(255)W(255)A(255)P(255)

**6 channels (6.A)**

**Channel 1 – Dimmer**

0-255 Dimmer intensity, from dark to brightest

**Channel 2 – Strobe ⚠ CH1 must be open ⚠**

0-255 Strobe ON, from low to high frequency

**Channel 3 – Color presets** ⚠️ **CH1 must be open, CH4 must be set between 0-41** ⚠️

0-6	OFF
7-13	Color 1: R(255)G(0)B(0)W(100)A(0)P(0)
14-20	Color 2: R(255)G(0)B(0)W(200)A(0)P(0)
21-27	Color 3: R(255)G(50)B(0)W(0)A(0)P(0)
28-34	Color 4: R(255)G(150)B(0)W(0)A(255)P(0)
35-41	Color 5: R(255)G(255)B(0)W(0)A(120)P(0)
42-48	Color 6: R(255)G(255)B(0)W(75)A(0)P(0)
49-55	Color 7: R(0)G(255)B(0)W(255)A(0)P(0)
56-62	Color 8: R(0)G(255)B(0)W(150)A(0)P(0)
63-69	Color 9: R(0)G(255)B(0)W(50)A(0)P(0)
70-76	Color 10: R(0)G(255)B(0)W(0)A(0)P(0)
77-83	Color 11: R(0)G(255)B(50)W(0)A(0)P(50)
84-90	Color 12: R(0)G(255)B(150)W(0)A(0)P(150)
91-97	Color 13: R(0)G(255)B(255)W(0)A(0)P(255)
98-104	Color 14: R(0)G(255)B(255)W(75)A(0)P(255)
105-111	Color 15: R(0)G(255)B(255)W(150)A(0)P(255)
112-118	Color 16: R(0)G(100)B(255)W(255)A(0)P(255)
119-125	Color 17: R(0)G(0)B(255)W(100)A(0)P(255)
126-132	Color 18: R(0)G(0)B(255)W(50)A(0)P(255)
133-139	Color 19: R(0)G(0)B(255)W(0)A(0)P(0)
140-146	Color 20: R(75)G(0)B(255)W(0)A(0)P(255)
147-153	Color 21: R(160)G(0)B(255)W(0)A(0)P(255)
154-160	Color 22: R(255)G(0)B(255)W(0)A(0)P(255)
161-167	Color 23: R(255)G(0)B(175)W(0)A(0)P(175)
168-174	Color 24: R(255)G(0)B(100)W(0)A(0)P(100)
175-181	Color 25: R(255)G(0)B(100)W(50)A(0)P(100)
182-188	Color 26: R(255)G(0)B(25)W(50)A(0)P(25)
189-195	Color 27: R(255)G(0)B(25)W(25)A(0)P(25)
196-202	Color 28: R(255)G(0)B(25)W(0)A(0)P(25)
203-209	Color 29: R(0)G(0)B(0)W(255)A(0)P(0)
210-216	Color 30: R(75)G(75)B(0)W(255)A(0)P(0)
217-223	Color 31: R(0)G(0)B(100)W(255)A(0)P(100)
224-230	Color 32: R(255)G(150)B(0)W(70)A(255)P(0)
231-237	Color 33: R(255)G(255)B(255)W(255)A(40)P(255)
238-255	Color 34: R(255)G(255)B(255)W(255)A(255)P(255)

**Channel 4 – Functions**

0-41	Built-in program (dimfade1)
42-83	Built-in program (dimfade2)
84-125	Built-in program (dimfade3)
126-167	Built-in program (colorswitch1)
168-209	Built-in program (colorswitch2)
210-251	Built-in program (colorswitch3)
252-255	Sound-controlled mode

**Channel 5 – Program speed** ⚠️ **CH4 must be set between 42-251** ⚠️

0-255	Program speed adjustment, from slow to fast
-------	---

**Channel 5 – Sound sensitivity** ⚠️ **CH4 must be set between 252-255** ⚠️

0-255	Sound sensitivity, from low to high sensitivity
-------	---

**Channel 6 – Fan speed**

0-255	Fan speed adjustment, from fast to slow
-------	---

## 6 channels (6.C)

### Channel 1 – Red

0-255 Gradual adjustment Red, from 0-100%

### Channel 2 – Green

0-255 Gradual adjustment Green, from 0-100%

### Channel 3 – Blue

0-255 Gradual adjustment Blue, from 0-100%

### Channel 4 – White

0-255 Gradual adjustment White, from 0-100%

### Channel 5 – Amber

0-255 Gradual adjustment Amber, from 0-100%

### Channel 6 – UV

0-255 Gradual adjustment UV, from 0-100%

## 12 channels (12.F)

### Channel 1 – Dimmer

0-255 Dimmer intensity, from dark to brightest

### Channel 2 – Strobe CH1 must be open

0-255 Strobe ON, from low to high frequency

### Channel 3 – Color presets CH1 must be open, CH4 must be set between 0-41

0-6	OFF
7-13	Color 1: R(255)G(0)B(0)W(100)A(0)P(0)
14-20	Color 2: R(255)G(0)B(0)W(200)A(0)P(0)
21-27	Color 3: R(255)G(50)B(0)W(0)A(0)P(0)
28-34	Color 4: R(255)G(150)B(0)W(0)A(255)P(0)
35-41	Color 5: R(255)G(255)B(0)W(0)A(120)P(0)
42-48	Color 6: R(255)G(255)B(0)W(75)A(0)P(0)
49-55	Color 7: R(0)G(255)B(0)W(255)A(0)P(0)
56-62	Color 8: R(0)G(255)B(0)W(150)A(0)P(0)
63-69	Color 9: R(0)G(255)B(0)W(50)A(0)P(0)
70-76	Color 10: R(0)G(255)B(0)W(0)A(0)P(0)
77-83	Color 11: R(0)G(255)B(50)W(0)A(0)P(50)
84-90	Color 12: R(0)G(255)B(150)W(0)A(0)P(150)
91-97	Color 13: R(0)G(255)B(255)W(0)A(0)P(255)
98-104	Color 14: R(0)G(255)B(255)W(75)A(0)P(255)
105-111	Color 15: R(0)G(255)B(255)W(150)A(0)P(255)
112-118	Color 16: R(0)G(100)B(255)W(255)A(0)P(255)
119-125	Color 17: R(0)G(0)B(255)W(100)A(0)P(255)
126-132	Color 18: R(0)G(0)B(255)W(50)A(0)P(255)
133-139	Color 19: R(0)G(0)B(255)W(0)A(0)P(0)
140-146	Color 20: R(75)G(0)B(255)W(0)A(0)P(255)
147-153	Color 21: R(160)G(0)B(255)W(0)A(0)P(255)
154-160	Color 22: R(255)G(0)B(255)W(0)A(0)P(255)
161-167	Color 23: R(255)G(0)B(175)W(0)A(0)P(175)
168-174	Color 24: R(255)G(0)B(100)W(0)A(0)P(100)
175-181	Color 25: R(255)G(0)B(100)W(50)A(0)P(100)
182-188	Color 26: R(255)G(0)B(25)W(50)A(0)P(25)

189-195	Color 27: R(255)G(0)B(25)W(25)A(0)P(25)
196-202	Color 28: R(255)G(0)B(25)W(0)A(0)P(25)
203-209	Color 29: R(0)G(0)B(0)W(255)A(0)P(0)
210-216	Color 30: R(75)G(75)B(0)W(255)A(0)P(0)
217-223	Color 31: R(0)G(0)B(100)W(255)A(0)P(100)
224-230	Color 32: R(255)G(150)B(0)W(70)A(255)P(0)
231-237	Color 33: R(255)G(255)B(255)W(255)A(40)P(255)
238-255	Color 34: R(255)G(255)B(255)W(255)A(255)P(255)

## Channel 4 – Functions

0-41	Built-in program (dimfade1)
42-83	Built-in program (dimfade2)
84-125	Built-in program (dimfade3)
126-167	Built-in program (colorswitch1)
168-209	Built-in program (colorswitch2)
210-251	Built-in program (colorswitch3)
252-255	Sound-controlled mode

## Channel 5 – Program speed CH4 must be set between 42-251

0-255	Program speed adjustment, from slow to fast
-------	---

## Channel 5 – Sound sensitivity CH4 must be set between 252-255

0-255	Sound sensitivity, from low to high sensitivity
-------	---

## Channel 6 – Fan speed

0-255	Fan speed adjustment, from fast to slow
-------	---

## Channel 7 – Red

 CH1 must be open, CH3 must be closed, CH4 must be set between 0-41 

0-255	Gradual adjustment Red, from 0-100%
-------	-------------------------------------

## Channel 8 – Green

 CH1 must be open, CH3 must be closed, CH4 must be set between 0-41 

0-255	Gradual adjustment Green, from 0-100%
-------	---------------------------------------

## Channel 9 – Blue

 CH1 must be open, CH3 must be closed, CH4 must be set between 0-41 

0-255	Gradual adjustment Blue, from 0-100%
-------	--------------------------------------

## Channel 10 – White

 CH1 must be open, CH3 must be closed, CH4 must be set between 0-41 

0-255	Gradual adjustment White, from 0-100%
-------	---------------------------------------

## Channel 11 – Amber

 CH1 must be open, CH3 must be closed, CH4 must be set between 0-41 

0-255	Gradual adjustment Amber, from 0-100%
-------	---------------------------------------

## Channel 12 – UV

 CH1 must be open, CH3 must be closed, CH4 must be set between 0-41 

0-255	Gradual adjustment UV, from 0-100%
-------	------------------------------------

## Maintenance

---

The operator has to make sure that safety-related and machine-technical installations are to be inspected by an expert after every year in the course of an acceptance test.

The operator has to make sure that safety-related and machine-technical installations are to be inspected by a skilled person once a year.

The following points have to be considered during the inspection:

- 01) All screws used for installing the device or parts of the device have to be tightly connected and must not be corroded.
- 02) There may not be any deformations on housings, fixations and installation spots.
- 03) Mechanically moving parts like axles, eyes and others may not show any traces of wearing.
- 04) The electric power supply cables must not show any damages or material fatigue.

The Aircone Q6 WDMX requires almost no maintenance. However, you should keep the unit clean. Otherwise, the fixture's light output will be significantly reduced. Disconnect the mains power supply, and then wipe the cover with a damp cloth. Do not immerse in liquid. Wipe lens clean with glass cleaner and a soft cloth. Do not use alcohol or solvents.

The front lens will require weekly cleaning, as smoke-fluid tends to build up residues, reducing the light output very quickly.

The fan should be cleaned monthly, with a soft brush.

Please clean internal components once a year with a light brush and vacuum cleaner.

Keep connections clean. Disconnect electric power, and then wipe the DMX and audio connections with a damp cloth. Make sure connections are thoroughly dry before linking equipment or supplying electric power.

## Replacing the Fuse

Power surges, short-circuit or inappropriate electrical power supply may cause a fuse to burn out.

If the fuse burns out, the product will not function whatsoever. If this happens, follow the directions below:

- 01) Unplug the unit from electric power source.
- 02) Insert a screwdriver into the fuse holder. Turn the fuse holder counterclockwise. The fuse holder will come out.
- 03) Remove the used fuse. If brown or unclear, it is burned out.
- 04) Insert the replacement fuse into the holder where the old fuse was. Reinsert the fuse holder. Be sure to use a fuse of the same type and specification. See the product specification label for details.



## Troubleshooting

---

This troubleshooting guide is meant to help solve simple problems.

If a problem occurs, carry out the steps below in sequence until a solution is found. Once the unit operates properly, do not carry out following steps.

### No Light

If the light effect does not operate properly, refer servicing to a technician.

Suspect three potential problem areas as: the power supply, the LEDs, the fuse.

- 01) Power supply. Check if the unit is plugged into an appropriate power supply.
- 02) The LEDs. Return the Aircone to your Showtec dealer.
- 03) The fuse. Replace the fuse. See page 22 for replacing the fuse.
- 04) If all appears to be O.K., plug the unit in again.
- 05) If you are unable to determine the cause of the problem, do not open the Aircone, as this may damage the unit and the warranty will become void.
- 06) Return the device to your Showtec dealer.

### No Response to DMX

Suspect the DMX cable or connectors, a controller malfunction, a light effect DMX card malfunction.

- 01) Check the DMX setting. Make sure that DMX addresses are correct.
- 02) Check the DMX cable: Unplug the unit; change the DMX cable; then reconnect to electrical power. Try your DMX control again.
- 03) Determine whether the controller or light effect is at fault. Does the controller operate properly with other DMX products? If not, take the controller in for repair. If so, take the DMX cable and the light effect to a qualified technician.



<b>Problem</b>	<b>Probable cause(s)</b>	<b>Solution</b>
One or more fixtures do not function at all	No power to the fixture	<ul style="list-style-type: none"> <li>• Check if power is switched on and cables are plugged in</li> </ul>
	Primary fuse blown	<ul style="list-style-type: none"> <li>• Replace fuse</li> </ul>
Fixtures reset correctly, but all respond erratically or not at all to the controller	The controller is not connected.	<ul style="list-style-type: none"> <li>• Connect controller</li> </ul>
	3-pin XLR Out of the controller does not match XLR Out of the first fixture on the link (i.e. signal is reversed)	<ul style="list-style-type: none"> <li>• Install a phase reversing cable between the controller and the first fixture on the link</li> </ul>
Fixtures reset correctly, but some respond erratically or not at all to the controller	Poor data quality	<ul style="list-style-type: none"> <li>• Check data quality. If much lower than 100 percent, the problem may be a bad data link connection, poor quality or broken cables, missing termination plug, or a defective fixture disturbing the link</li> </ul>
	Bad data link connection	<ul style="list-style-type: none"> <li>• Inspect connections and cables. Correct poor connections. Repair or replace damaged cables</li> </ul>
	Data link not terminated with 120 Ohm termination plug	<ul style="list-style-type: none"> <li>• Insert termination plug in output jack of the last fixture on the link</li> </ul>
	Incorrect addressing of the fixtures	<ul style="list-style-type: none"> <li>• Check address setting</li> </ul>
	One of the fixtures is defective and disturbs data transmission on the link	<ul style="list-style-type: none"> <li>• Bypass one fixture at a time until normal operation is restored: unplug both connectors and connect them directly together.</li> <li>• Have the defective fixture serviced by a qualified technician</li> </ul>
	3-pin XLR Out on the fixtures does not match (pins 2 and 3 reversed)	<ul style="list-style-type: none"> <li>• Install a phase-reversing cable between the fixtures or swap pin 2 and 3 in the fixture that behaves erratically</li> </ul>
No light or LEDs cut out intermittently	Fixture is too hot	<ul style="list-style-type: none"> <li>• Allow the fixture to cool down</li> <li>• Clean the fan</li> <li>• Make sure air vents and front lens are not blocked</li> <li>• Turn up the air conditioning</li> </ul>
	LEDs damaged	<ul style="list-style-type: none"> <li>• Disconnect the fixture and return it to your dealer</li> </ul>
	The power supply settings do not match local AC voltage and frequency	<ul style="list-style-type: none"> <li>• Disconnect fixture. Check settings and correct if necessary</li> </ul>

## Product Specifications

Model:	Showtec Aircone Q6 WDMX
Input voltage:	100-240V AC, 50/60Hz
Power consumption:	160W (full output)
DMX linking:	30pcs
Fuse:	T2AL/250V
Dimensions:	470 x 150 mm (WxH)
Weight:	11 kg
<b>Operating and Programming:</b>	
Signal pin OUT:	Pin 1 (earth), pin 2 (-), pin 3 (+)
DMX Mode:	3, 6, 6, 12 channels
Signal input:	3-pin XLR IN
Signal output:	3-pin XLR OUT
<b>Electro-mechanical effects:</b>	
Light source:	6 x 8W RGBWA-UV LEDs
Cone length:	2500 mm
Dimmer:	0-100%
Strobe:	0-20Hz
Housing:	Aluminum
DMX control:	via standard DMX controller
Onboard:	4-digit LED display for easy setup
Control:	Auto, Built-in programs, Static Colors, Sound, Slave, DMX
Connections:	3-pin XLR data connectors IN/OUT, PowerCON power connector IN/OUT
IP rating:	IP-20
Cooling:	Internal fan
Color:	Black
Max. ambient temperature $t_a$ :	40°C
Max. housing temperature $t_B$ :	70°C
<b>Minimum distance:</b>	
Minimum distance from flammable surfaces:	0,5 m
Minimum distance to lighted object:	1 m

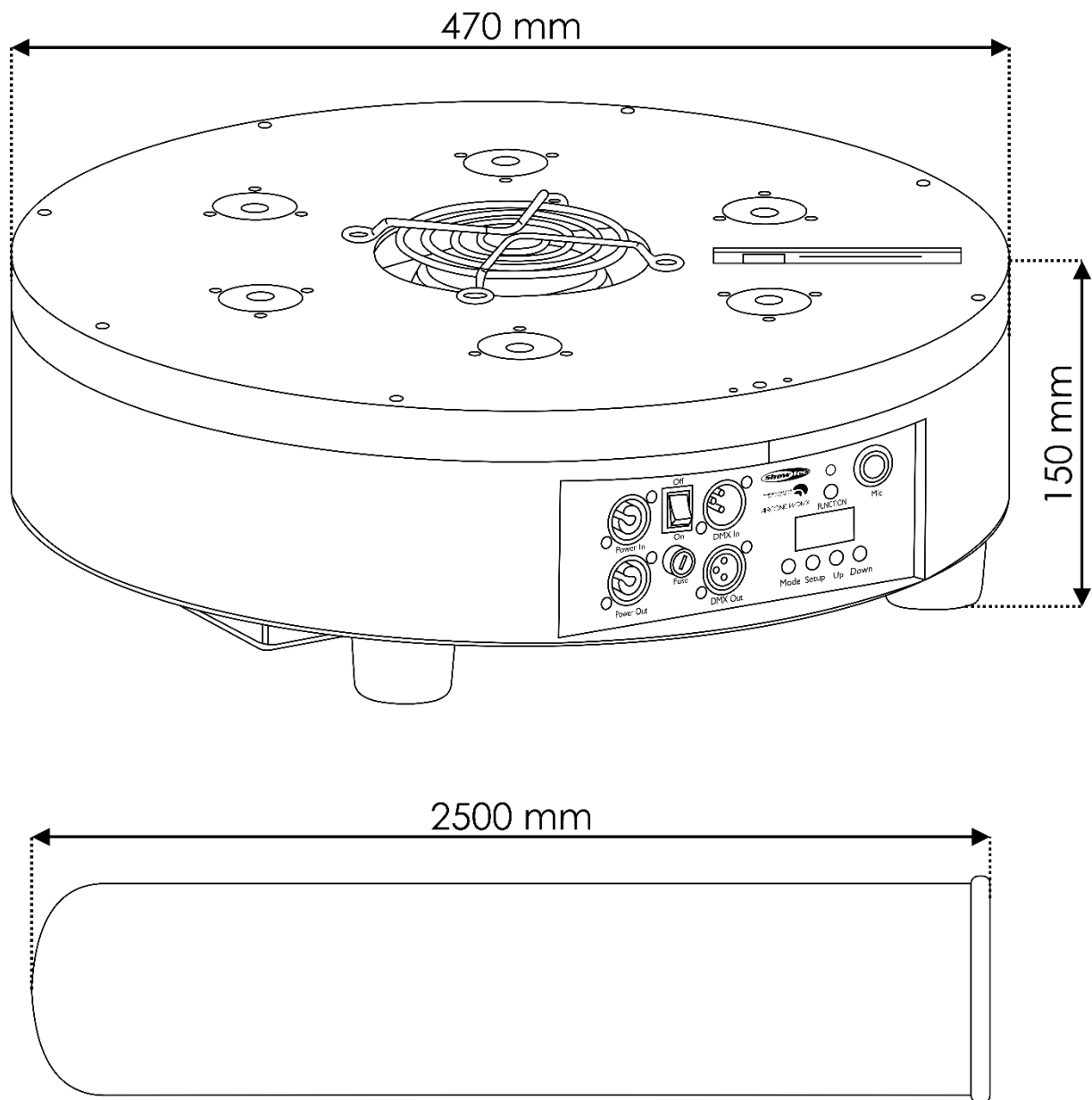
Design and product specifications are subject to change without prior notice.



Website: [www.Showtec.info](http://www.Showtec.info)

Email: [service@highlite.nl](mailto:service@highlite.nl)

## Dimensions





©2017 Showtec