

**ENGLISH**

**Fast-Setup Screen Pro**

**V1**

Ordercode: 100430/100431/100432

## Table of contents

---

|  |    |
|--|----|
| <b>Warning</b> .....                   | 2  |
| Safety Instructions .....              | 2  |
| Return Procedure .....                 | 3  |
| Claims .....                           | 3  |
| <b>Description of the device</b> ..... | 4  |
| Overview .....                         | 5  |
| <b>Installation</b> .....              | 5  |
| Accessories .....                      | 5  |
| <b>Set Up and Operation</b> .....      | 6  |
| Main Frame Installation .....          | 6  |
| Fabric Installation .....              | 8  |
| Leg Installation .....                 | 9  |
| Disassembly .....                      | 11 |
| <b>Maintenance</b> .....               | 14 |
| Fabric Cleaning .....                  | 14 |
| Precautions .....                      | 14 |
| <b>Product Specifications</b> .....    | 14 |
| <b>Dimensions</b> .....                | 15 |
| <b>Notes</b> .....                     | 16 |

## Warning



**For your own safety, please read this user manual carefully  
before your initial start-up!**

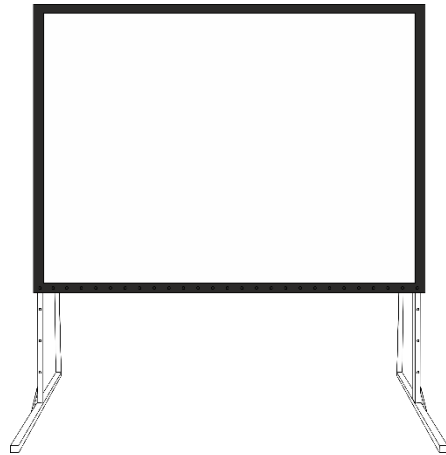


## Unpacking Instructions

Immediately upon receiving this product, carefully unpack the carton and check the contents to ensure that all parts are present, and have been received in good condition. Notify the dealer immediately and retain packing material for inspection if any parts appear damaged from shipping or the carton itself shows signs of mishandling. Save the carton and all packing materials. In the event that a fixture must be returned to the factory, it is important that the fixture be returned in the original factory box and packing.

### Your shipment includes:

- DMT Fast-Setup Screen Pro 100" / 120" / 150"
- User manual



## Safety Instructions

Every person involved with the installation, operation and maintenance of this device has to:

- be qualified
- follow the instructions of this manual

Before the initial start-up, please make sure that there is no damage caused by transportation. Should there be any, consult your dealer and do not use the device.

To maintain perfect condition and to ensure a safe operation, it is absolutely necessary for the user to follow the safety instructions and warning notes contained in this manual.

Please consider that damages caused by manual modifications to the device are not subject to warranty. This device contains no user-serviceable parts. Refer servicing to qualified technicians only.

### IMPORTANT:

The manufacturer will not accept liability for any resulting damages caused by the non-observance of this manual or any unauthorized modification to the device.

- Never remove warning or informative labels from the unit.
- Do not shake the device. Avoid brute force when installing or operating the device.
- Do not touch the screen surface.
- Do not write or draw on the screen surface.
- Do not poke the screen fabric with fingers or tools.
- Only use the device in locations shielded from the elements, especially wind. Strong wind may cause the screen to fall.
- Avoid flames and do not put close to flammable liquids or gases.
- Make sure that the device is not exposed to extreme heat, moisture or dust.
- If device was dropped or struck, have a qualified engineer inspect for safety before operating.
- If your DMT device fails to work properly, discontinue the use immediately. Pack the unit securely (preferably in the original packing material), and return it to your DMT dealer for service.

- The user is responsible for correct positioning and operating of the Fast-Setup Screen Pro. The manufacturer will not accept liability for damages caused by the misuse or incorrect installation of this device.
- For adult use only. Device must be installed out of the reach of children. Never leave the unit running unattended.
- Repairs and servicing must be carried out by at least 2 qualified technicians.
- WARRANTY: Till one year after date of purchase.

*You endanger your own safety and the safety of others!*

*Improper installation can cause serious injuries and/or damage of property!*



### **Return Procedure**

Returned merchandise must be sent prepaid and in the original packing, call tags will not be issued. Package must be clearly labeled with a Return Authorization Number (RMA number). Products returned without an RMA number will be refused. Highlite will not accept the returned goods or any responsibility. Call Highlite 0031-455667723 or mail [offersales@highlite.nl](mailto:offersales@highlite.nl) and request an RMA prior to shipping the fixture. Be prepared to provide the model number, serial number and a brief description of the cause for the return. Be sure to properly pack fixture, any shipping damage resulting from inadequate packaging is the customer's responsibility. Highlite reserves the right to use its own discretion to repair or replace product(s). As a suggestion, proper UPS packing or double-boxing is always a safe method to use.

**Note: If you are given an RMA number, please include the following information on a piece of paper inside the box:**

- 01) Your name
- 02) Your address
- 03) Your phone number
- 04) A brief description of the symptoms

### **Claims**

The client has the obligation to check the delivered goods immediately upon delivery for any shortcomings and/or visible defects, or perform this check after our announcement that the goods are at their disposal. Damage incurred in shipping is the responsibility of the shipper; therefore the damage must be reported to the carrier upon receipt of merchandise.

It is the customer's responsibility to report and submit claims with the shipper in the event that a fixture is damaged due to shipping. Transportation damage has to be reported to us within one day after receipt of the delivery.

Any return shipment has to be made post-paid at all times. Return shipments must be accompanied with a letter defining the reason for return shipment. Non-prepaid return shipments will be refused, unless agreed otherwise in writing.

Complaints against us must be prepared in writing or sent by fax within 10 working days after receipt of the invoice. After this period complaints will not be handled anymore.

Complaints will only then be considered if the client has so far complied with all parts of the agreement, regardless of the agreement from which the obligation is resulting.

## Description of the device

### Features

DMT Fast-Setup Screens have an easy and sturdy design. There are no parts to install and no tools are needed because the frame and the support use their own connectors and come with the built-in turning knobs. Its robust frame ensures it can hold up to the toughest of challenges.

With a design that focuses on fast and easy assembly, it is a perfect solution for mobile presentations and performances. All fastfold screens come with a flight case and two fabrics (front-view and rear-view). Each fabric is packed separately in a protective cover to give it maximum protection.

#### 100430

- Size: 100"
- Viewing area: 2015 x 1524 mm
- Maximum height: 2421 mm
- Minimum height: 2273 mm
- Gain (front view): 1.0
- Gain (rear view): 0.8
- Viewing angle (front view): 160°
- Viewing angle (rear view): 140°
- Dimensions (screen): 2170 x 845 x 2421 mm (LxWxH)
- Dimensions (flight case): 958 x 290 x 305 mm (LxWxH)
- Weight (screen): 17,8 kg
- Weight (flight case): 15,2 kg

#### 100431

- Size: 120"
- Viewing area: 2438 x 1828 mm
- Maximum height: 3416 mm
- Minimum height: 2700 mm
- Gain (front view): 1.0
- Gain (rear view): 0.8
- Viewing angle (front view): 160°
- Viewing angle (rear view): 140°
- Dimensions (screen): 2618 x 1045 x 3416 mm (LxWxH)
- Dimensions (flight case): 1115 x 290 x 305 mm (LxWxH)
- Weight (screen): 21,6 kg
- Weight (flight case): 16,7 kg

#### 100432

- Size: 150"
- Viewing area: 3048 x 2286 mm
- Maximum height: 4207 mm
- Minimum height: 3185 mm
- Gain (front view): 1.0
- Gain (rear view): 0.8
- Viewing angle (front view): 160°
- Viewing angle (rear view): 140°
- Dimensions (screen): 3248 x 1045 x 4207 mm (LxWxH)
- Dimensions (flight case): 1355 x 290 x 305 mm (LxWxH)
- Weight (screen): 26,4 kg
- Weight (flight case): 19,2 kg

#### Optional accessories:

[100460](#) – Front-view fabric (for 100430)

[100461](#) – Front-view fabric (for 100431)

[100462](#) – Front-view fabric (for 100432)

[100464](#) – Rear-view fabric (for 100430)

[100465](#) – Rear-view fabric (for 100431)

[100466](#) – Rear-view fabric (for 100432)

## Overview

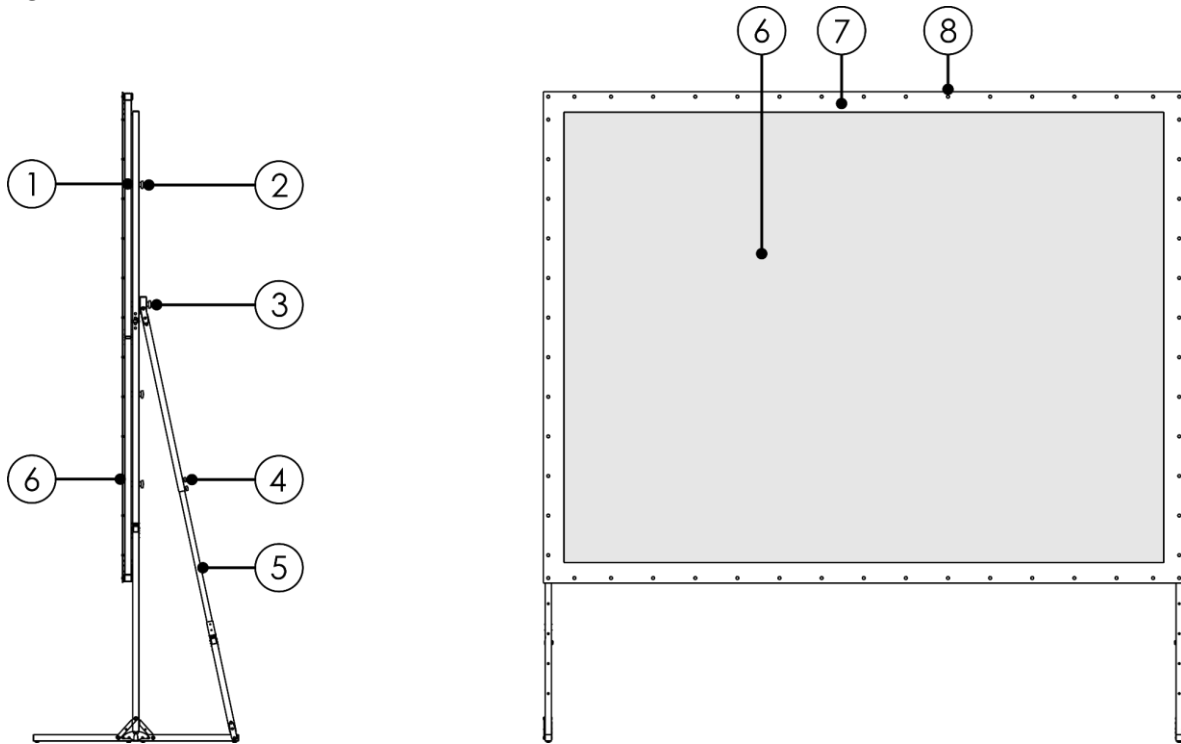


Fig. 01

- 01) Main frame
- 02) M8 x 53 mm screw
- 03) 8 x 90 mm locknut
- 04) Leg screw

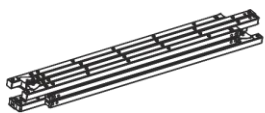
- 05) Leg tube
- 06) Fabric
- 07) Fabric black border
- 08) Fabric button

## Installation

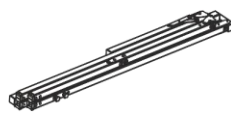
Remove all packing materials from the Fast-Setup Screen Pro. Check if all foam and plastic padding is removed.

**Damages caused by non-observance are not subject to warranty.**

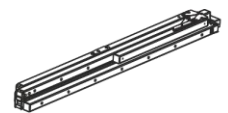
## Accessories



1 x main frame



1 x left leg



1 x right leg



2 x fabric package bag



1 x white screen



1 x gray screen



6 x M8x53 mm screw



2 x M8x90 mm locknut



1 x accessory bag

Fig. 02

## Set Up and Operation

Follow the directions below, as they pertain to your preferred operation mode.

### Main Frame Installation

01) Open the flight case, press the corner link rod and remove the accessories from the flight case.

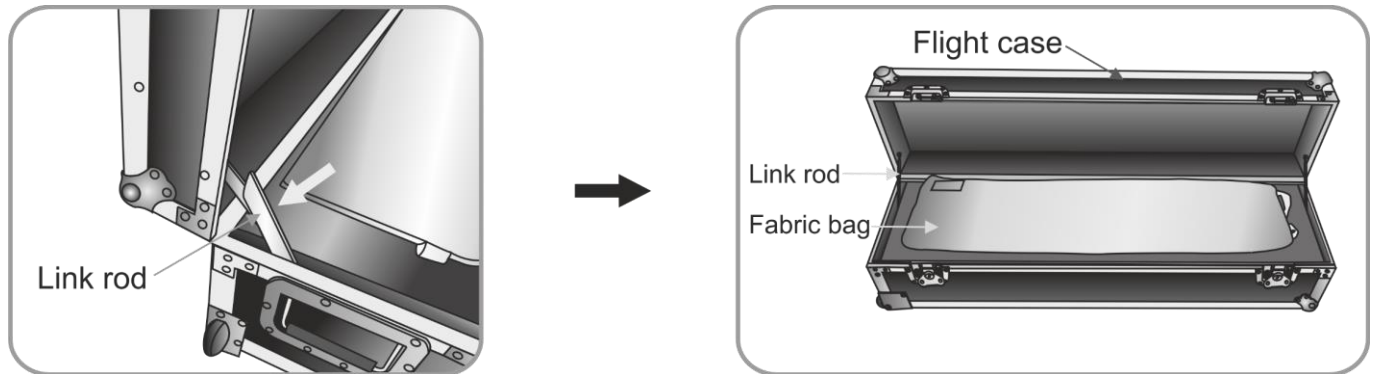


Fig. 03

02) Put the main frame on the floor, with the fabric rivet facing up. Stretch the tuning joints.

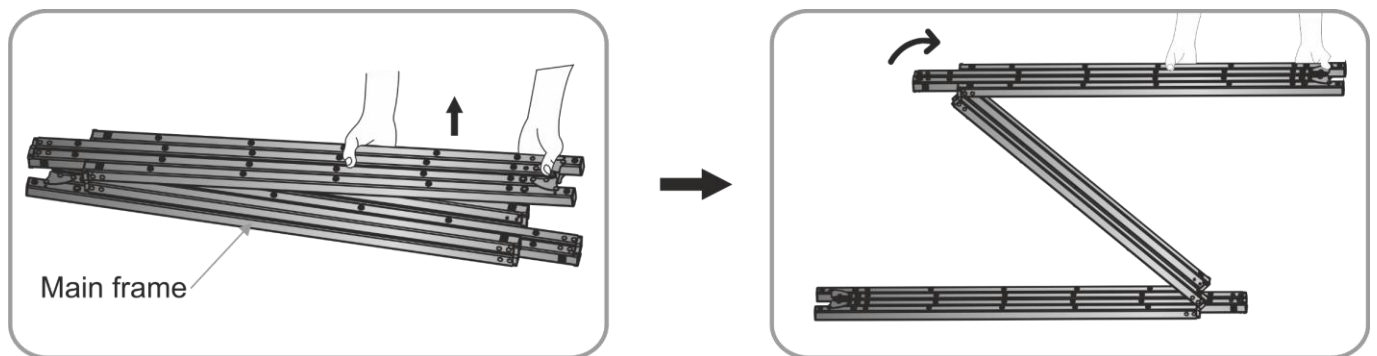


Fig. 04

03) In order to secure the frame, click the hinges into position. Extend the horizontal side of the frame.

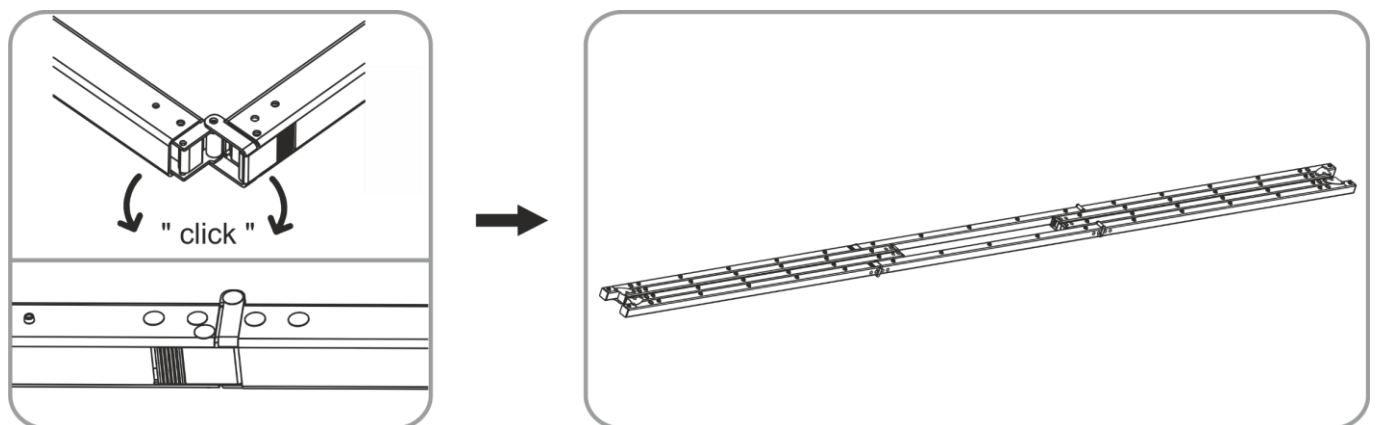
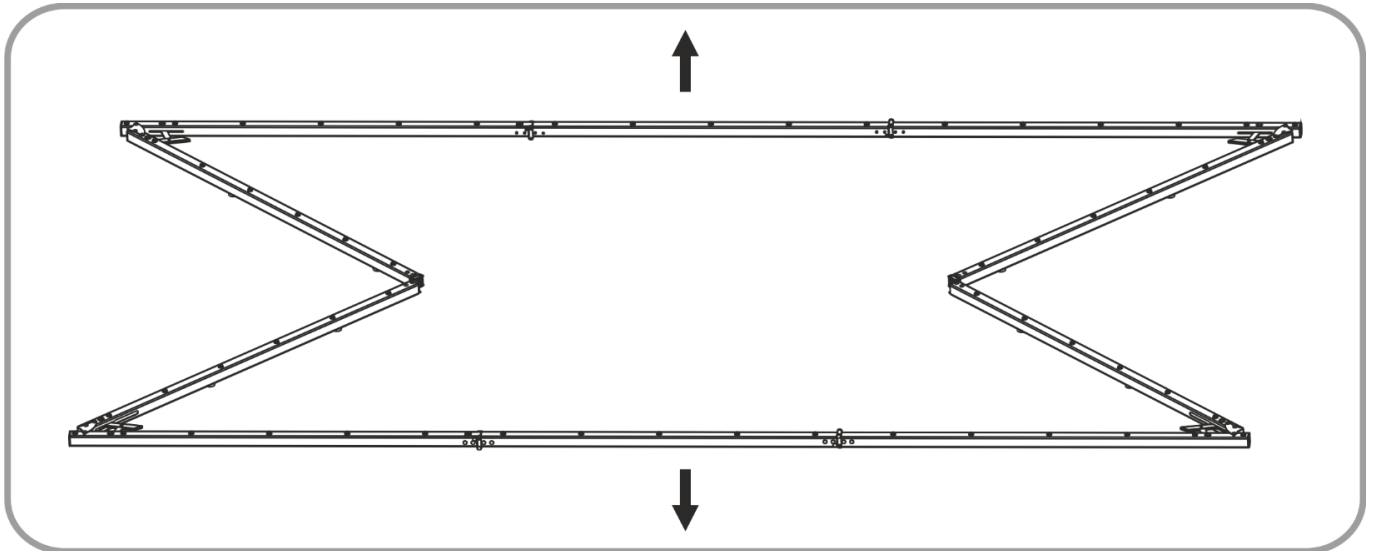


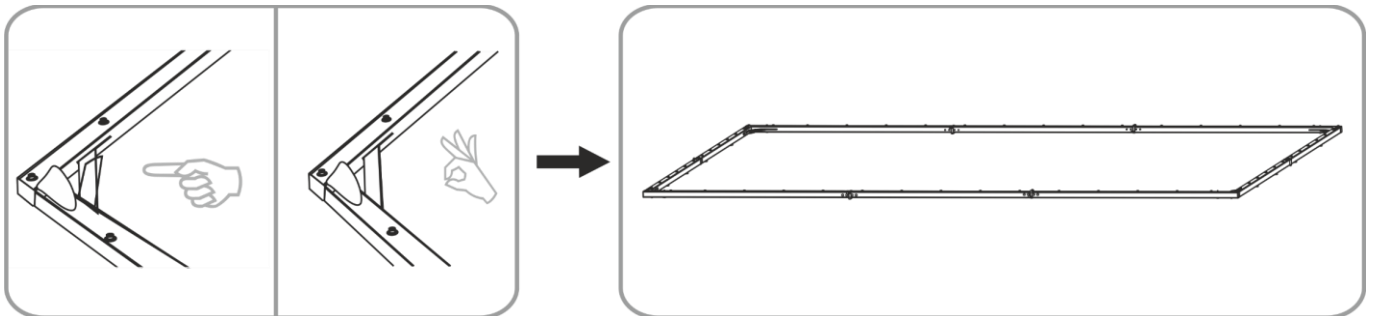
Fig. 05

04) Extend the vertical sides of the frame and click the hinges into position.



**Fig. 06**

05) Ensure that the corners are 90°. Stabilize them with the link rods.



**Fig. 07**



**Fabric Installation**

01) Unfold the screen fabric and place it on the frame.

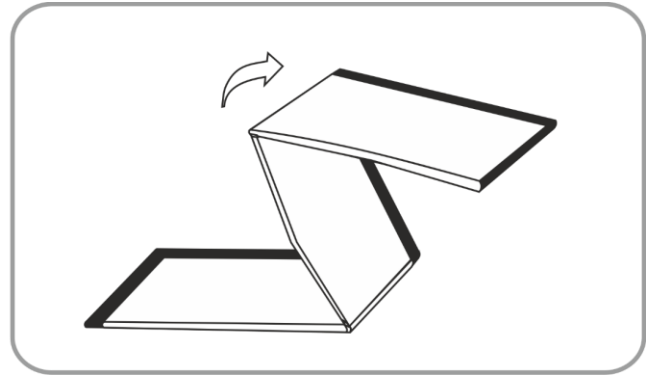
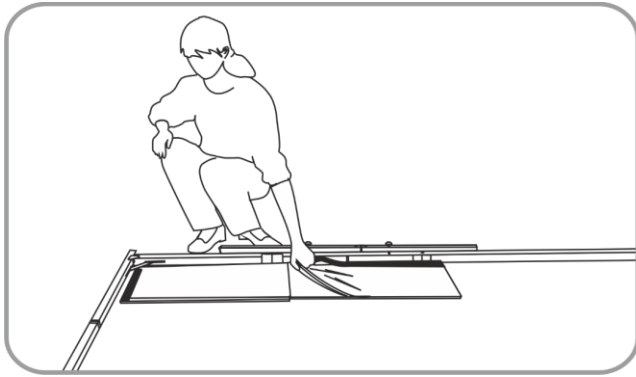


Fig. 08

02) Snap the screen buttons to the frame. Start with the frame corners and finish with the frame sides.

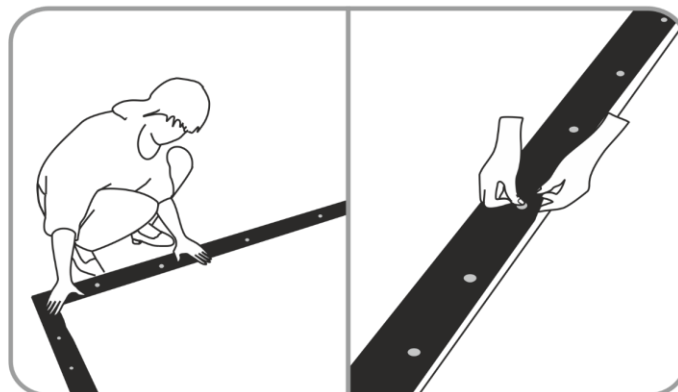
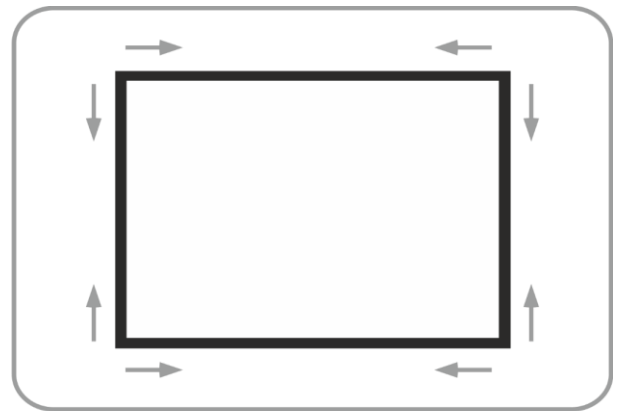
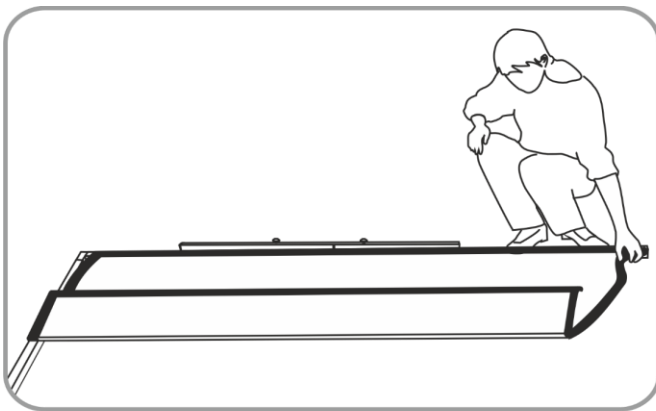


Fig. 09

## Leg Installation

01) Unpack left and right frame legs and extend them. Put all the joints in position and fully outspread the corner link rods.

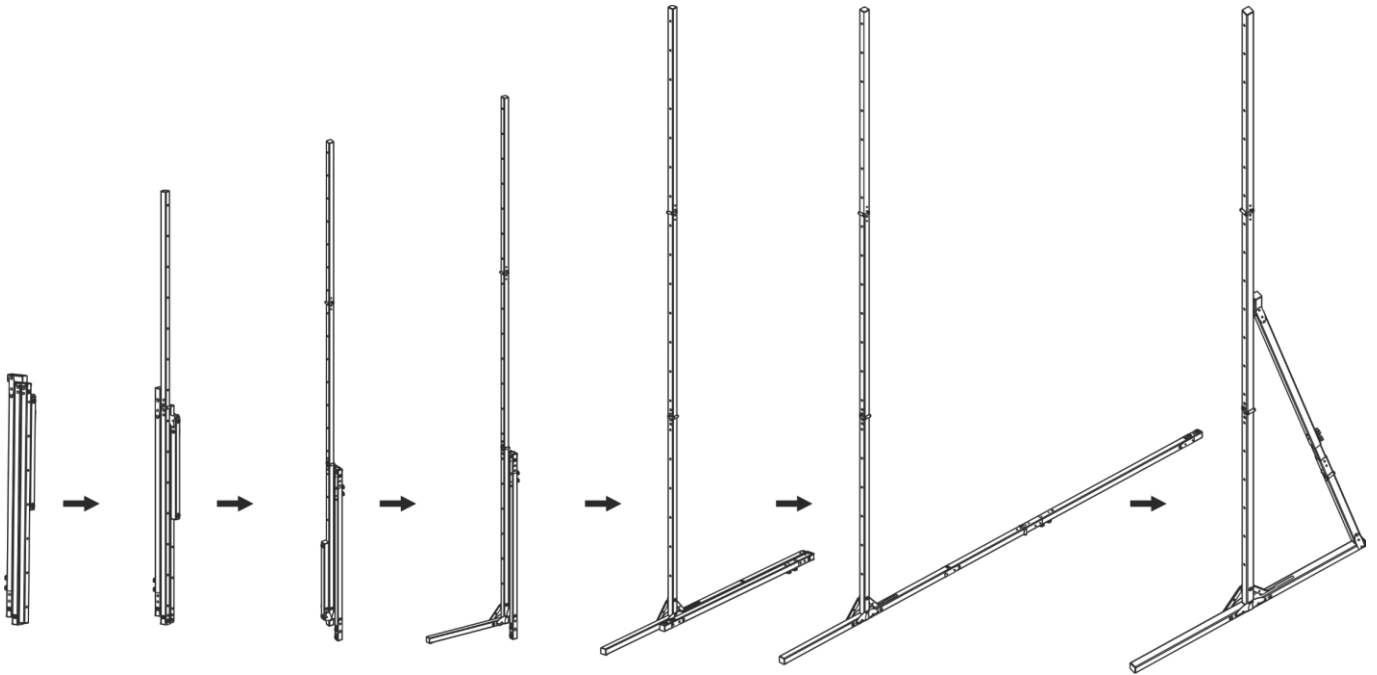


Fig. 10

02) It is recommended to install the main frame on a flat surface. Put the assembled legs beside the main frame's short side and fit them to the main frame's short side, in order to set the desired screen height (use the M8 x 53 mm screws).

NOTE: Leave one hole on the main frame for the fastening of the M8 x 90 mm screw. The empty hole choice depends on how high the screen should be fitted to the frame.

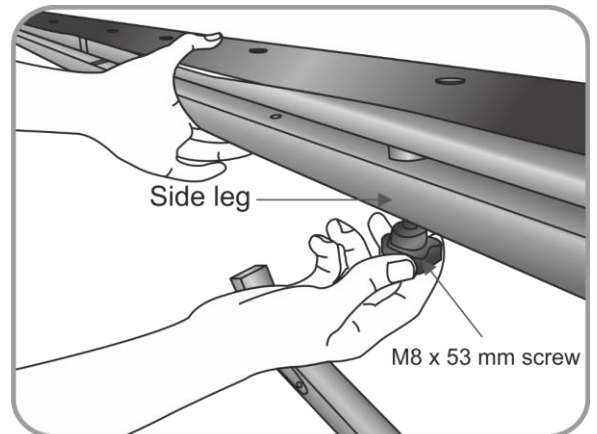
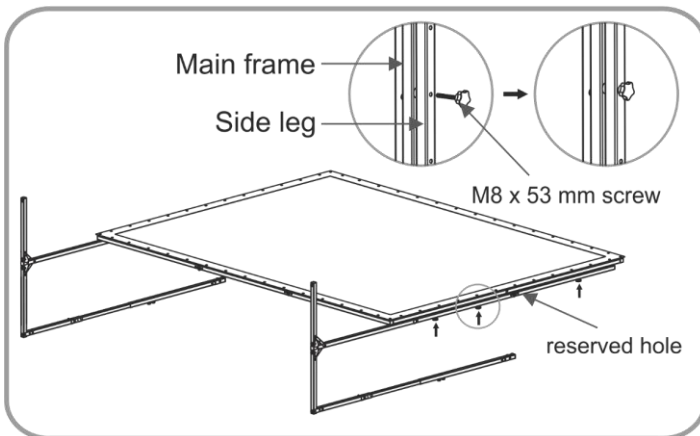


Fig. 11

- 03) Loosen the locknuts on the legs and pull out the tubes. Insert the M8 x 90 mm locknuts into the previously reserved empty holes and tighten them. By doing so, you will connect the leg tubes with the legs and the main frame.

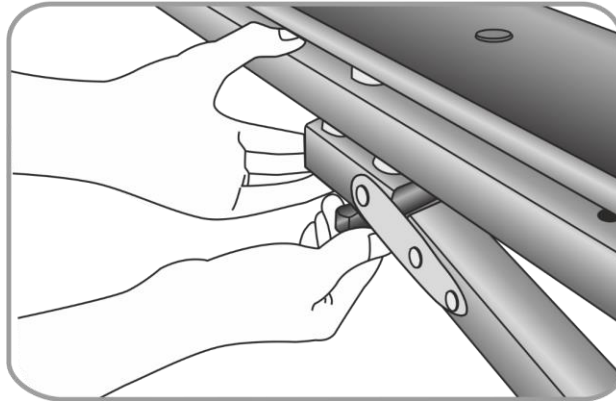
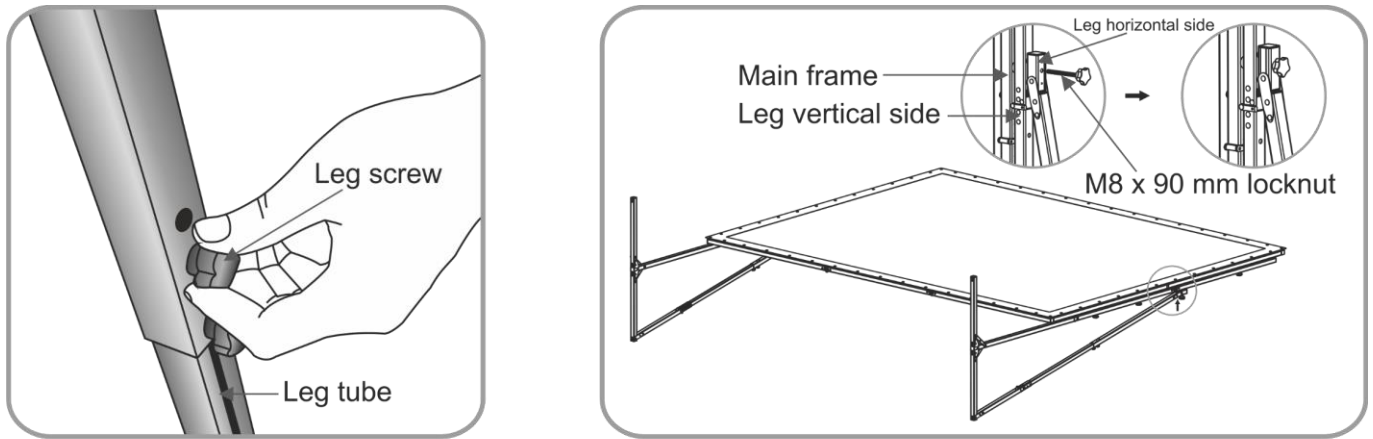


Fig. 12

- 04) Lift the screen up, in order to complete installation.

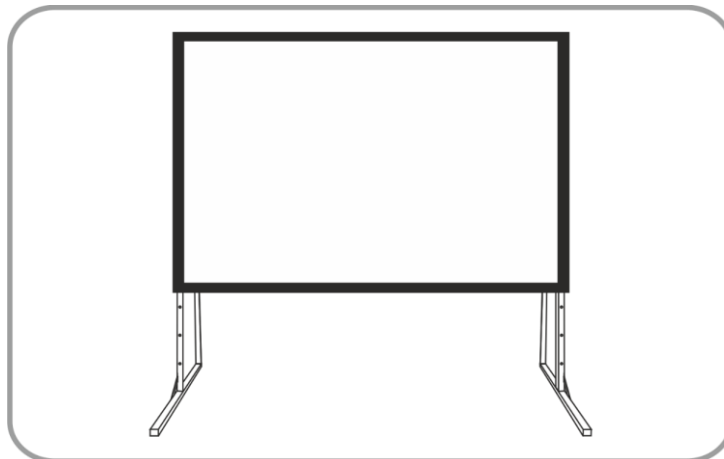


Fig. 13

## Disassembly

01) Place the screen on a flat surface, with the screen facing up.

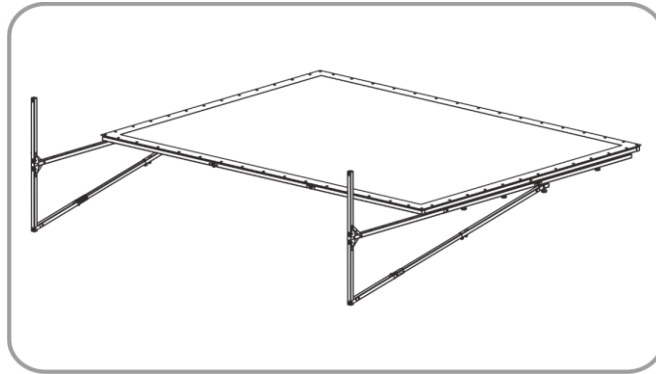


Fig. 14

02) Take the fabric off the frame, by releasing the buttons (Fig. 15). Clean the fabric, if necessary. Double up the fabric along the short sides (Fig. 16) and double it up again (Fig. 17). The 100" fabric should be doubled up 3 times, while the 120" and 150" fabrics – 4 times. Double it up again (Fig. 18). Leave the black border uncovered, to prevent scratches. Do not perform this step unassisted. 2 technicians are required.

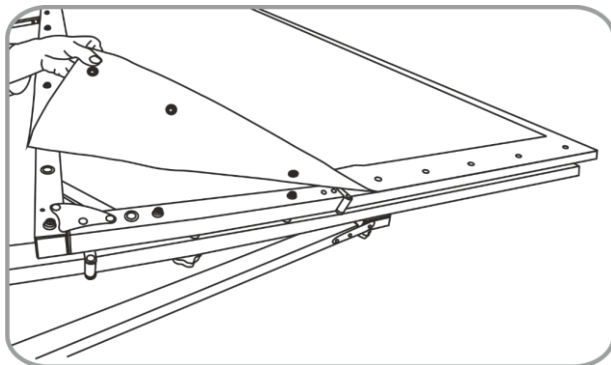


Fig. 15

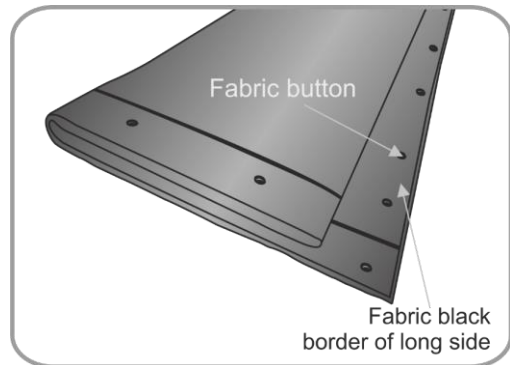


Fig. 16

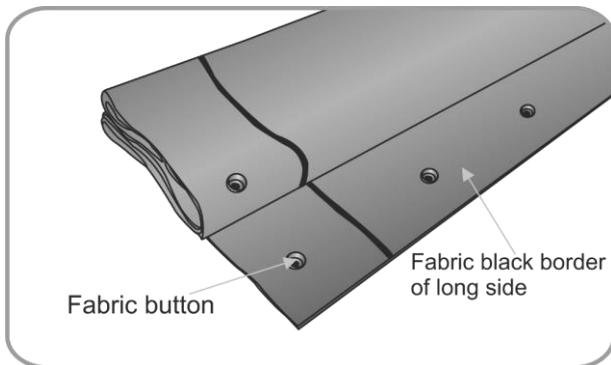


Fig. 17

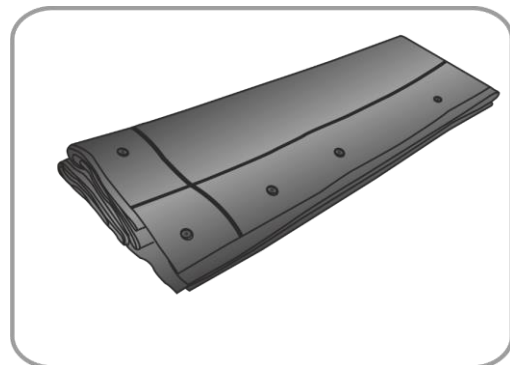


Fig. 18

03) Put the folded fabric into the fabric bag and fasten the zipper.

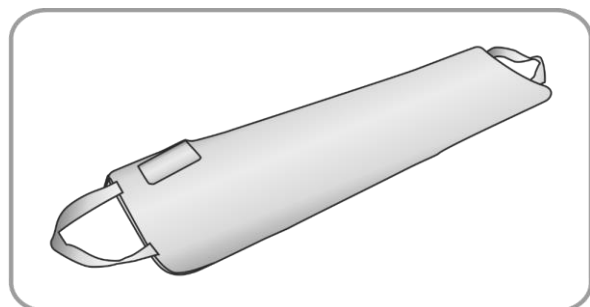
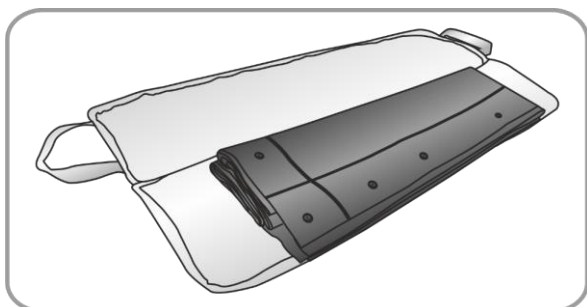


Fig. 19

04) Remove the locknuts on both legs and take off the legs (Fig. 20). Pull up the leg's corner link rod and remove the screws. Retract the leg tubes and fasten the screws again. Loosen the turning joint locks and fold the frame legs (Fig. 21, 22 and 23).

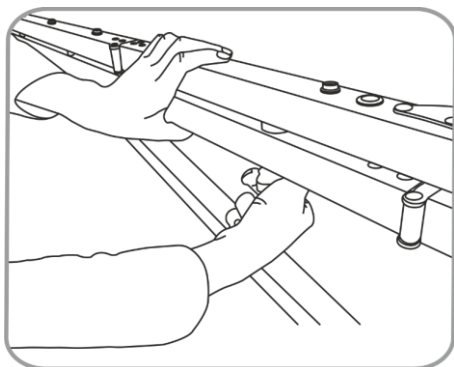


Fig. 20

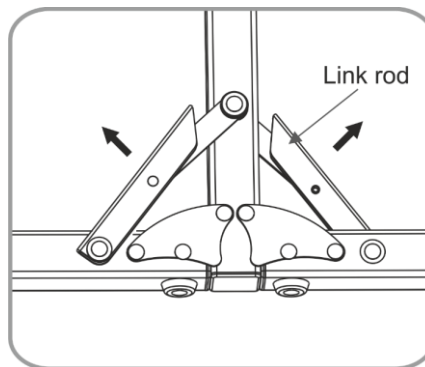


Fig. 21

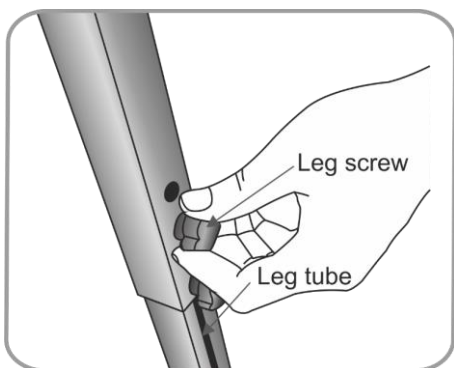


Fig. 22

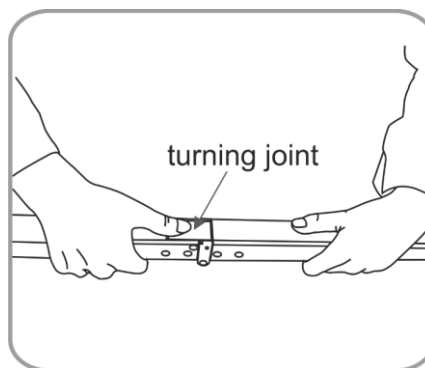


Fig. 23

05) Pull up the corner link rods on the main frame and unfasten the turning joints on the vertical side of the main frame.

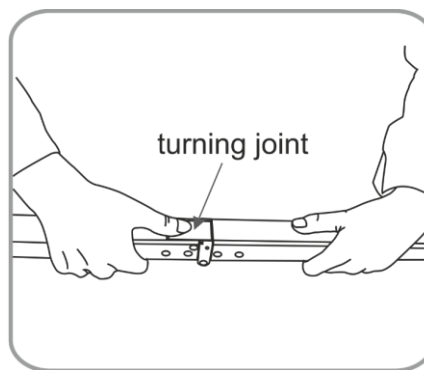
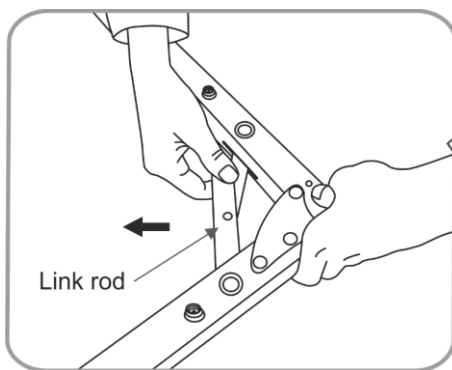


Fig. 24

06) Fold the main frame.

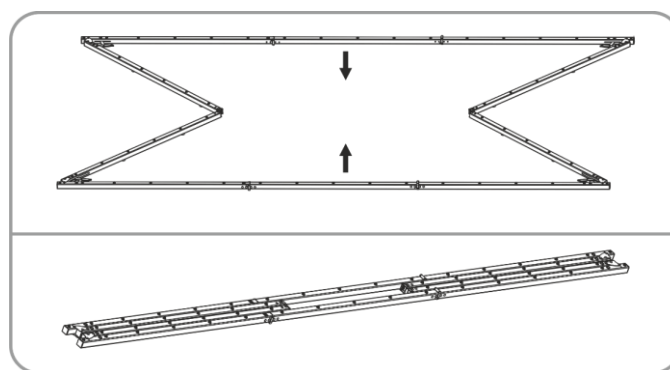


Fig. 25

07) Unfasten the horizontal sides of the main frame so that the frame is fully folded.

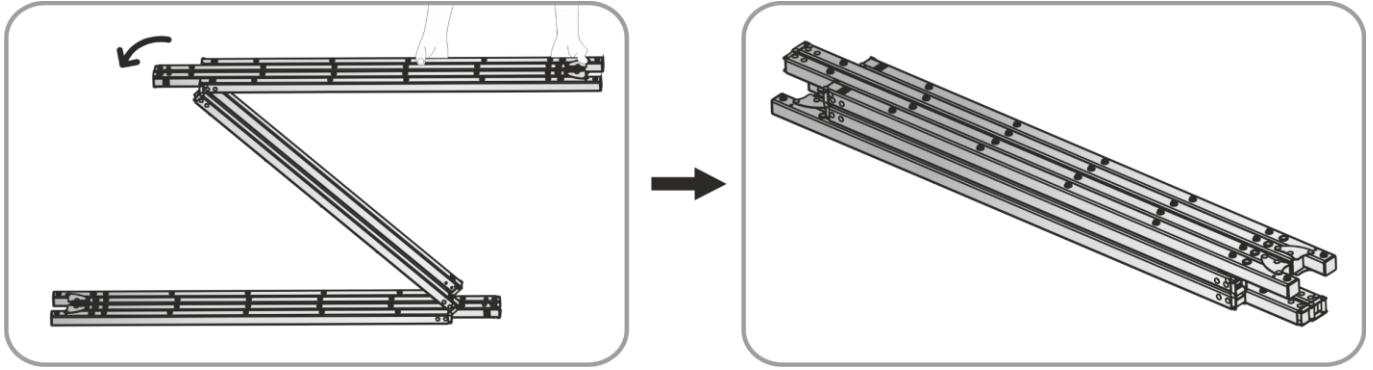


Fig. 26

08) Put the legs and the main frame in the flight case and fasten them (Fig. 27). Put the accessory bag inside. Insert the clapboard and put the fabric bags on it (Fig. 28).

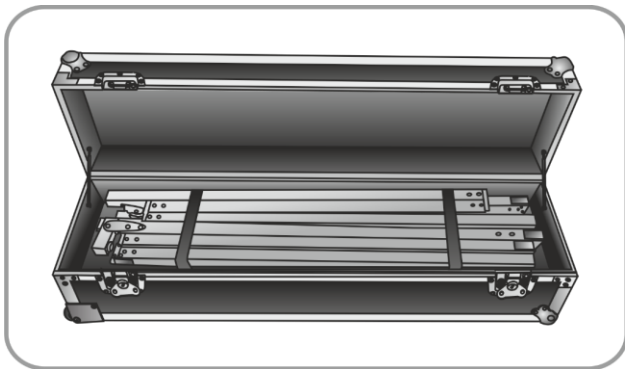


Fig. 27

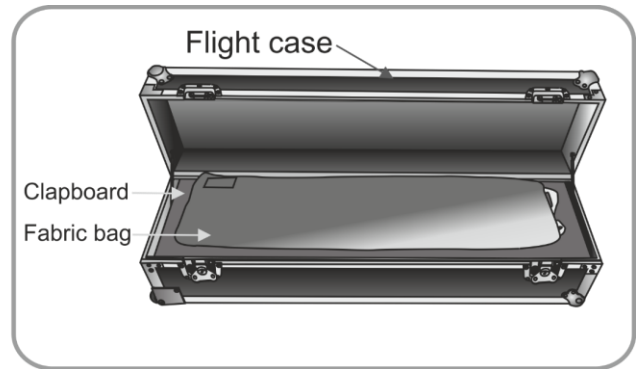


Fig. 28

09) Pull up the flight case corner link rod, close the flight case and fasten it.

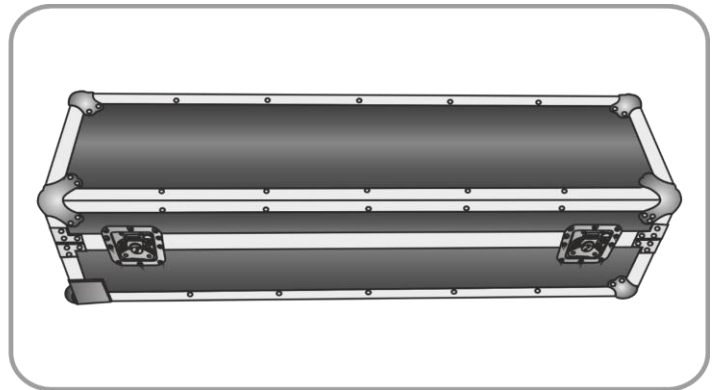
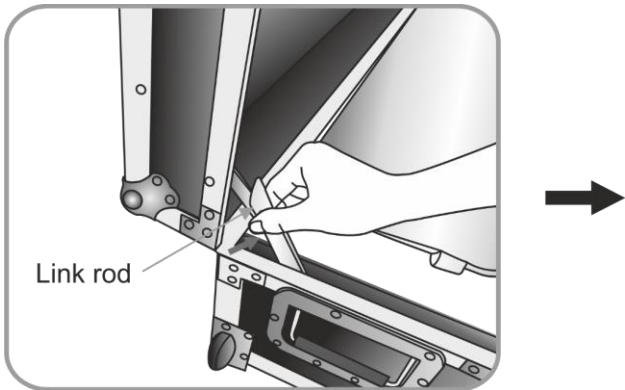


Fig. 29

## Maintenance

---

### Fabric Cleaning

Screen fabric: washable with soft cloth and lukewarm water.



Please do not use alcohol or other liquids to wash the screen, as this will degenerate the fabric.



### Precautions

- Only use the device in locations shielded from the elements, especially wind. Strong wind may cause the screen to fall.
- Do not touch the screen surface.
- Do not write or draw on the screen surface.
- Do not poke the screen fabric with fingers or tools.
- Do not scratch or fold up the screen fabric.
- After use, please roll the fabric back into the case. Before rolling up, please check again if there are no foreign objects on the screen surface.

## Product Specifications

---

### 100430

- Size: 100"
- Viewing area: 2015 x 1524 mm
- Maximum height: 2421 mm
- Minimum height: 2273 mm
- Gain (front view): 1.0
- Gain (rear view): 0.8
- Viewing angle (front view): 160°
- Viewing angle (rear view): 140°
- Dimensions (screen): 2170 x 845 x 2421 mm (LxWxH)
- Dimensions (flight case): 958 x 290 x 305 mm (LxWxH)
- Weight (screen): 17,8 kg
- Weight (flight case): 15,2 kg

### 100431

- Size: 120"
- Viewing area: 2438 x 1828 mm
- Maximum height: 3416 mm
- Minimum height: 2700 mm
- Gain (front view): 1.0
- Gain (rear view): 0.8
- Viewing angle (front view): 160°
- Viewing angle (rear view): 140°
- Dimensions (screen): 2618 x 1045 x 3416 mm (LxWxH)
- Dimensions (flight case): 1115 x 290 x 305 mm (LxWxH)
- Weight (screen): 21,6 kg
- Weight (flight case): 16,7 kg

### 100432

- Size: 150"
- Viewing area: 3048 x 2286 mm
- Maximum height: 4207 mm
- Minimum height: 3185 mm
- Gain (front view): 1.0
- Gain (rear view): 0.8
- Viewing angle (front view): 160°
- Viewing angle (rear view): 140°
- Dimensions (screen): 3248 x 1045 x 4207 mm (LxWxH)
- Dimensions (flight case): 1355 x 290 x 305 mm (LxWxH)
- Weight (screen): 26,4 kg
- Weight (flight case): 19,2 kg

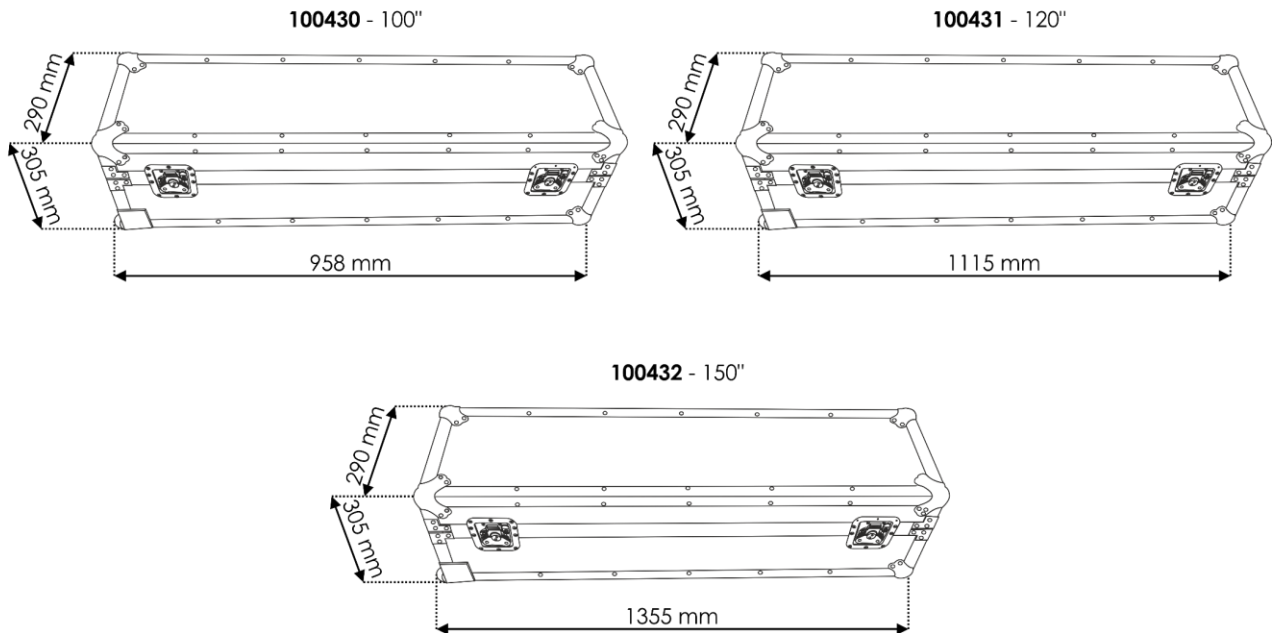
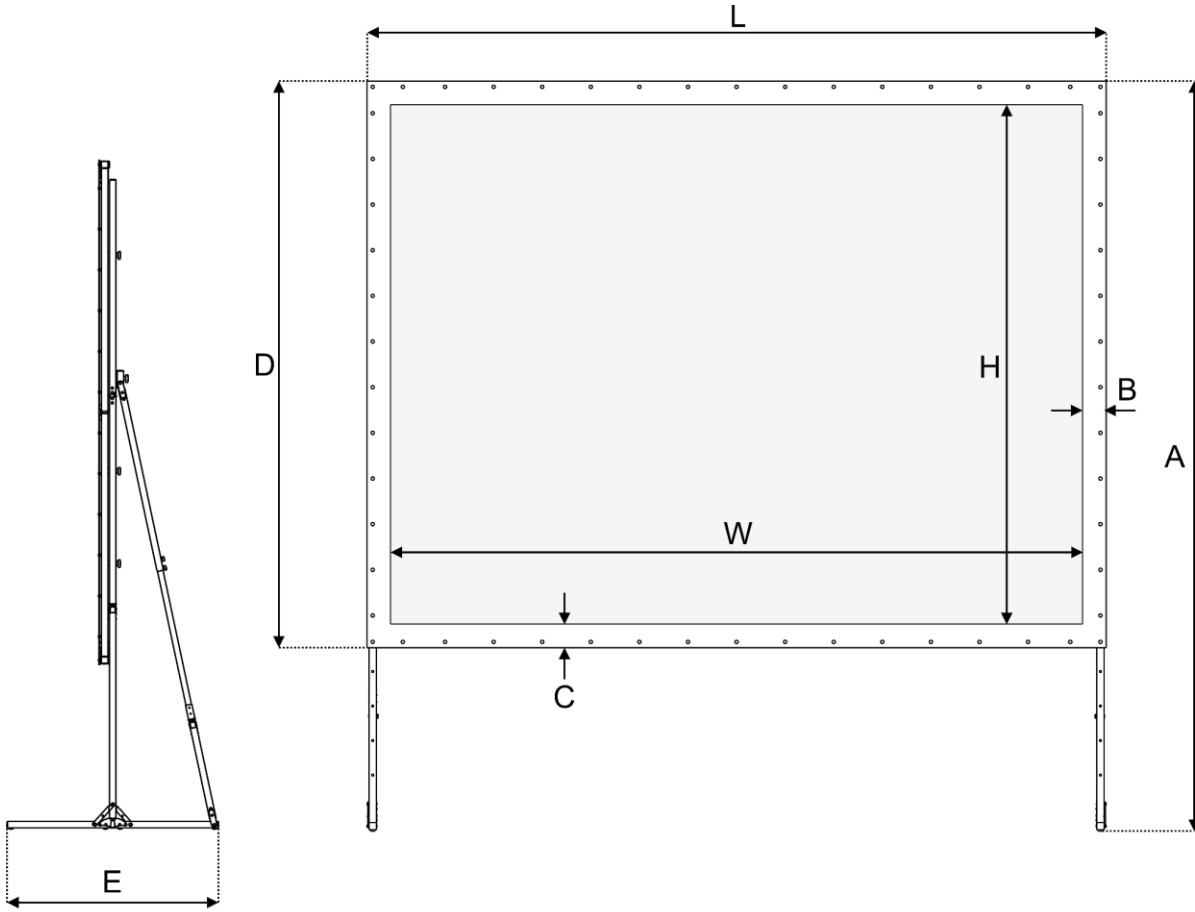
Design and product specifications are subject to change without prior notice.



Website: [www.DutchMediaTools.info](http://www.DutchMediaTools.info)  
Email: [service@highlite.nl](mailto:service@highlite.nl)

## Dimensions

| Format | Ordercode | Specification (Inches) | Viewing area |        | Screen dimensions |        |        | E (mm) | B (mm) | C (mm) | Net weight (kg) |
|--------|-----------|------------------------|--------------|--------|-------------------|--------|--------|--------|--------|--------|-----------------|
|        |           |                        | W (mm)       | H (mm) | L (mm)            | A (mm) | D (mm) |        |        |        |                 |
| 4:3    | 100430    | 100"                   | 2015         | 1524   | 2170              | 2273   | 1670   | 845    | 83     | 83     | 17,8            |
| 4:3    | 100431    | 120"                   | 2438         | 1828   | 2618              | 2700   | 2000   | 1045   | 87     | 87     | 21,6            |
| 4:3    | 100432    | 150"                   | 3048         | 2286   | 3248              | 3185   | 2495   | 1045   | 104    | 104    | 26,4            |













©2018 D.M.T.