

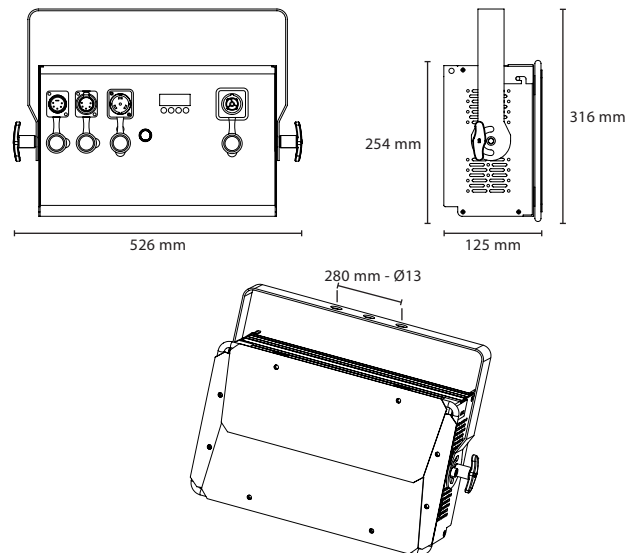


240x LED Cold White Light Studio Panel

The **B Panel240CW** is the most versatile powerful and ease of use cold white panel on the market. It's equipped with barndoors, removable frost and gel frame. It comes with manual dimming and DMX. Furthermore it has high CRI (96Ra), making this fixture ideal for theatre, photography and much more! ■

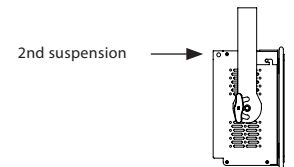
Physical

Dimensions (WxHxD)	526 x 316 x 125 mm
Packaging dimensions (WxHxD)	560 x 380 x 180 mm
Outer carton dimensions (2 pcs)	580 x 400 x 370 mm
Nett weight	8 kg
Gross weight (1 pc)	9 kg
Gross weight (2 pcs)	18,5 kg



Mounting options

Hanging	3x hole for M12 bolt
2nd suspension / safety wire	1x eye on the side top of the fixture to pass a safety wire or carabiner



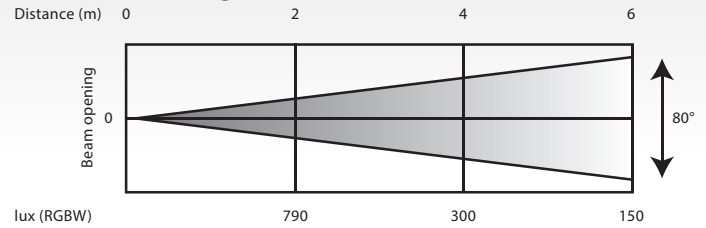
Control

Menu control via TFT display with 4 buttons	In/Link	XLR 5 Pin
Control	DMX512, manual dimming button	DMX mode
		1/2/3 channels

Optical

Beam angle	160°
Light output RGBW	790 lux @ 2m 300 lux @ 4m 150 lux @ 6m
Colours	White, 5000K
Strobe	0-20 Hz
CRI	95,8 RA
Refresh rate	<1.000 Hz

Photometrics Diagram

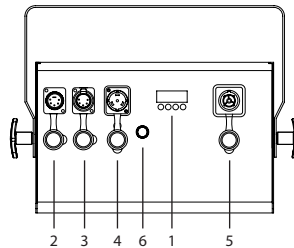


Electrical

Fixture rated power	120W	Input power	100 - 240V ~ 50/60Hz - Auto switching power supply
LED engine	240x White SMD LED	In/Link	PowerCON TRUE1 - max link current 10A

Connectivity

- 1 TFT display & menu control button
- 2 DMX input
- 3 DMX output
- 4 Power input
- 5 Power output
- 6 Manual dimming button



Accessories

- Included**
- 1x Powercable
 - 1x Gelframe
 - 1x Soft frost
 - 1x Intensifier
 - 1x Barndoors

Environmental

IP Rating	IP20
Cooling	Convectional, no fans
Max. housing temperature	50°