

**ENGLISH**

**Tree & Pole Bracket**

**V1**

**Product code: E748000**

### Preface

---

Thank you for purchasing this Showgear product.

The purpose of this user manual is to provide instructions for the correct and safe use of this product.

Keep the user manual for future reference as it is an integral part of the product. The user manual shall be stored at an easily accessible location.

This user manual contains information concerning:

- Safety instructions
- Installation and operation of the product
- Intended and non-intended use of the product
- Maintenance procedures
- Troubleshooting
- Transport, storage and disposal of the product

Non-observance of the instructions in this user manual may result in serious injuries and damage of property.

©2022 Showgear. All rights reserved.

No part of this document may be copied, published or otherwise reproduced without the prior written consent of Highlite International.

Design and product specifications are subject to change without prior notice.

For the latest version of this document or other language versions, please visit our website [www.highlite.com](http://www.highlite.com) or contact us at [service@highlite.com](mailto:service@highlite.com).

Highlite International and its authorized service providers are not liable for any injury, damage, direct or indirect loss, consequential or economic loss or any other loss arising from the use of, or inability to use or reliance on the information contained in this document.

## Table of contents

---

<b>1. Introduction</b> .....	<b>3</b>
1.1. Before Using the Product .....	3
1.2. Intended Use .....	3
1.3. Text Conventions .....	3
1.4. Symbols and Signal Words.....	4
<b>2. Safety</b> .....	<b>4</b>
2.1. Warnings and Safety Instructions .....	4
2.2. Requirements for the User.....	5
<b>3. Description of the Device</b> .....	<b>6</b>
3.1. Overview .....	6
3.2. Product Specifications .....	6
3.3. Accessories.....	7
3.4. Dimensions.....	7
<b>4. Installation</b> .....	<b>8</b>
4.1. Safety Instructions for Installation .....	8
4.2. Personal Protective Equipment .....	8
4.3. Maximum Load.....	8
4.4. Mounting of the Device .....	9
4.5. Mounting of External Devices .....	10
<b>5. Inspection and Maintenance</b> .....	<b>11</b>
5.1. Inspection .....	11
5.2. Corrective Maintenance .....	11
5.3. Basic Cleaning Instructions.....	11
<b>6. Deinstallation, Transportation and Storage</b> .....	<b>11</b>
6.1. Instructions for Deinstallation.....	11
6.1.1. Loosening of the Ratchet .....	12
6.2. Instructions for Transportation .....	12
6.3. Storage.....	12
<b>7. Disposal</b> .....	<b>12</b>

## 1. Introduction

### 1.1. Before Using the Product



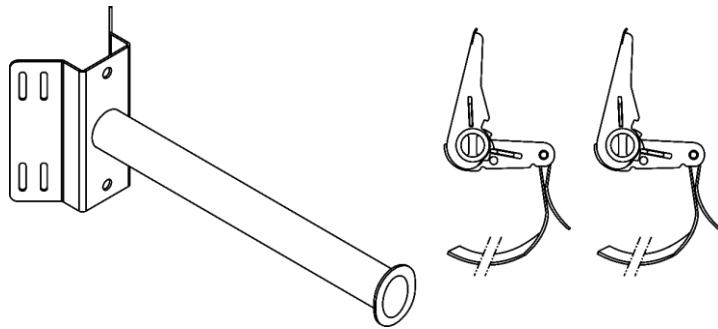
**Important**

**Read and follow the instructions in this user manual before installing, operating or servicing this product.**

The manufacturer will not accept liability for any resulting damages caused by the non-observance of this manual. After unpacking, check the contents of the box. If any parts are missing or damaged, contact your Highlife International dealer.

Your shipment includes:

- Showgear Tree & Pole Bracket
- 2 x endless ratchet strap (2 m)
- User manual



**Fig. 01**

### 1.2. Intended Use

This device is intended for professional use as a connection element in the entertainment technology. It shall be used on trees and upright structures, such as columns, pillars or poles (rounded and angular). Any other use, not mentioned under intended use, is regarded as non-intended and incorrect use.

### 1.3. Text Conventions

Throughout the user manual the following text conventions are used:

- References:       References to chapters and parts of the device are in bold lettering, for example: "Refer to **2. Safety**", "turn the **adjustment screw (02)**"
- 0–255:            Defines a range of values
- Notes:            **Note:** (in bold lettering) is followed by useful information or tips

## 1.4. Symbols and Signal Words

Safety notes and warnings are indicated throughout the user manual by safety signs. Always follow the instructions provided in this user manual.

**DANGER**

Indicates an imminently hazardous situation which, if not avoided, will result in death or serious injury.

**WARNING**

Indicates a potentially hazardous situation which, if not avoided, could result in death or serious injury.

**CAUTION**

Indicates a potentially hazardous situation, which, if not avoided, may result in minor or moderate injury.

**Attention**

Indicates important information for the correct operation and use of the product.

**Important**

Read and observe the instructions in this document.

## 2. Safety

**Important**

**Read and follow the instructions in this user manual before installing, using or servicing this product.**

The manufacturer will not accept liability for any resulting damages caused by the non-observance of this manual.

### 2.1. Warnings and Safety Instructions

**WARNING**

**Incorrect installation can cause serious injuries and damage of property.**

This product may be installed only by instructed or skilled persons.

- Do not exceed the maximum load as indicated on the device and in this user manual.
- When the device is used together with other accessories, make sure that the maximum load of each component is not exceeded.

**WARNING**

**Do not use the device if it is damaged.**

Do not use the device if the device or parts thereof show signs of damage and wear. Before and after every use, examine the device visually for any defects. If any fault is found, mark the device clearly and remove it from service.

- Examine the device for damage, cracks, and corrosion.
- Examine the welds for signs of corrosion, and cracks.

The device is supplied with 2 endless ratchet straps.

- Examine the endless ratchet straps for signs of wear. Do not use the endless ratchet straps if there are tears, cuts, nicks and breaks in the webbing and the retaining stitches.
- Examine the ratchet for deformations, splits, signs of wear, and signs of corrosion.



**Attention**  
**Correct use of the endless ratchet straps**

- Do not use the endless ratchet straps for lifting, suspending or towing.
- Do not use the endless ratchet straps if knotted.
- Never join a cut endless ratchet strap by knotting.
- Never knot endless ratchet straps together.
- Only use endless ratchet straps with a legible label.



**Attention**  
**For professional use only**  
**This device shall be used only for the purposes it is designed for.**

This device is intended for professional use as a connection element in the entertainment technology. It shall be used only on trees and upright structures, such as columns, pillars or poles (rounded and angular). Any incorrect use may lead to hazardous situations and result in injuries and material damage.

- Do not use the device on upright structures different from those indicated in this user manual.
- Do not modify the device. Unauthorized modifications to the device will render the warranty void. Such modifications may result in injuries and material damage.
- Use the device only in environments with an ambient temperature between -20 °C and 60 °C.

## 2.2. Requirements for the User



**DANGER**  
**This product may not be used by ordinary persons.**

This product may be used only by instructed or skilled persons. Installation and maintenance may be carried out by instructed or skilled persons. Service shall be carried out only by skilled persons. Contact your Highlite International dealer for more information.

Instructed persons have been instructed and trained by a skilled person, or are supervised by a skilled person, for specific tasks and work activities associated with the installation, service and maintenance of this product, so that they can identify risks and take precautions to avoid them.

Skilled persons have training or experience, which enables them to recognize risks and to avoid hazards associated with the installation, service and maintenance of this product.

Ordinary persons are all persons other than instructed persons and skilled persons. Ordinary persons include not only users of the product but also any other persons that may have access to the device or who may be in the vicinity of the device.

### 3. Description of the Device

With the Tree & Pole Bracket you can mount external devices ( $\leq 50$  kg) on trees and upright structures, such as columns, pillars or poles (rounded and angular). The product can be mounted with 2 endless ratchet straps.

#### 3.1. Overview

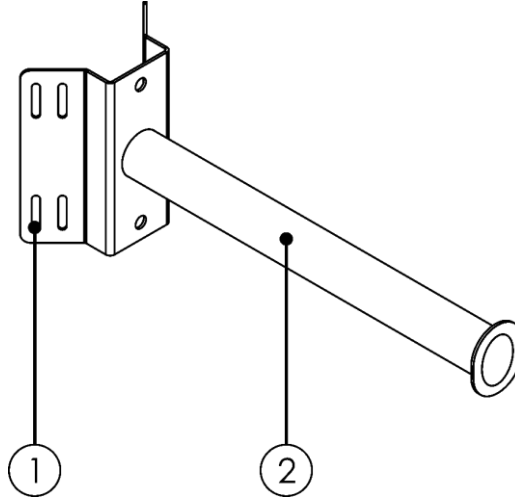


Fig. 02

- 01) 8 x strap mounting holes
- 02) Mounting tube

#### 3.2. Product Specifications

Model:	Tree & Pole Bracket
<b>Physical:</b>	
Dimensions (bracket):	555 x 165 x 200 mm (LxWxH)
Dimensions (endless ratchet straps):	2000 x 200 mm (LxW)
Weight (bracket):	2,35 kg
Weight (endless ratchet straps):	2 x 0,24 kg
<b>Mechanical:</b>	
Tube diameter:	Ø 50 mm
Maximum load:	50 kg
<b>Construction:</b>	
Material:	Metal
Tensile strength:	250–500 daN
Color:	Black
<b>Lashing:</b>	
Type:	Endless ratchet strap
Lashing capacity (LC):	800 daN
Standard hand force ( $S_{HF}$ ):	50 daN
Standard tension force ( $S_{TF}$ ):	35 daN
Webbing material:	PES (polyester)
Endless ratchet strap length:	2 m
Max. elongation:	<5 %
<b>Thermal:</b>	
Ambient temperature $t_a$ :	From -20 °C to 60 °C

### 3.3. Accessories



**Attention**  
The device is designed to be used with the endless ratchet straps.

The device is delivered with 2 endless ratchet straps.

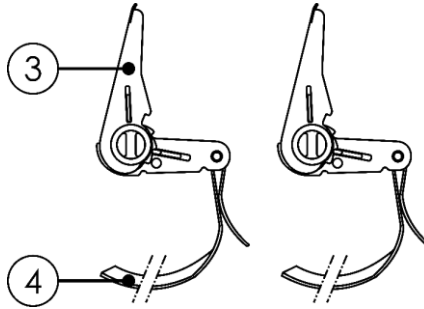


Fig. 03

- 03) Ratchet
- 04) Endless ratchet strap

**Note:**

It is possible to use other endless ratchet straps than the supplied ones. Make sure that you use endless ratchet straps:

- that have LC (lashing capacity) equal or higher to the LC of the supplied endless ratchet straps.
- that are made of the same material as the supplied endless ratchet straps.

### 3.4. Dimensions

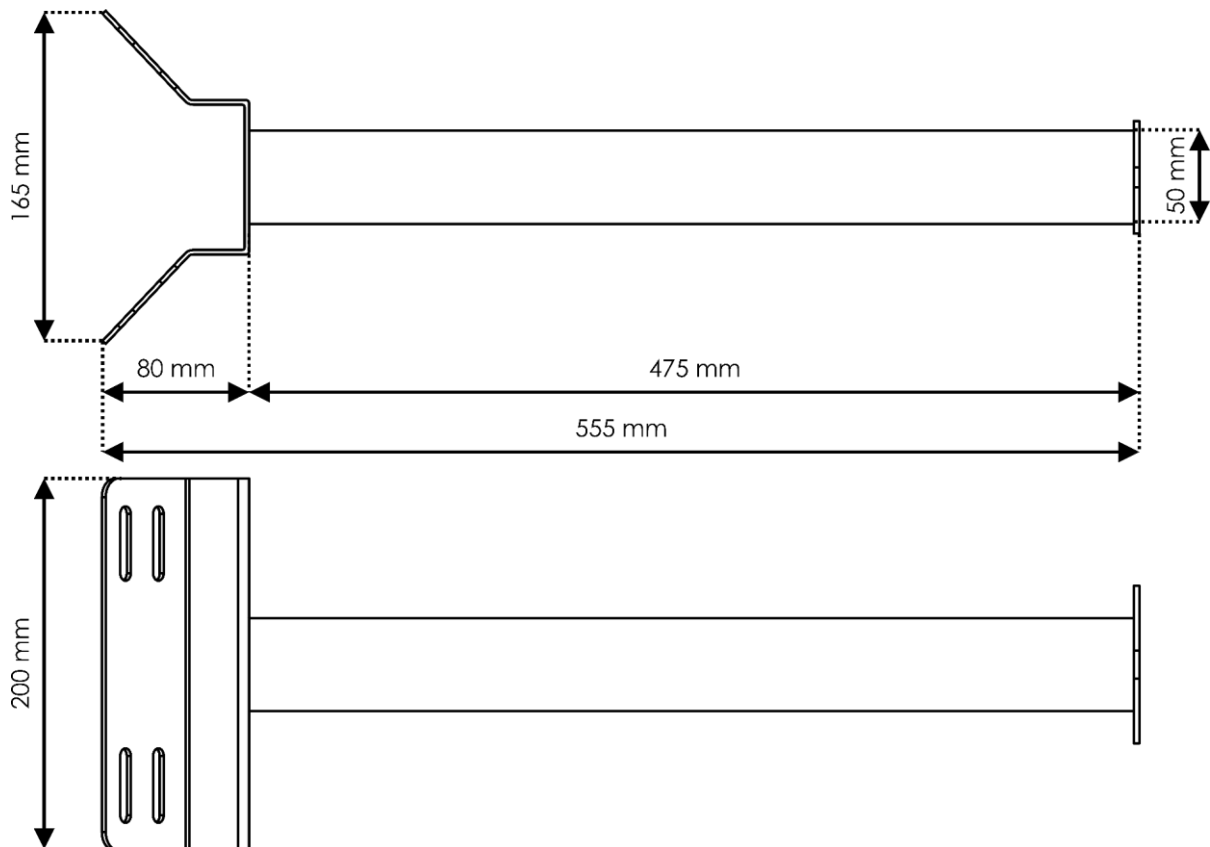


Fig. 04



## 4. Installation

---

### 4.1. Safety Instructions for Installation



**WARNING**

**Incorrect installation can cause serious injuries and damage of property.**

Installation must be carried out only by instructed or skilled persons.

Minimum two persons are necessary to install the device.

### 4.2. Personal Protective Equipment

During installation and rigging wear personal protective equipment in compliance with the national and site-specific regulations.

### 4.3. Maximum Load



**WARNING**

**Do not exceed the maximum load of the device.**

The maximum load of the device is  $\leq 50$  kg. Do not mount external devices to the Tree & Pole Bracket that exceed the maximum load of the Tree & Pole Bracket.

Make sure that the tree or the upright structure can hold the combined weight of all mounted devices and accessories. In the calculations consider any dynamic forces, if applicable.

#### 4.4. Mounting of the Device



**CAUTION**  
Restrict the access under the work area during installation.

To mount the Tree & Pole Bracket, follow the steps below:

- 01) Thread both **endless ratchet straps (04)** on the Tree & Pole Bracket (Fig. 05). Make sure that the **endless ratchet straps (04)** are not twisted.
- 02) Put the Tree & Pole Bracket against a tree or an upright structure (Fig. 06).

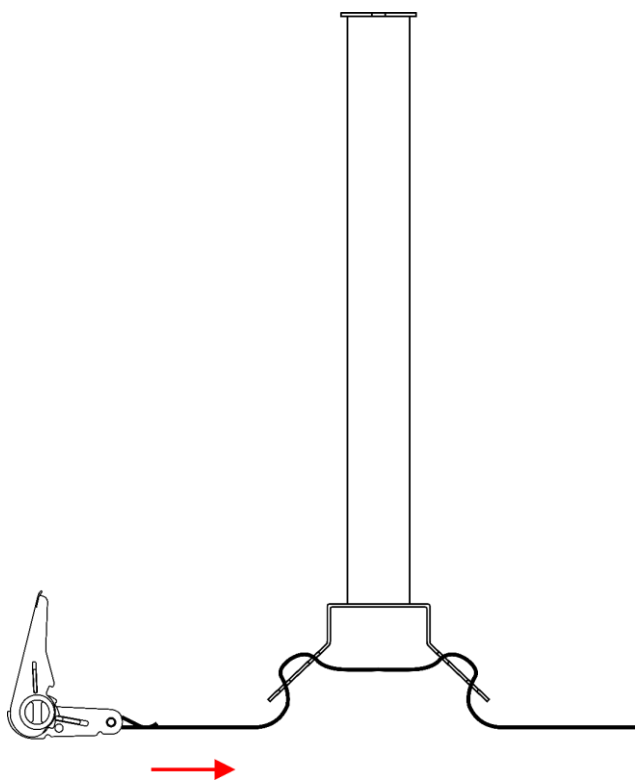


Fig. 05

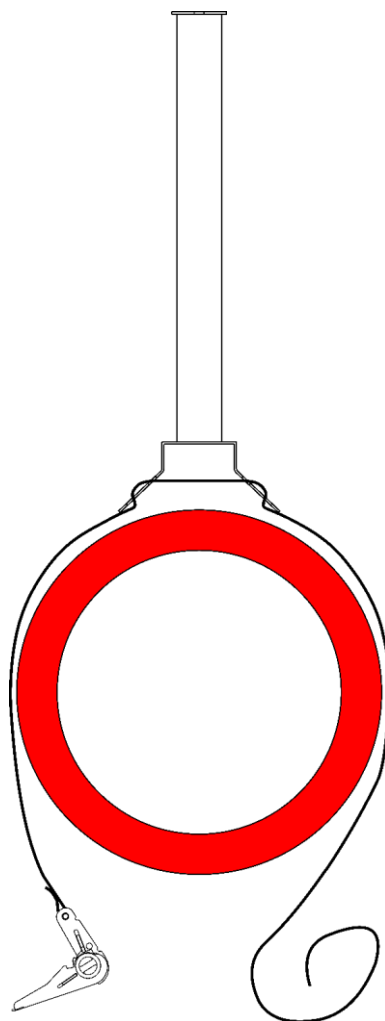


Fig. 06

- 03) Thread the **ratchets (03)** (Fig. 07).

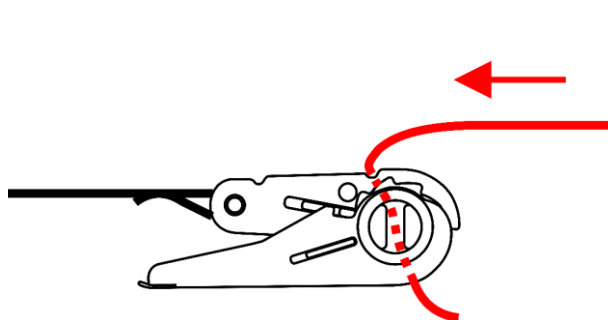


Fig. 07

- 04) Repeatedly open and close the **ratchets (03)** to tighten the **endless ratchet straps (04)** around the tree or the upright structure (Fig. 08). Make sure that the endless ratchet straps are not overloaded.

**Notes:**

- Minimum two persons are necessary to install the device. When tightening the **endless ratchet straps (04)**, make sure that the metal bracket remains in position, against the tree or the upright structure.
- Only the maximum hand force of 500 N (50 daN on the label, 1 daN = 1 kg) shall be applied. Mechanical aids such as levers, bars etc. as extensions are not to be used unless they are part of the tensioning device.

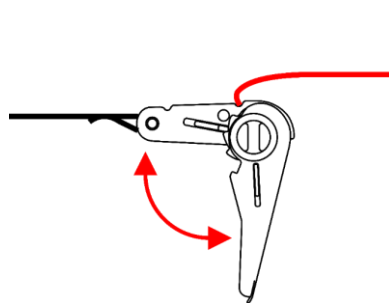


Fig. 08

- 05) Mount an external device on the Tree & Pole Bracket. See **4.5. Mounting of External Devices** on page 10 for more information.

### 4.5. Mounting of External Devices

An external device (e.g. a luminaire, ≤ 50 kg) can be mounted on the Tree & Pole Bracket with a clamp. See **4.3. Maximum Load** on page 8 for more information.



**CAUTION**

**Restrict the access under the work area during rigging and/or derigging.**

To mount an external device on the Tree & Pole Bracket, follow the steps below:

- 01) Use a clamp to attach the external device to the **mounting tube (02)**, as shown in Fig. 09. Make sure that the external device cannot move freely.
- 02) Secure the external device with a secondary suspension, for example a safety cable. Make sure that the secondary suspension can hold 10 times the weight of the external device.

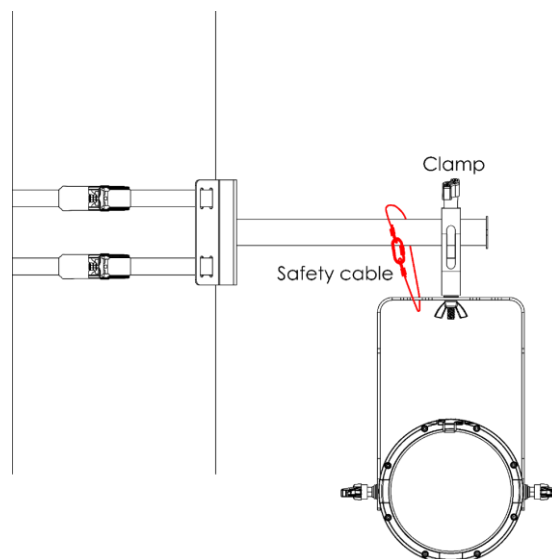


Fig. 09

## 5. Inspection and Maintenance



**Attention**

**Inspection and maintenance may be carried out only by instructed or skilled persons. Service shall be carried out only by skilled persons.**

### 5.1. Inspection



**Attention**

**Inspect the device visually for any defects.**

Before and after every use, examine the device visually for any defects. During use, inspect the device at regular intervals according to the inspection schedule established for the site.

If any fault is found, mark the device clearly and remove it from service.

- Examine the device for damage, cracks and corrosion.
- Examine the welds for signs of corrosion and cracks.

The device is supplied with 2 endless ratchet straps.

- Examine the endless ratchet straps for signs of wear. Do not use the endless ratchet straps if there are tears, cuts, nicks and breaks in the webbing and the retaining stitches.
- Examine the ratchet for deformations, splits, signs of wear, and signs of corrosion.

### 5.2. Corrective Maintenance

- Do not modify the device.
- Refer repairs and servicing to skilled persons. Contact your Highlite International dealer for more information.

### 5.3. Basic Cleaning Instructions

- Use a damp cloth to clean the device.
- Do not use alcohol, solvents or abrasive agents.
- Wash the endless ratchet straps in water and hang them to dry at a well ventilated place.

## 6. Deinstallation, Transportation and Storage

### 6.1. Instructions for Deinstallation



**WARNING**

**Incorrect deinstallation can cause serious injuries and damage of property.**

- Restrict the access under the working area during deinstallation.
- Always observe the national and site-specific regulations during deinstallation of the device.
- Wear personal protective equipment in compliance with the national and site-specific regulations.

01) Deinstall the external device.

02) Loosen both **ratchets (03)**. See **6.1.1. Loosening of the Ratchet** on page 12 for more information.

03) Deinstall the Tree & Pole Bracket and remove the **endless ratchet straps (04)**.

### 6.1.1. Loosening of the Ratchet

To loosen the **ratchet (03)**, follow the steps below:

- 01) Slightly open the **ratchet (03)**.
- 02) Pull on the spring-loaded clip and fully open the **ratchet (03)** (Fig. 10).

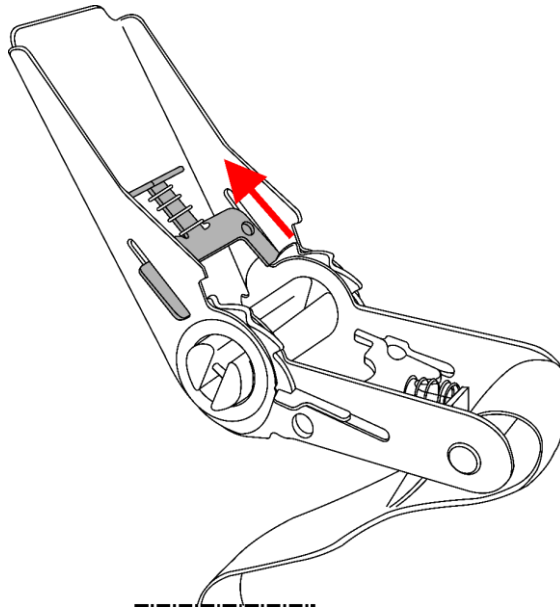


Fig. 10

### 6.2. Instructions for Transportation

Make sure that appropriate measures are taken to prevent damage to the device during transportation.

### 6.3. Storage

- Inspect the device for defects before storing. See **5.1. Inspection** on page 11 for more information.
- Clean the device before storing. Follow the cleaning instructions in chapter **5.3. Basic Cleaning Instructions** on page 11.
- Store the device in a dry, ventilated environment to avoid corrosion.

## 7. Disposal

---

After the device is removed from service it can be disposed of as scrap.





---

**SHOW  
GEAR**

©2022 Showgear