

Architectural Series

100W Fresnel, Pc

(ver. 2020/06)



SOURCE

- 100W LED COB
- Source life expectancy: > 50.000 h

COLOUR RENDERING

	CRI	TLCI	TM-30
WW/CW/NW	>97	97	94

LUMINOUS FLUX

	FN	PC
WW	4'893 lm	3'611 lm
CW	5'316 lm	4'905 lm
NW	5'049 lm	4'659 lm

CONTROL

- Protocols: DMX512, RDM (DALI optional)
- Local potentiometer
- Reversible graphics display with standby-shutdown function

	DMX Channels
WW/NW/CW	1 / 2 / 3 ch

OPTICS

- 120mm High-quality glass lens optics
- Focus: manual

	FN	PC
WW/NW/CW	12°-75°	15°-75°

HOUSING

- Highly resistant body in extruded aluminum
- Finishing: Black
- IP 20

CONNECTION

- Power connector: Chassis PowerCON In/Out
- Additional cable: 2m H05RN-F cable with powerCON female cable connector
- DMX: XLR 5-pole In/Out panel connectors

COMPLIANCE

- CE
- EN 60598-1; EN 60598-2-17
- SSL Licensing Program
- Manufactured in Italy with Quality System ISO 9001:2015

SOFTWARE FUNCTIONS

- ESD: 8 or 16bit extra soft dimming
- 2 selectable dimmer curves
- Adjustable delay in turning on and off
- PWM LED 500Hz-25KHz
- Led boost
- Storage and factory recovery
- Upgradable Firmware via DMX/USB tool

THERMAL MANAGEMENT

- Wide ventilation slots for better LED cooling with selectable fan speed in: "standard", "silent" and "auto" or DMX regulated
- High efficiency heat pipe cooling system
- No heat load from LED engine towards electronic and vice-versa avoiding the risk of failure due to overheating
- Ta max 40°C

PRESETS

ELECTRICAL

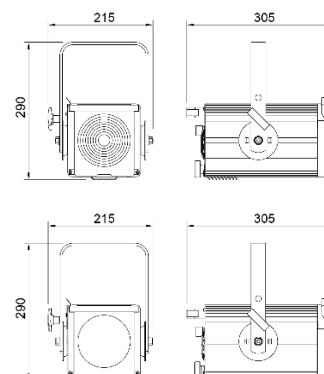
- Power supply: 100-240 V – 50/60 Hz
- Power consumption: 100 W
- PF>0.94/230VAC PF>0.98/115VAC at full load

OPTIONS

- Pole Operated Yokes
- ARC Motorized Yokes DMX 512

DIMENSIONS

FN	3.5 Kg	290*215*305 mm
PC	3.0 Kg	290*215*305 mm



Architectural Series

100W Fresnel, Pc

(ver. 2020/06)



4 m	6 m	8 m	10 m	12 m
-----	-----	-----	------	------

Model	Color	Temp	Beam	4 m		6 m		8 m		10 m		12 m		Temp
				Beam	Footcandle	Beam	Footcandle	Beam	Footcandle	Beam	Footcandle	Beam	Footcandle	
FN LED C100	WW	3000K	12°	1149	0,8	510	1,3	287	1,7	184	2,1	128	2,5	3000K
			75°	306	6,1	136	9,1	77	12,2	49	15,2	34	18,2	
	NW	4000K	12°	1159	0,8	515	1,3	290	1,7	185	2,1	129	2,5	4000K
			75°	316	6,1	140	9,1	79	12,2	51	15,2	35	18,2	
	CW	5600K	12°	1220	0,8	542	1,3	305	1,7	195	2,1	136	2,5	5600K
			75°	333	6,1	148	9,1	83	12,2	53	15,2	37	18,2	
PC LED C100	WW	3000K	15°	1081	1,0	481	1,6	270	2,1	173	2,6	120	3,1	3000K
			75°	276	6,1	123	9,1	69	12,2	44	15,2	31	18,2	
	NW	4000K	15°	1106	1,0	492	1,6	277	2,1	177	2,6	123	3,1	4000K
			75°	299	6,1	133	9,1	75	12,2	48	15,2	33	18,2	
	CW	5600K	15°	1165	1,0	518	1,6	291	2,1	186	2,6	129	3,1	5600K
			75°	313	6,1	139	9,1	78	12,2	50	15,2	35	18,2	