

MAINS INPUT
 MAINS SUPPLY CONNECTED TO PHASE 1 INDICATOR NEON
 1A 5X20MM FUSE IN HOLDER ON FP

ELECTRONICS MAINS ON/OFF SWITCH

MAINS SUPPRESSION

2 X 17V5 TRANSFORMER ON TRAY

BRIDGE RECTIFIER

-9V4 RAIL GENERATOR

7-25V RAIL RES. CAPACITOR

VOLTAGE DOUBLER CONTROL CIRCUIT

PK - PK RECTIFIER THYRISTOR FOR 120VAC

V+/I_S RES. CAP
 +5V REGULATOR

10V6 RAIL

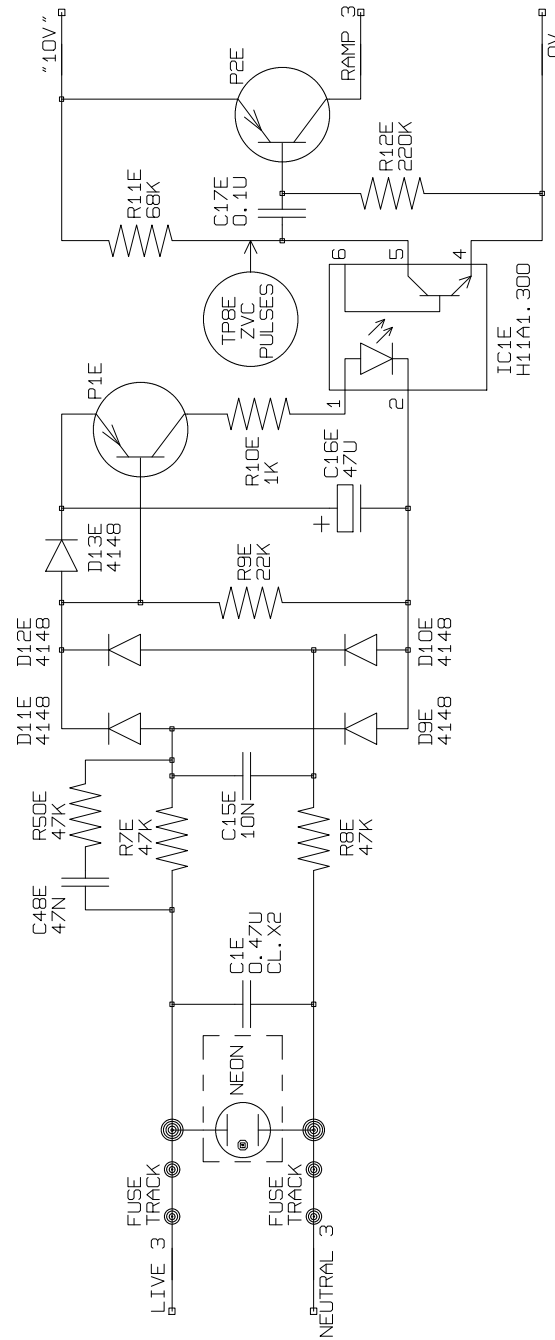
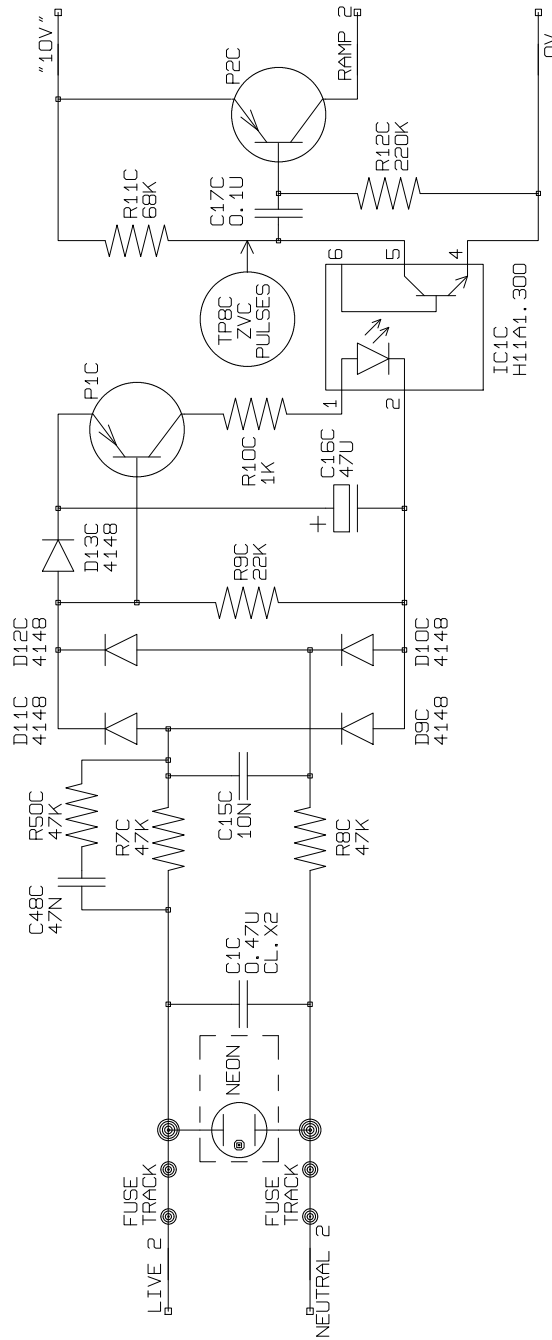
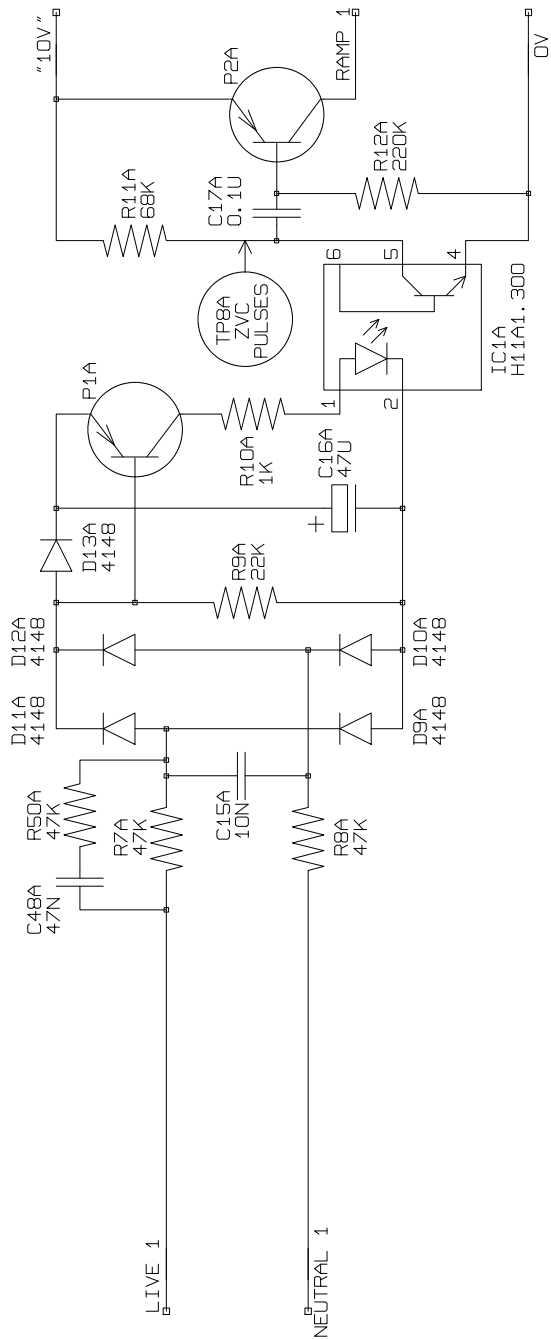
NTC THERMISTOR PHILIPS 2322 640 63473

FAN CONTROL CIRCUIT

HYSTERESIS RESISTOR

SOFT START "10V" RAIL

TP6 -9V4



RAMP RESET/SYNC TRANSISTOR

IMPORTANT
THE H11A1.300 OPTO-COUPPLERS ARE SAFETY CRITICAL COMPONENTS AND MUST BE REPLACED WITH PULSAR PART NO. 3070 OR
VDE 0884 APPROVED PART

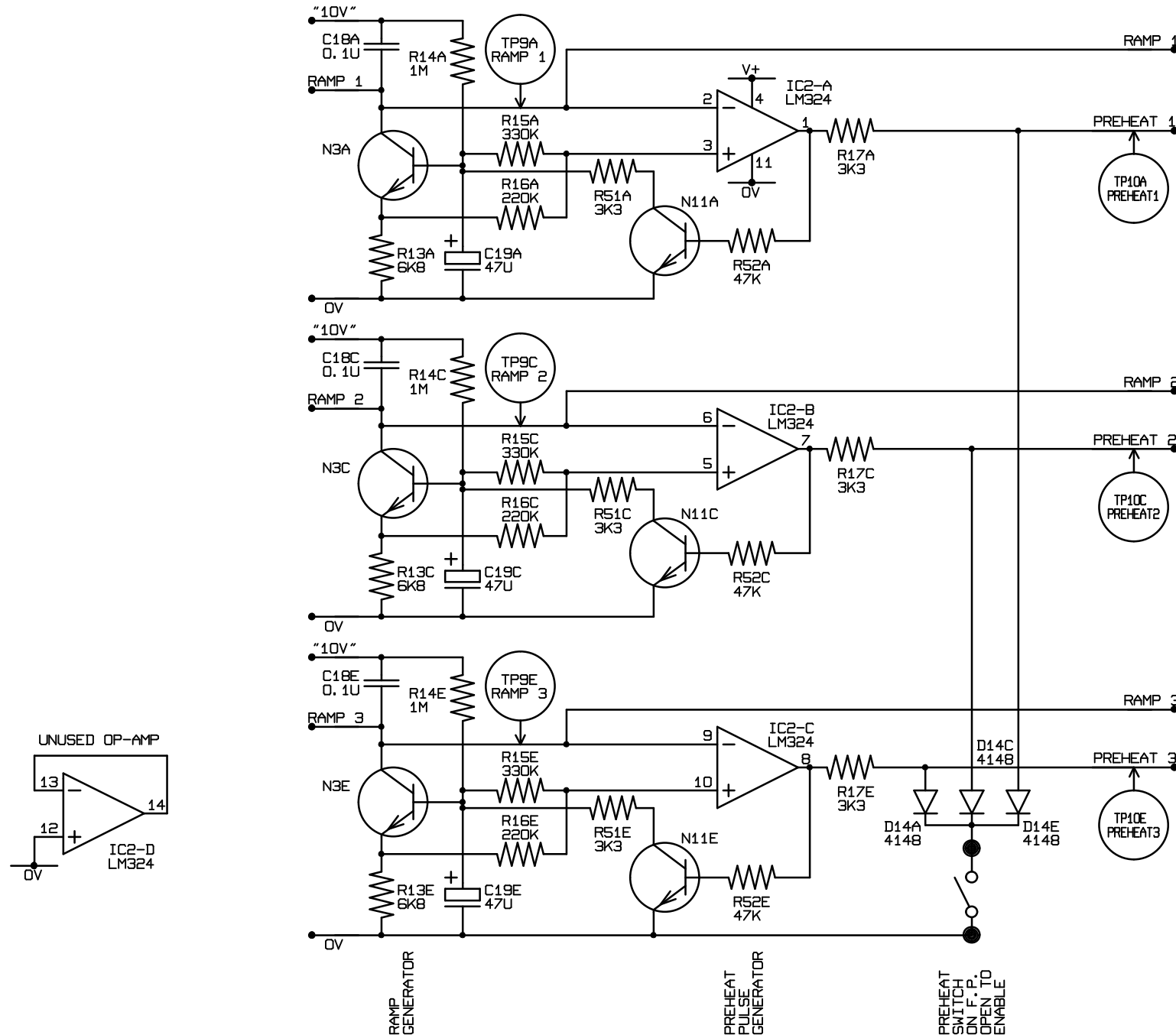
MAINS
SYNC
TIMING PULSE
GENERATOR
WORKS
CORRECTLY
WITH MAINS
VOLTAGES
FROM
100-260V

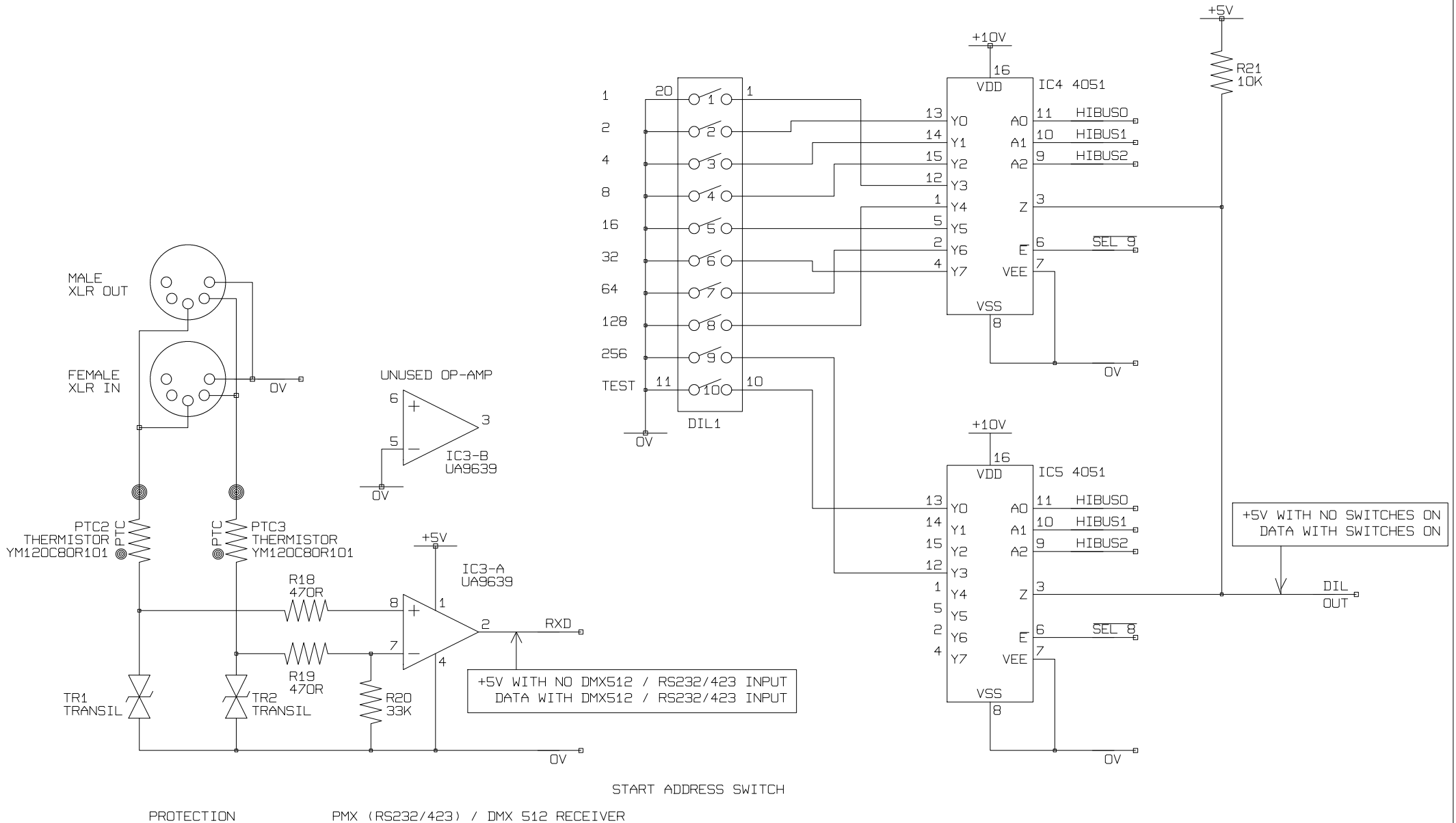
MAINS SUPPRESSION

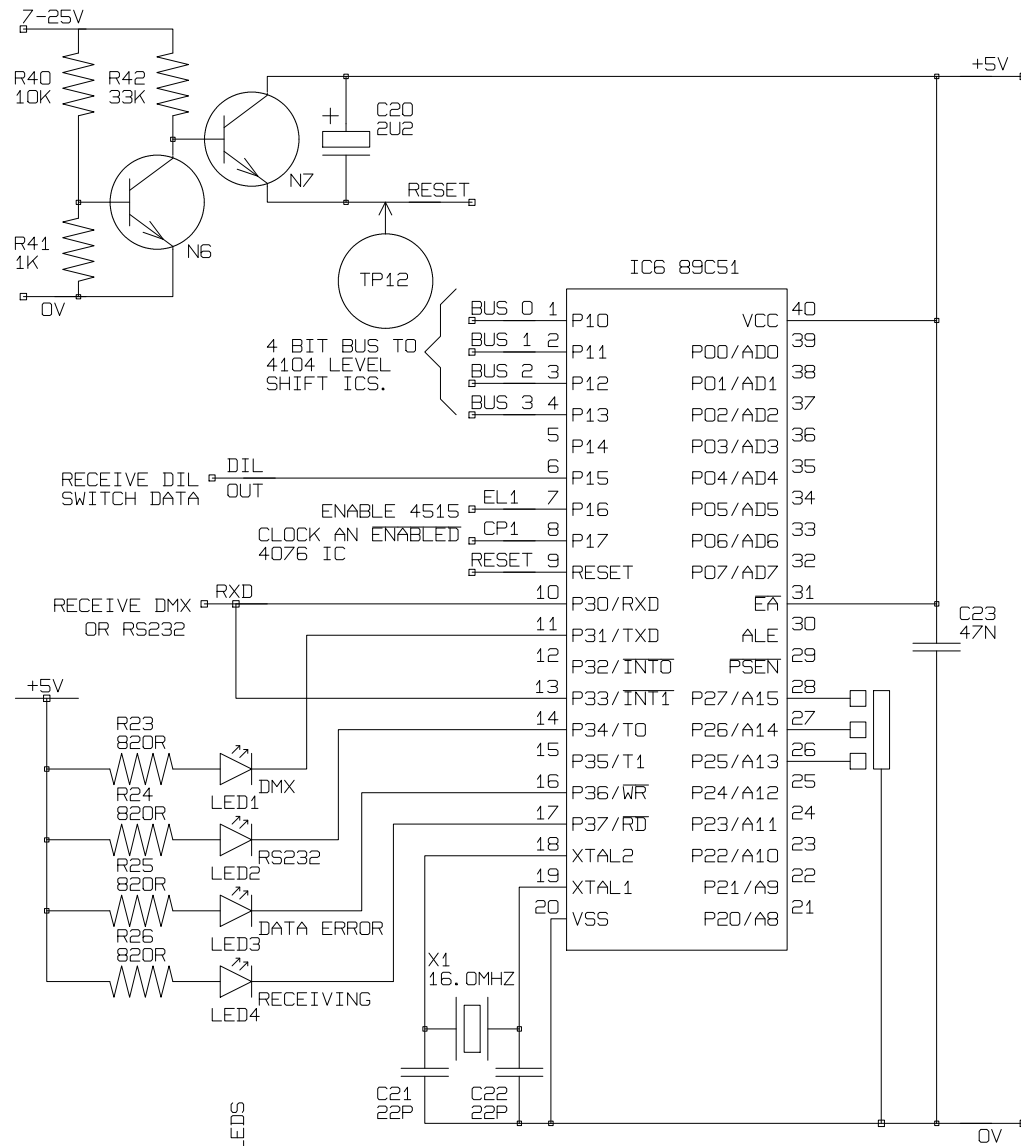
MAINS SUPPLY CONNECTED TO PHASES 2 AND 3 INDICATOR NEONS

MAINS INPUT

FROM SERIAL NO. : 2301 TO:



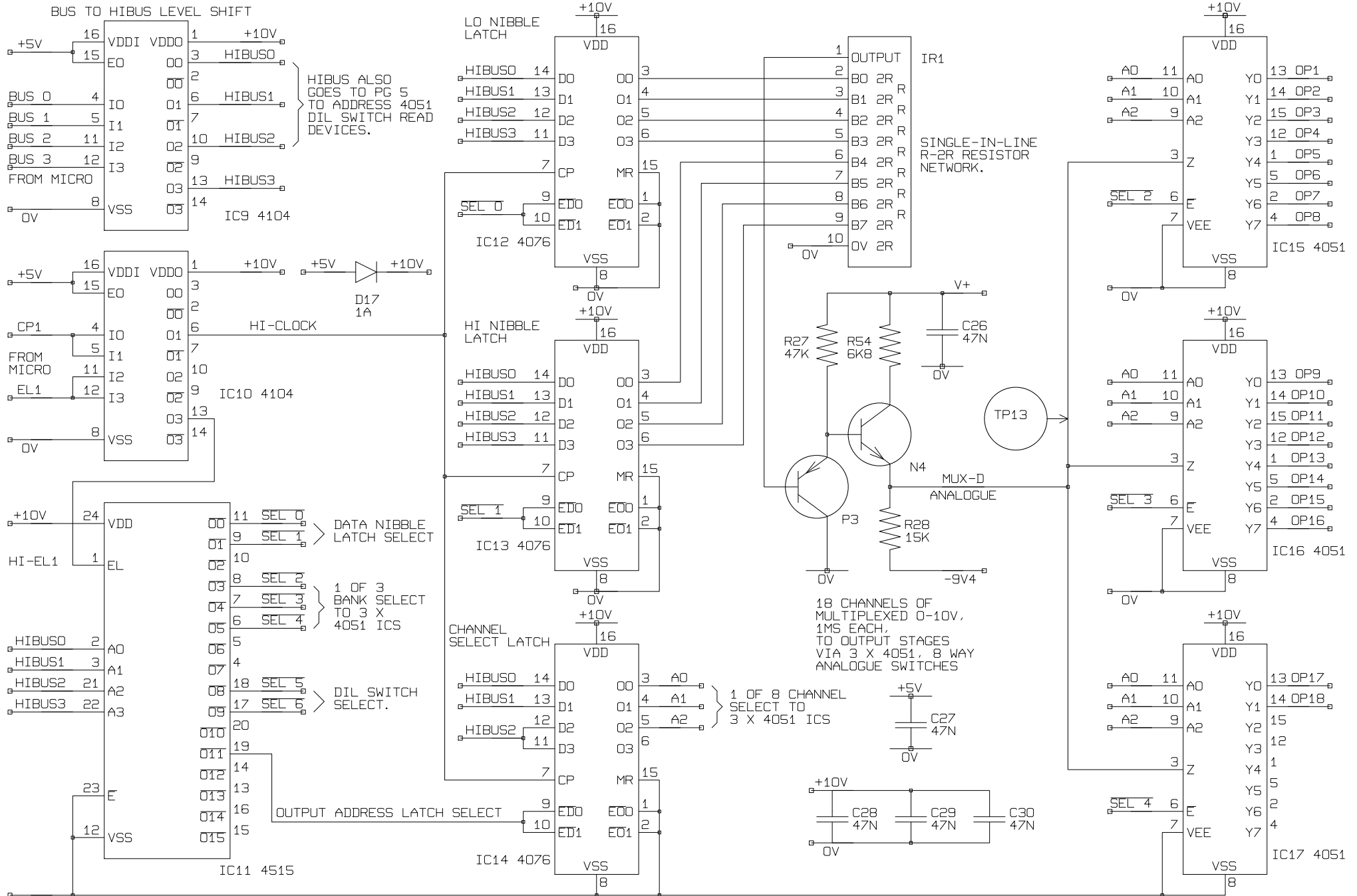




RESET CIRCUITRY

DATA INDICATION LEDES

MICRO



9 CHANNEL DATAPAK

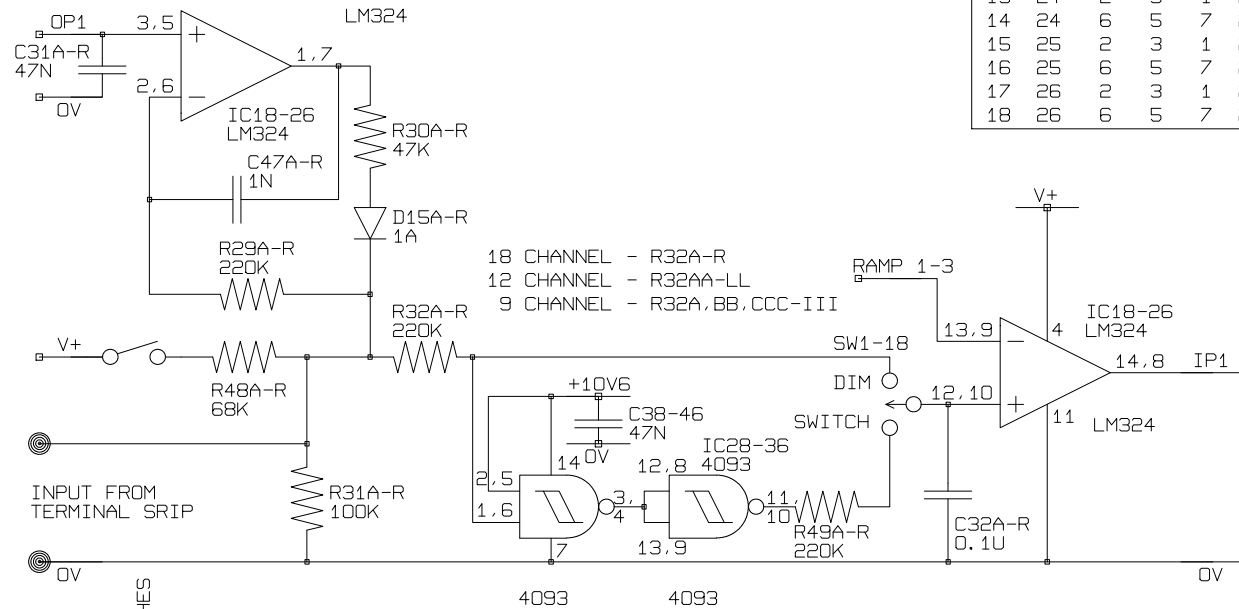
CH.	SAMPLE+HOLD PINOUT				COMPARATOR PINOUT			
	IC	-	+	O/P	IC	-	+	O/P
1	18	2	3	1	18	13	12	14
2	18	6	5	7	19	13	12	14
3	19	2	3	1	20	13	12	14
4	19	6	5	7	21	13	12	14
5	20	2	3	1	22	13	12	14
6	20	6	5	7	23	13	12	14
7	21	2	3	1	24	13	12	14
8	21	6	5	7	25	13	12	14
9	22	2	3	1	26	13	12	14

12 CHANNEL DATAPAK

CH.	SAMPLE+HOLD PINOUT				COMPARATOR PINOUT			
	IC	-	+	O/P	IC	-	+	O/P
1	18	2	3	1	18	9	10	8
2	18	6	5	7	19	13	12	14
3	19	2	3	1	19	9	10	8
4	19	6	5	7	20	13	12	14
5	20	2	3	1	21	9	10	8
6	20	6	5	7	22	13	12	14
7	21	2	3	1	22	9	10	8
8	21	6	5	7	23	13	12	14
9	22	2	3	1	24	9	10	8
10	22	6	5	7	25	13	12	14
11	23	2	3	1	25	9	10	8
12	23	6	5	7	26	13	12	14

18 CHANNEL DATAPAK

CH.	SAMPLE+HOLD PINOUT				COMPARATOR PINOUT			
	IC	-	+	O/P	IC	-	+	O/P
1	18	2	3	1	18	13	12	14
2	18	6	5	7	18	9	10	8
3	19	2	3	1	19	13	12	14
4	19	6	5	7	19	9	10	8
5	20	2	3	1	20	13	12	14
6	20	6	5	7	20	9	10	8
7	21	2	3	1	21	13	12	14
8	21	6	5	7	21	9	10	8
9	22	2	3	1	22	13	12	14
10	22	6	5	7	22	9	10	8
11	23	2	3	1	23	13	12	14
12	23	6	5	7	23	9	10	8
13	24	2	3	1	24	13	12	14
14	24	6	5	7	24	9	10	8
15	25	2	3	1	25	13	12	14
16	25	6	5	7	25	9	10	8
17	26	2	3	1	26	13	12	14
18	26	6	5	7	26	9	10	8



18 CHANNEL - R32A-R
 12 CHANNEL - R32AA-LL
 9 CHANNEL - R32A, BB, CCC-III

INPUT TERMINALS ON PCB
 MUXED ANALOGUE
 IN FROM PAGE 7
 INPUT OVERRIDE DIL SWITCHES

SAMPLE AND HOLD STAGE

SCHMITT TRIGGER
SWITCHING CIRCUIT

DIMMING/SWITCHING
SELECTION SWITCH

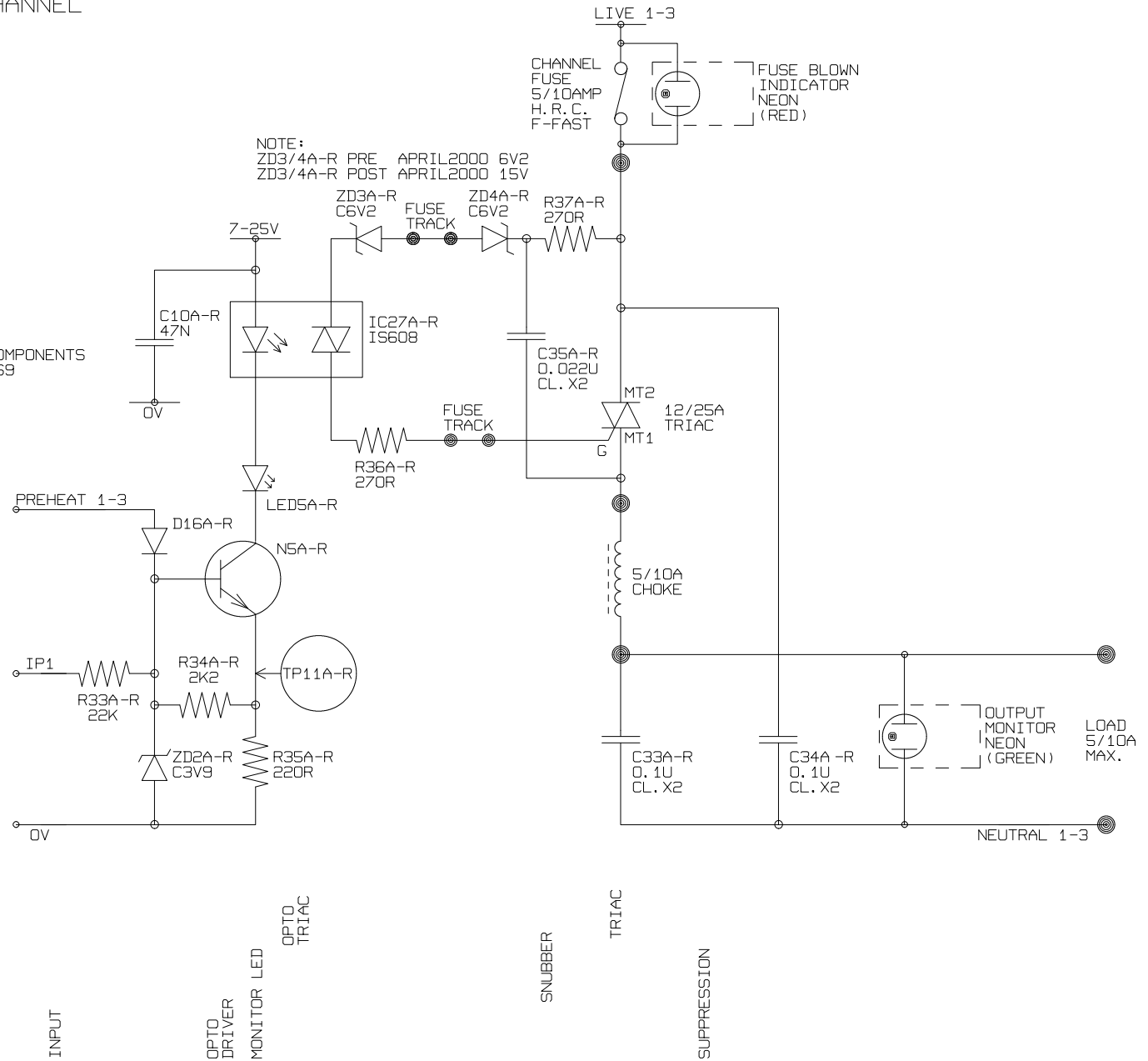
INPUT SMOOTHING

COMPARATOR

THIS PAGE REPEATS ONCE PER CHANNEL

IMPORTANT

THE IS608 OPTO-TRIACS ARE SAFETY CRITICAL COMPONENTS AND MUST BE REPLACED WITH PULSAR PART NO.3069 OR A VDE 0884 APPROVED PART



THIS PAGE REPEATS ONCE PER CHANNEL

IMPORTANT

THE IS608 OPTO-TRIACS ARE SAFETY CRITICAL COMPONENTS AND MUST BE REPLACED WITH PULSAR PART NO. 3069 OR A VDE 0884 APPROVED PART

NOTE:
ZD4A-B PRE APRIL2000 6V2
ZD4A-B POST APRIL2000 15V

