

**ENGLISH**

**RCA-WMH-6 6U / RCA-WMH-9 9U / RCA-WMH-15 15U**

**V1**

**Ordercode:**

**D7655**    **D7656**    **D7657**

## Preface

---

Thank you for purchasing this Showgear product.

The purpose of this user manual is to provide instructions for the correct and safe use of this product.

Keep the user manual for future reference as it is an integral part of the product. The user manual shall be stored at an easily accessible location.

This user manual contains information concerning:

- Safety instructions
- Installation and operation of the product
- Intended and non-intended use of the product
- Maintenance procedures
- Troubleshooting
- Transport, storage and disposal of the product

Non-observance of the instructions in this user manual may result in serious injuries and damage of property.

©2022 Showgear. All rights reserved.

No part of this document may be copied, published or otherwise reproduced without the prior written consent of Highlite International.

Design and product specifications are subject to change without prior notice.

For the latest version of this document or other language versions, please visit our website [www.highlite.com](http://www.highlite.com) or contact us at [service@highlite.com](mailto:service@highlite.com).

Highlite International and its authorized service providers are not liable for any injury, damage, direct or indirect loss, consequential or economic loss or any other loss arising from the use of, or inability to use or reliance on the information contained in this document.

## Table of contents

---

<b>1. Introduction</b>	<b>3</b>
1.1. Before Using the Product	3
1.2. Included Items D7655 / D7656 / D7657	4
1.3. Intended Use	5
1.4. Text Conventions	5
1.5. Symbols and Signal Words	5
1.6. Symbols on the Information Label	5
<b>2. Safety</b>	<b>6</b>
2.1. Warnings and Safety Instructions	6
2.2. Requirements for the User	7
<b>3. Description of the Product</b>	<b>8</b>
3.1. Front View	8
3.2. Product Specifications	9
3.3. Dimensions D7655	10
3.4. Dimensions D7656	11
3.5. Dimensions D7657	12
<b>4. Installation</b>	<b>13</b>
4.1. Safety Instructions for Installation	13
4.2. Installation Site Requirements	13
4.3. Tools for Mounting	13
4.4. Cabinet Mounting	14
4.5. Equipment Installation	17
<b>5. Maintenance</b>	<b>19</b>
5.1. Preventive Maintenance	19
5.1.1. Basic Cleaning Instructions	19
5.2. Corrective Maintenance	19
<b>6. Deinstallation, Transportation and Storage</b>	<b>20</b>
6.1. Instructions for Deinstallation	20
6.2. Instructions for Transportation	20
6.3. Storage	20
<b>7. Disposal</b>	<b>20</b>

## 1. Introduction

### 1.1. Before Using the Product

**Important**

Read and follow the instructions in this user manual before installing, using or servicing this product.

The manufacturer will not accept liability for any resulting damages caused by the non-observance of this manual.

After unpacking, check the contents of the box. If any parts are missing or damaged, contact your Highlite International dealer.

Your shipment includes:

- Showgear RCA-WMH-6 6U / RCA-WMH-9 9U / RCA-WMH-15 15U
- User manual

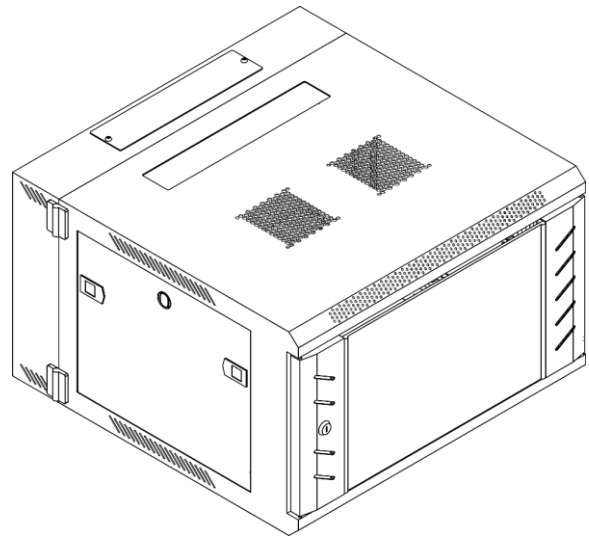


Fig. 01

**1.2. Included Items D7655 / D7656 / D7657**

Image	Item	Name	D7655	D7656	D7657
	A	Cage Nut (M6)	10 x	10 x	20 x
	B	Screw 6x12 mm (T20)	10 x	10 x	20 x
	C	Screw 5,5 x 10 mm (T20)	20 x	20 x	20 x
	D	Side panel screw M5 x 6 mm	4 x	4 x	4 x
	E	Self-tapping screw M4 x 8 mm	4 x	4 x	4 x
	F	Nut (M6)	8 x	8 x	12 x
	G	Nut (M5)	2 x	2 x	2 x
	H	Set of Keys	2x	2x	2x

### 1.3. Intended Use

This product is intended for professional use as a wall-mount server rack cabinet in theaters, entertainment facilities, public venues, and similar. It is suitable only for indoor use. This product is not suitable for households.

Any other use, not mentioned under intended use, is regarded as non-intended and incorrect use.

### 1.4. Text Conventions

Throughout the user manual the following text conventions are used:

- References: References to chapters and parts of the product are in bold lettering, for example: "Refer to **2. Safety**", "turn the **adjustment screw (02)**"
- 0–255: Defines a range of values
- Notes: **Note:** (in bold lettering) is followed by useful information or tips

### 1.5. Symbols and Signal Words

Safety notes and warnings are indicated throughout the user manual by safety signs.

Always follow the instructions provided in this user manual.



#### **DANGER**

Indicates an imminently hazardous situation which, if not avoided, will result in death or serious injury.



#### **WARNING**

Indicates a potentially hazardous situation which, if not avoided, could result in death or serious injury.



#### **CAUTION**

Indicates a potentially hazardous situation, which, if not avoided, may result in minor or moderate injury.



#### **Attention**

Indicates important information for the correct operation and use of the product.



#### **Attention**

Heavy object



#### **Important**

Read and observe the instructions in this document.

### 1.6. Symbols on the Information Label

This product is provided with an information label. The information label is located on the backside of the product.

The information label contains the following symbols:



This product is designed for indoor use.



Read and follow the instructions in the user manual before installing, operating or servicing the product.

## 2. Safety



### Important

**Read and follow the instructions in this user manual before installing, using or servicing this product.**

The manufacturer will not accept liability for any resulting damages caused by the non-observance of this manual.

### 2.1. Warnings and Safety Instructions



### DANGER

**Danger for children**

This product is not suitable for installation in locations where children are likely to be present.

- Do not leave various parts of the packaging (plastic bags, polystyrene foam, nails, etc.) within children's reach. Packaging material is a potential source of danger for children.



### WARNING

**Incorrect installation can cause serious injuries and damage of property.**

Due to incorrect installation this product may fall, causing serious personal injury and material damage.

- Make sure that the structure, where this cabinet is installed, can carry at least 4 times the weight of the cabinet and all equipment installed in the cabinet.
- Make sure that the cabinet is fully mounted and secured before you install equipment in the cabinet.
- Do not exceed the maximum load capacity of the cabinet. Make sure that the cabinet can support the total weight of all equipment installed.



### Attention

**Heavy object**

This product is heavy. Minimum two persons are necessary to mount the cabinet.



### Attention

**General safety**

- Do not put any object on the cabinet.
- Make sure that there is sufficient space for ventilation around the cabinet.
- Do not block or cover the ventilation openings of the cabinet. Do not insert objects into the ventilation openings of the cabinet.
- Keep the cabinet away from moisture, temperature extremes, flammable liquids and gasses, conductive contaminants, dust and direct sunlight.



### Attention

**For professional use only**

**This product shall be used only for the purposes it is designed for.**

This product is intended for professional use as a wall-mount server rack cabinet in theaters, entertainment facilities, public venues, and similar. Any incorrect use may lead to hazardous situations and result in injuries and material damage.

- This product is not suitable for households.
- This product is suitable only for permanent installation.
- This product does not contain user-serviceable parts. Unauthorized modifications to the product will render the warranty void. Such modifications may result in injuries and material damage.

**Attention**

**Do not expose the product to conditions that exceed the rated IP class conditions.**

This product is IP20 rated. IP (Ingress Protection) 20 class provides protection against solid objects greater than 12 mm, such as fingers, and no protection against harmful ingress of water.

## 2.2. Requirements for the User

This product may be used by ordinary persons. Installation, and maintenance shall be carried out only by instructed or skilled persons. Contact your Highlife International dealer for more information.

Instructed persons have been instructed and trained by a skilled person, or are supervised by a skilled person, for specific tasks and work activities associated with the installation, service and maintenance of this product, so that they can identify risks and take precautions to avoid them.

Skilled persons have training or experience, which enables them to recognize risks and to avoid hazards associated with the installation, service and maintenance of this product.

Ordinary persons are all persons other than instructed persons and skilled persons. Ordinary persons include not only users of the product but also any other persons that may have access to the product or who may be in the vicinity of the product.



### 3. Description of the Product

The Showgear RCA-WMH-6 6U / RCA-WMH-9 9U / RCA-WMH-15 15U is a lockable 19" wall-mount rack with a 400 mm (15,8") patch panel depth and a 6 rack / 9 rack / 15 rack unit height, suitable for fixed indoor installations. Equipped with a hinge at the back panel and removable side panels, it'll enable you to easily work at the connection panels from the side or back of the unit. The RCA-WMH-6 6U / RCA-WMH-9 9U / RCA-WMH-15 has an elegant and strong plate steel door with a toughened glass front to last and outperform. It comes with a 19" installation kit, bolt & washer, cage nut, hex key, keys, and screws.

#### 3.1. Front View

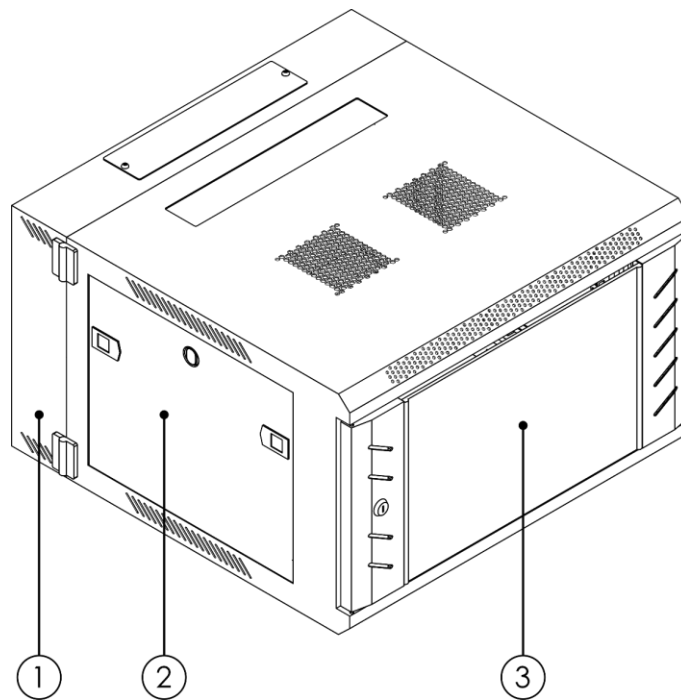


Fig. 02

- 01) 1 x Metal Backdoor
- 02) Side panel with locking mechanism
- 03) 1 x Glass door with a key lock

### 3.2. Product Specifications

Model:	RCA-WMH-6 6U	RCA-WMH-9 9U	RCA-WMH-15
--------	--------------	--------------	------------

<b>Physical:</b>			
Rack units:	6 U	9 U	15 U
Inner rack dimensions:	19" x 6 U (LxH)	19" x 9 U (LxH)	19" x 15 U (LxH)
Dimensions:	616 x 608 x 378 mm (LxWxH)	616 x 608 x 512 mm (LxWxH)	616 x 608 x 779 mm (LxWxH)
Weight:	20 kg	20,5 kg	36,5 kg
Max. Load	70 kg	70 kg	70 kg

<b>Product Properties:</b>	
Housing:	Metal
Color:	Black
IP rating:	IP20
Rack Rail Type:	Fixed
Door:	1 x Metal door with a key lock 1 x Glass door with a key lock
Side panel:	2 x Detachable side panel
Keys:	1 x Set of 2 keys

### 3.3. Dimensions D7655

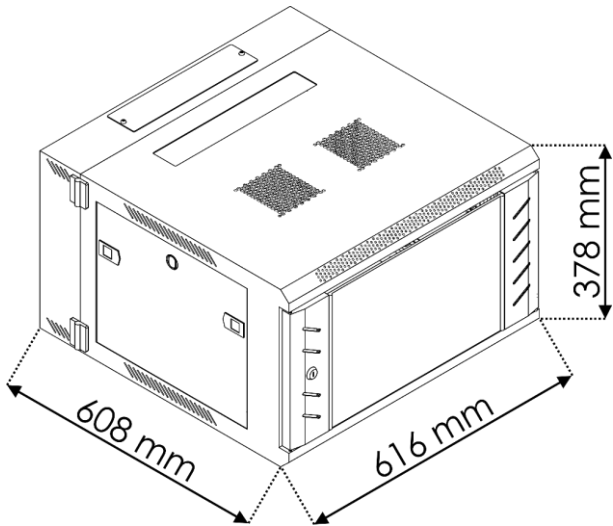


Fig. 03

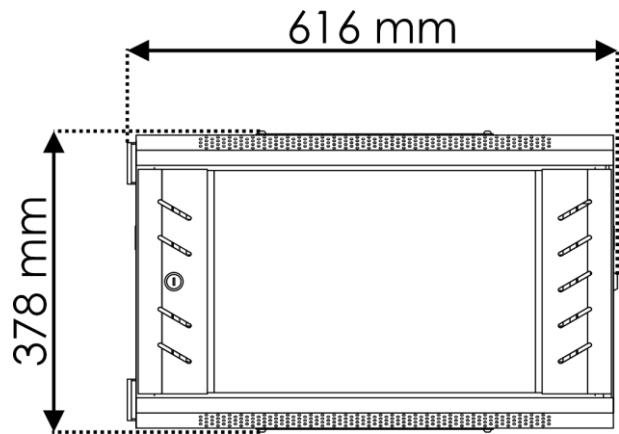


Fig. 04

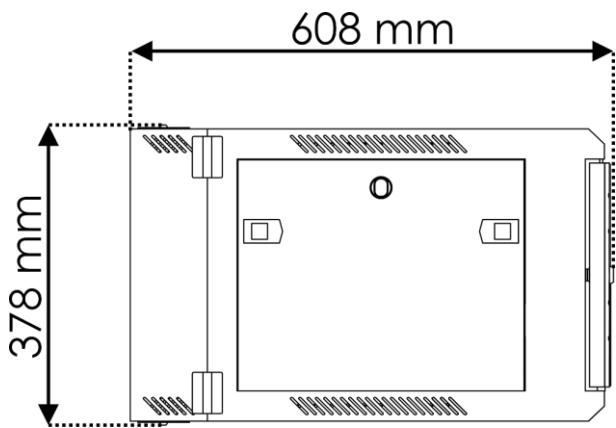


Fig. 05

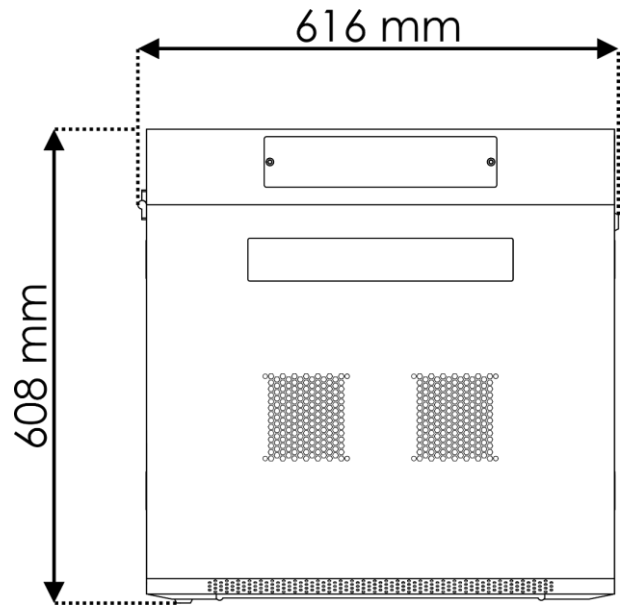


Fig. 06

3.4. Dimensions D7656

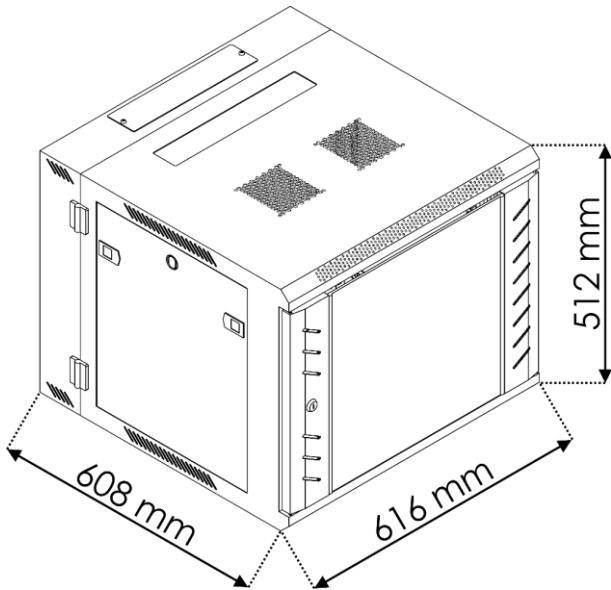


Fig. 07

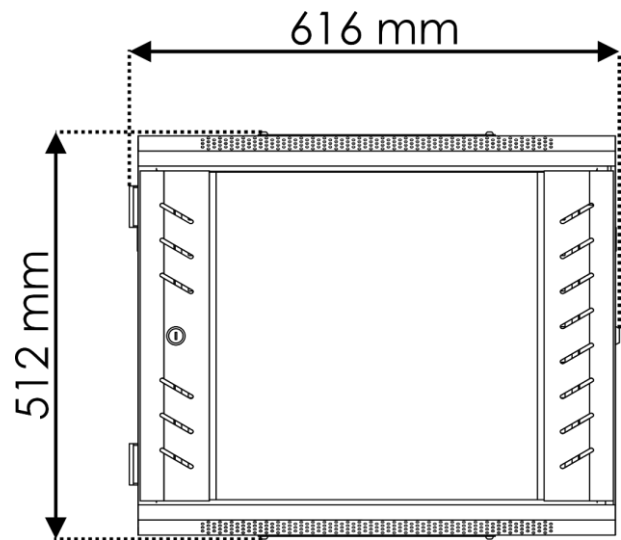


Fig. 08

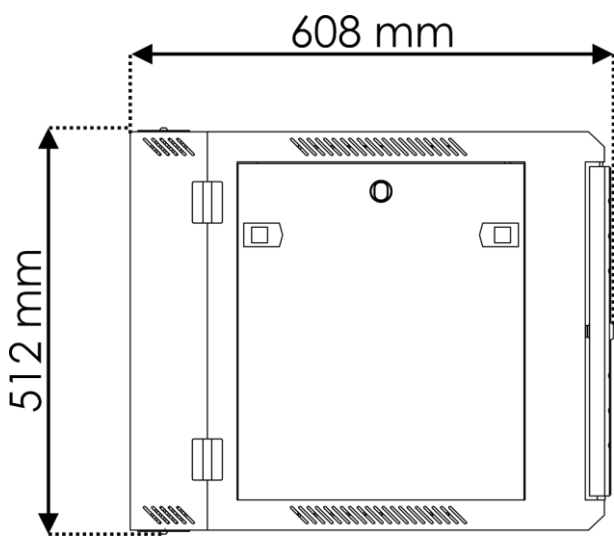


Fig. 09

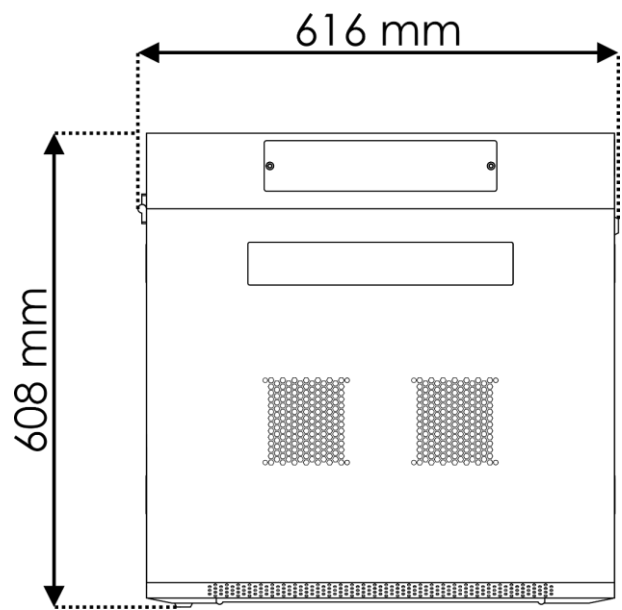


Fig. 10

3.5. Dimensions D7657

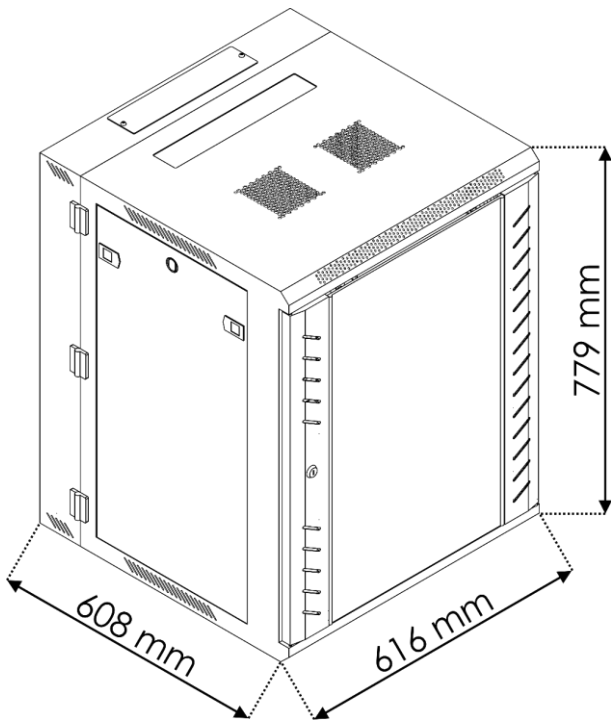


Fig. 11

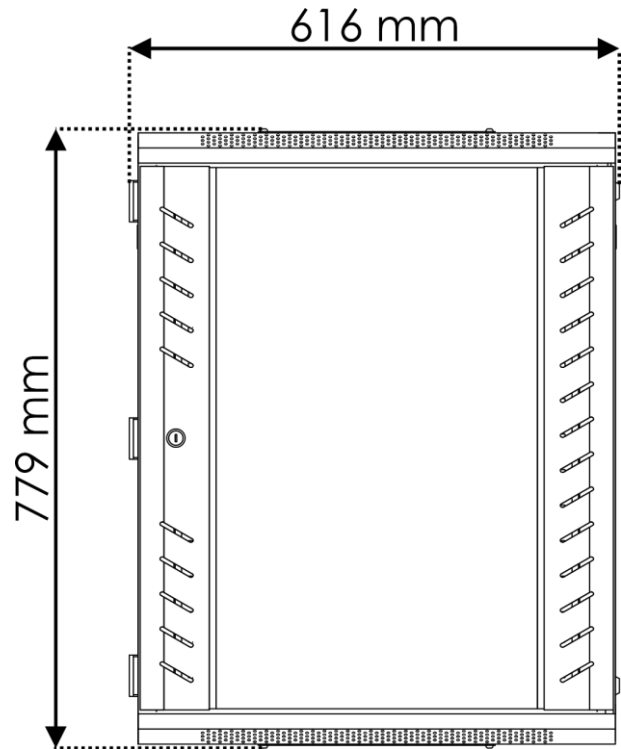


Fig. 12

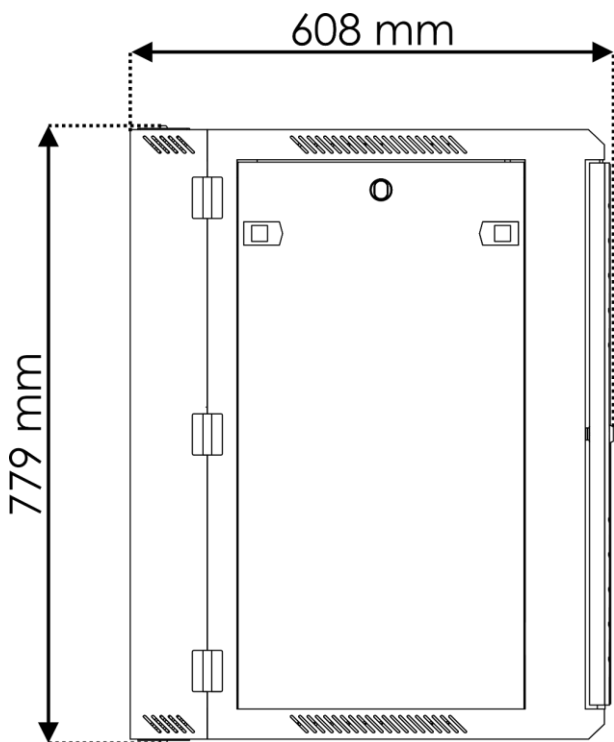


Fig. 13

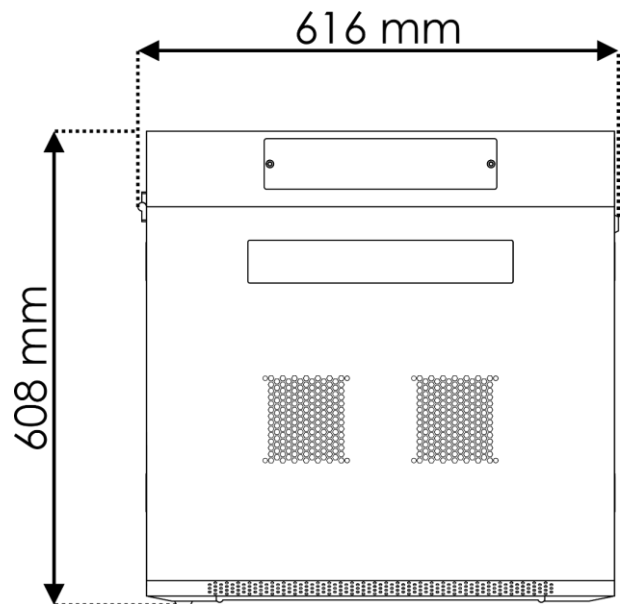


Fig. 14

## 4. Installation

### 4.1. Safety Instructions for Installation

**WARNING**

**Incorrect installation can cause serious injuries and damage of property.**

Due to incorrect installation this product may fall, causing serious personal injury and material damage.

Make sure that the structure, where this cabinet is installed, can carry at least 4 times the weight of the cabinet and all equipment installed in the cabinet.

It is not recommended to mount the cabinet on a wooden wall or on drywall panels.

Installation must be carried out only by instructed or skilled persons.

### 4.2. Installation Site Requirements

**Attention**

**Make sure that there is enough space for ventilation around the cabinet.**

The cabinet must be installed only indoors.

Keep the cabinet away from moisture, temperature extremes, flammable liquids and gasses, conductive contaminants, dust and direct sunlight.

### 4.3. Tools for Mounting

To mount the product, you need:

- Phillips screwdriver (PH1)
- Anchors
- Drill bits
- Power drill
- Ruler
- Water Level

#### 4.4. Cabinet Mounting

Make sure that the mounting hardware is suitable for the structure where the cabinet will be installed.

- 01) Select the place where you want to install the cabinet.
- 02) Mark the drilling locations and make sure that the alignment is correct, as shown in Fig. 15.

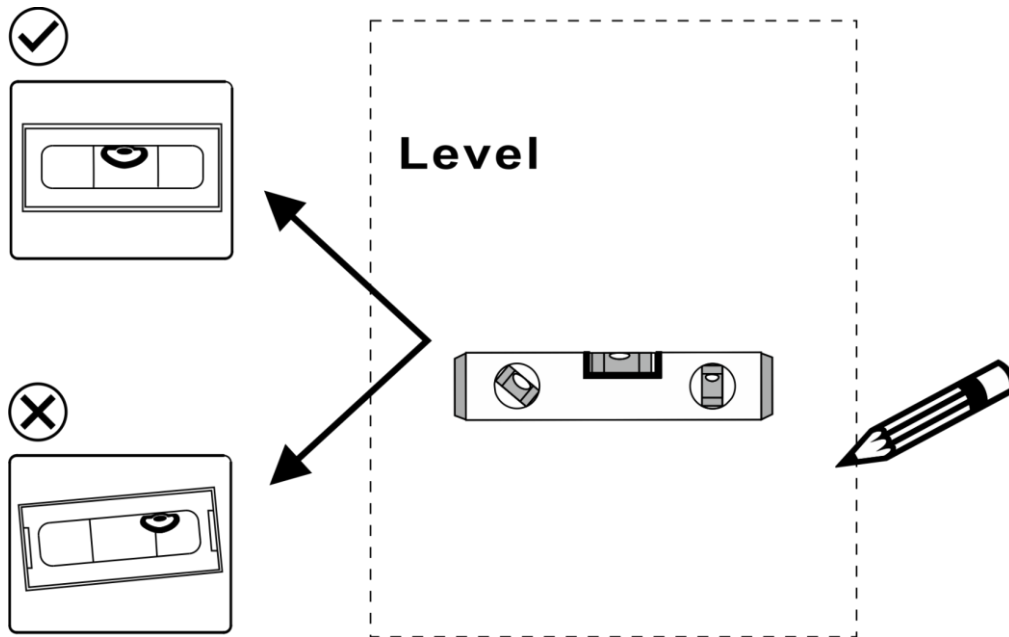


Fig. 15

- 03) Drill pilot holes at the 4 marked locations, as shown in Fig. 16–19.

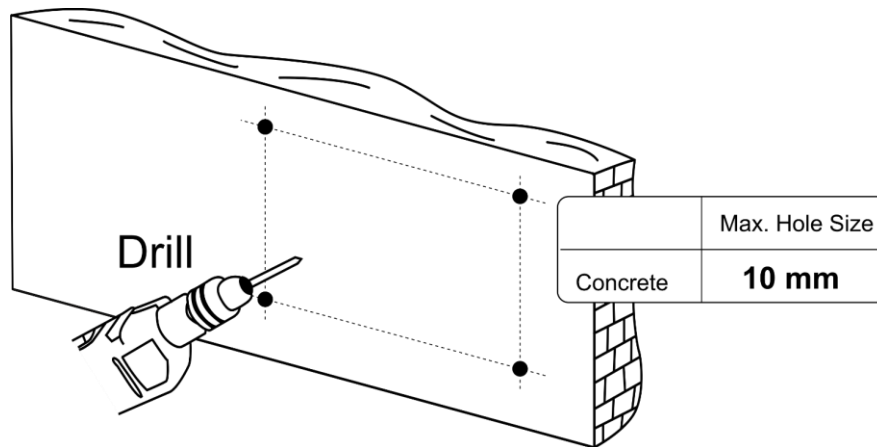


Fig. 16

D7655

D7656

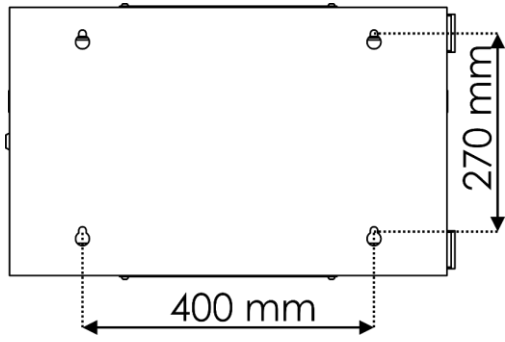


Fig. 17

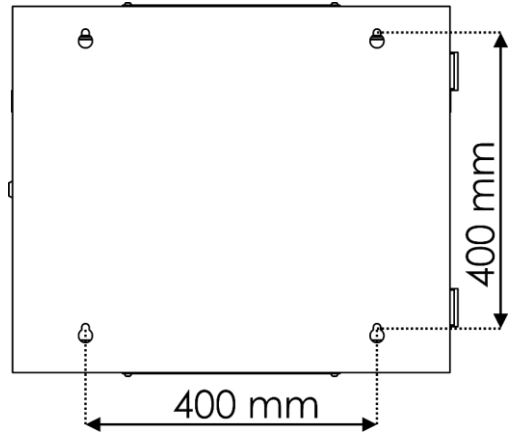


Fig. 18

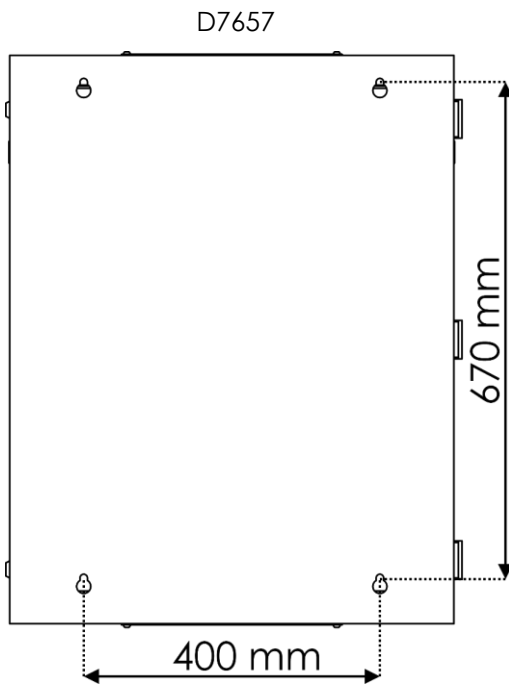


Fig. 19



- 04) Unpack all packages and carefully lay the parts out on the floor.
- 05) Install the correct anchors and screws, as shown in Fig. 20.
- 06) Make sure that the screws show 5 mm from the wall, as shown in Fig. 21.

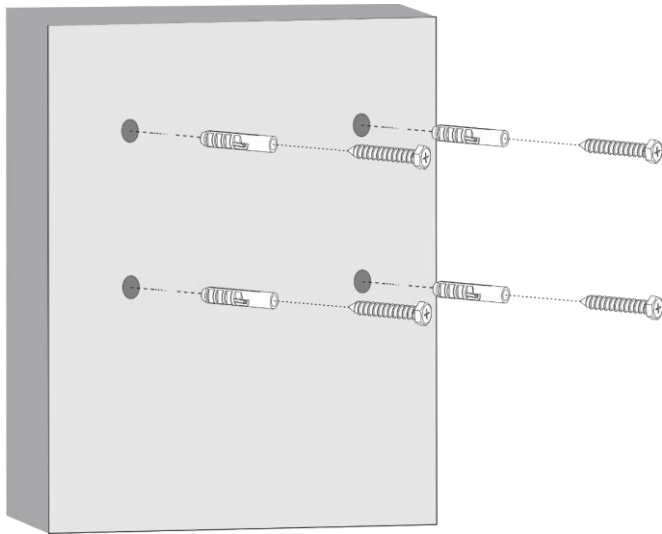


Fig. 20

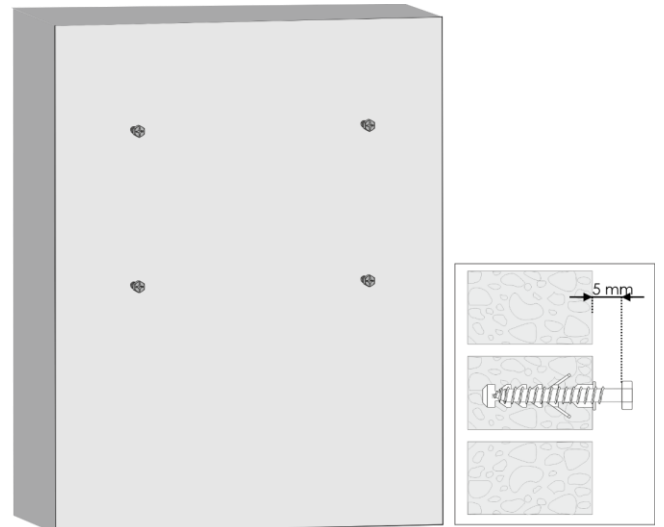


Fig. 21



**Attention**  
**Heavy object**

This product is heavy. Minimum two persons are necessary to mount the cabinet.

- 07) Hang the cabinet on the 4 screws on the wall, as shown in Fig. 22 and Fig. 23.

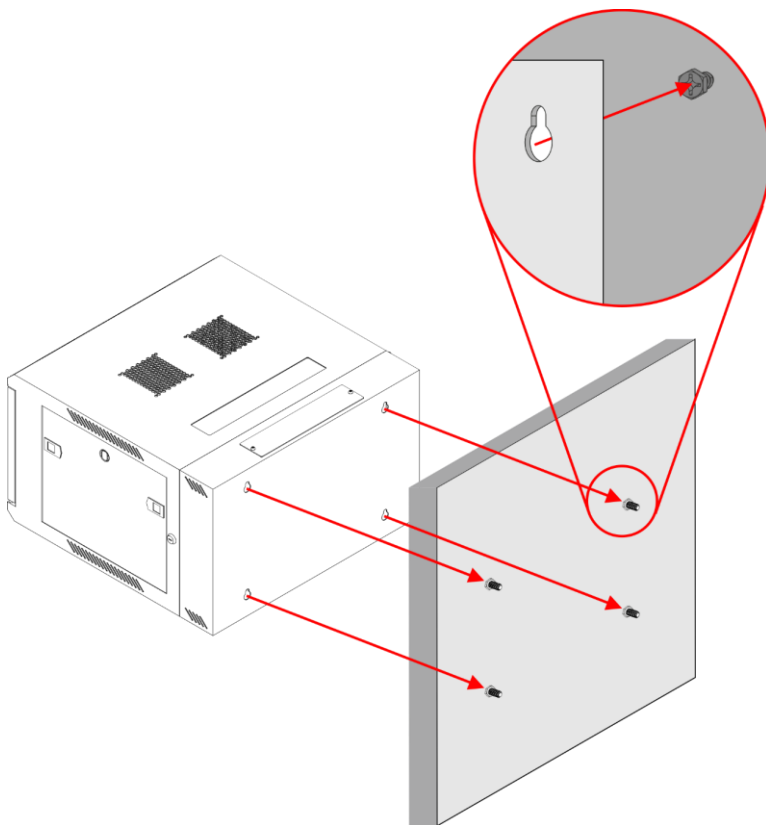


Fig. 22

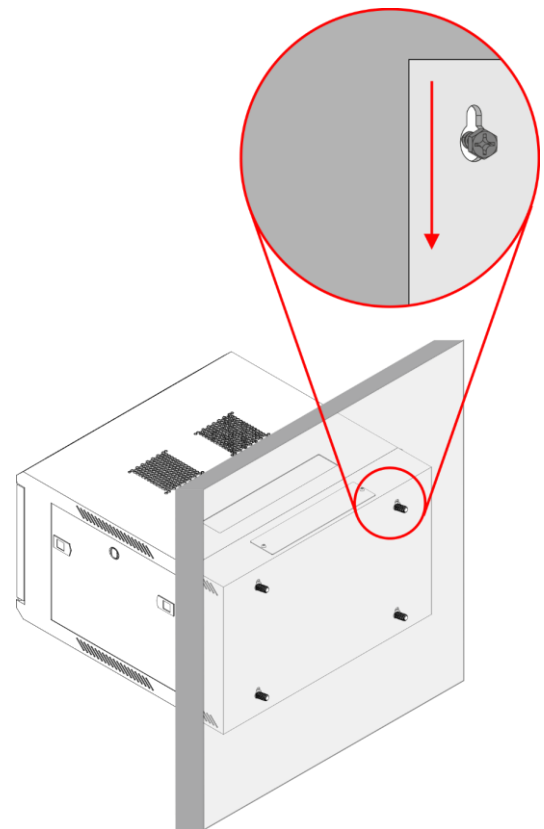


Fig. 23

- 08) Tighten the screws and make sure that the cabinet is correctly secured, as shown in Fig. 24.  
 09) Use the **keys (H)** to lock and unlock the doors. The cabinet is now ready for use, as shown in Fig. 25.

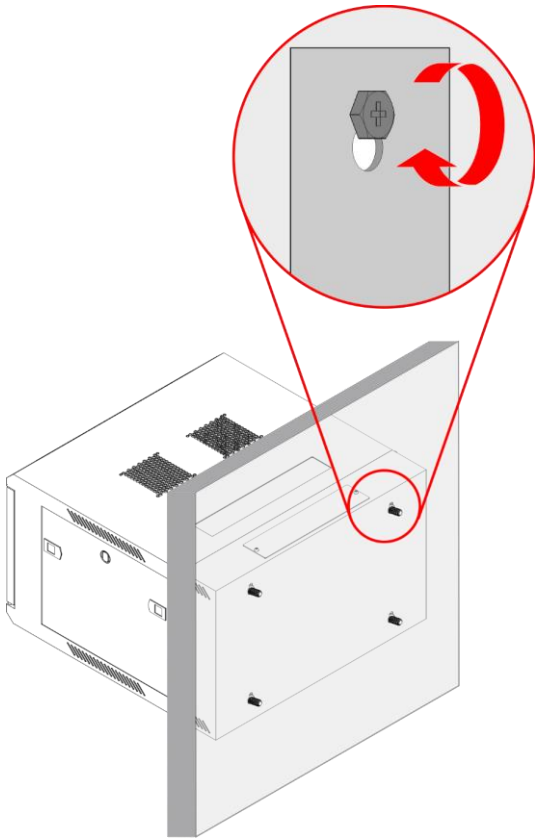


Fig. 24

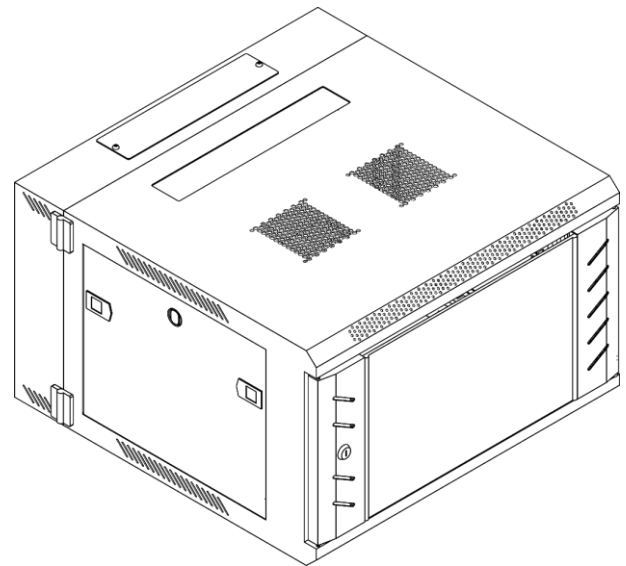


Fig. 25

- 10) Make sure that the cabinet is completely leveled before you install equipment.

#### 4.5. Equipment Installation

Incorrect use of this product may cause personal injury and material damage.

- Make sure that the cabinet is fully mounted and secured before you install equipment in the cabinet.
- Do not exceed the maximum load capacity of the cabinet. Make sure that the cabinet can support the total weight of all equipment installed.
- Do not put any object on the cabinet.

You can install standard 19-inch equipment into the server rack cabinet. The inside dimensions of the server rack cabinet are as follows:

- D7655 RCA-WMH-6: 6 U
- D7656 RCA-WMH-9: 9 U
- D7657 RCA-WMH-15: 15 U

1 rack unit is 44,45 mm high.

To mount equipment, follow the steps below:

- 01) Put 4 **cage nuts (A)** in front of the holes on the vertical brackets at the place where you want to mount the equipment, as shown in Fig. 26.
- 02) Insert one side of the **cage nut (A)** into the vertical bracket, as shown in Fig. 27.

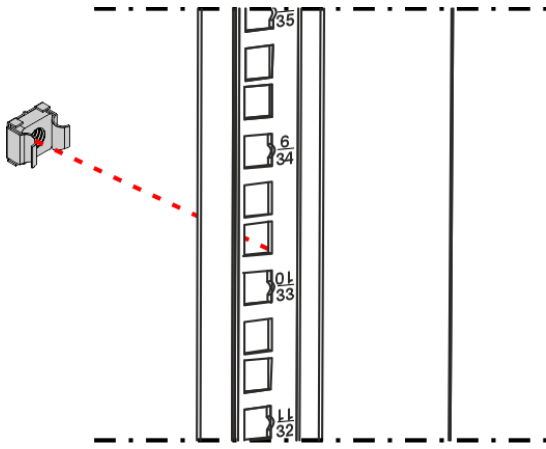


Fig. 26

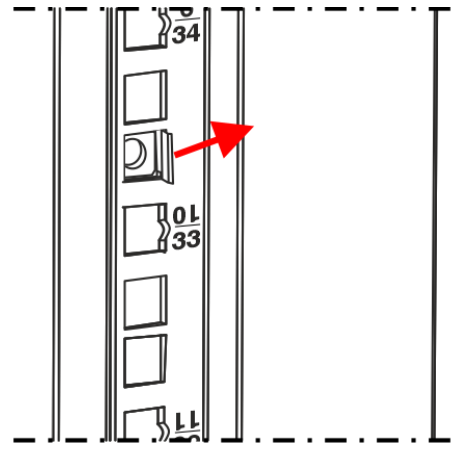


Fig. 27

- 03) Press the other side of the **cage nut (A)** and push it through the hole, as shown in Fig. 28.
- 04) Repeat steps 2–3 to install the other 3 **cage nuts (A)**.
- 05) Put the equipment in front of the cabinet at the place where the 4 **cage nuts (A)** are installed. Make sure that the mounting holes on the equipment are aligned with the **cage nuts (A)**, as shown in Fig. 29.
- 06) Use a screwdriver to mount the equipment to the vertical brackets with 4 **screws (C)**.
- 07) Tighten the 4 **screws (C)** to make sure that the equipment cannot move.

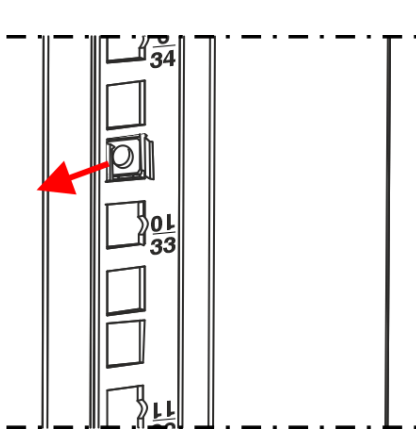


Fig. 28

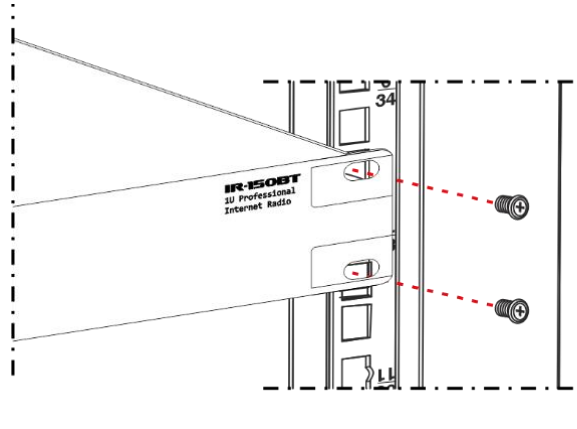


Fig. 29

## 5. Maintenance

---

### 5.1. Preventive Maintenance

**Attention**

Before use, examine the cabinet visually for any defects.

Make sure that:

- All screws used for installing the cabinet are tightly fastened and are not corroded.
- There are no deformations on materials.

#### 5.1.1. Basic Cleaning Instructions

The ventilation openings must be cleaned periodically in order to optimize airflow and keep the installed equipment dust-free. The cleaning schedule depends on the conditions at the site where the cabinet is installed.

**Attention**

Do not use alcohol or solvents.

To clean the product, follow the steps below:

- 01) Clean the product with a soft, lint-free cloth.
- 02) Remove dust from the ventilation openings with an air compressor, vacuum cleaner or a soft brush.

### 5.2. Corrective Maintenance

The product does not contain user-serviceable parts. Do not modify the product.

Refer repairs and servicing to instructed or skilled persons. Contact your Highlite International dealer for more information.

## 6. Deinstallation, Transportation and Storage

---

### 6.1. Instructions for Deinstallation



**Attention**  
**Heavy object**

This product is heavy. Minimum two persons are necessary to mount or to move the cabinet.

- Deinstallation must be carried out only by instructed or skilled persons.
- Do not put any equipment on the cabinet.

To deinstall the product, follow the steps below:

- 01) Remove the installed equipment from the cabinet.
- 02) Clean the cabinet. See **5.1.1. Basic Cleaning Instructions** on page 19.

### 6.2. Instructions for Transportation

- Use the original packaging to transport the product, if possible.
- Always observe the handling instructions printed on the outer carton box, for example: "Handle with care", "This side up", "Fragile".

### 6.3. Storage

- Inspect the product for defects before storing. See **5.1. Preventive Maintenance** on page 19 for more information.
- Clean the product before storing. Follow the cleaning instructions in chapter **5.1.1. Basic Cleaning Instructions** on page 19.
- Store the product in the original packaging, if possible.

## 7. Disposal

---

After the product is removed from service all metal parts can be disposed of as scrap. The plastic and rubber parts of this product shall not be treated as household waste. Dispose of these plastic and rubber parts by handing it to the respective collection point for recycling. This is to avoid environmental damage or personal injury due to uncontrolled waste disposal. For more detailed information about recycling of this product contact the local authorities or the authorized dealer





---

**SHOW  
GEAR**

©2022 Showgear