

A9950044 POWERdrive 50W Constant Current 3xDMX-Version

50W Full-Colour Dimmable LED Driver

POWERdrive 562 and 561 are constant current, DMX/RDM compatible LED drivers with three and four LED outputs respectively. Targeted at a wide range of full-colour, dynamic LED lighting applications, POWERdrive's dynamic response can be tuned to fit any content - from exceptionally smooth fades in architecture to fast-paced video in entertainment. POWERdrive - Beyond Colour.

Applications

- Entertainment lighting
- Stage lighting
- Full-colour architectural lighting
- Signage / advertising lighting
- Façade lighting
- Retail display lighting
- Full-colour / tunable white applications
- Decorative lighting

Features & benefits

Input

- Voltage: 120 - 277 VAC
- Current, max: 0.7A
- Frequency: 50/60Hz

Output

- Voltage: 55V typ
- Current range: settable from 200mA to 1,050mA for each LED output separately
- Power: 50W max

General

- Power factor: > 0.9
- DMX / RDM and LedSync compatible
- Hybrid HydraDrive: efficient, smooth and flicker-free dimming
- Full dimming control: 100% to 0%, choice of linear or logarithmic dimming curve
- High efficiency over a wide power and voltage range: 89% at full load, ≥ 85% above 67% load
- Maximum (rated) power available over wide LED voltage (30-55V) and LED current range (200-1,050mA)
- LEDcode/NTC interface for robust thermal management
- Programmable with TOOLbox pro and FluxTool software via DMX/LedSync

LEDcode configuration

- USB-LEDcode interface: TOOLbox pro (part number: A9915056)
- FluxTool software: for Mac and PC freely downloadable from

www.eldoled.com/fluxtool



Connectors

- LED outputs: + and - (562: x3 and 561: x4)
- LEDcode/NTC: + and -
- DMX in: +, - and shield
- Power: Line, Neutral and Ground

Wiring

- Cross section: 0.5 - 1.5 mm², AWG 20 - 16
- Strip length: 9 mm / 0.35 in.

- Weight: 372 g, 13.12 oz

Environmental ratings

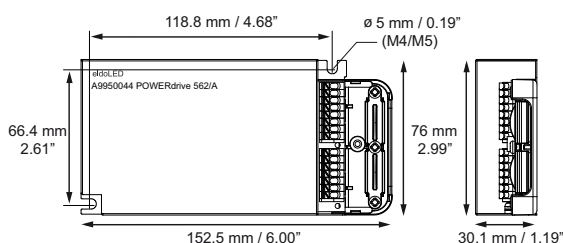
- Ta range: -20°C...+50°C / -4°F...+122°F
- Tc max: 85°C / 185°F
- For use in damp and dry locations


Control compatibility

- DMX512A and RDM explore & address (ANSI E1.20) control gear

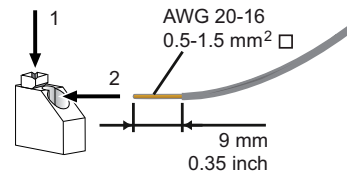
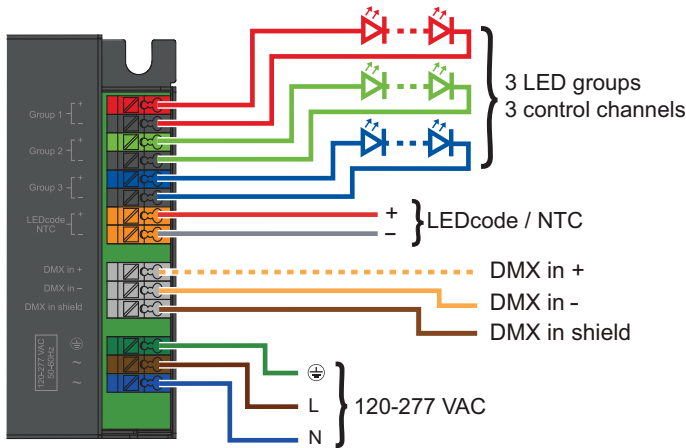
Certifications

- CE
- IEC 61347, IEC 62384, EN 55015, EN 55022, IEC 61000-3-2, IEC 61547
- UL: pending
- ENEC by VDE (pending for 561/M)

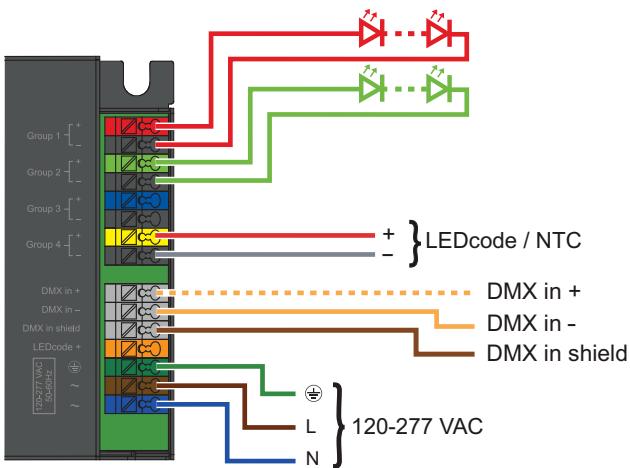


 Pay attention when connecting the LED groups:
polarity reversal results in no light output and often damages the LEDs

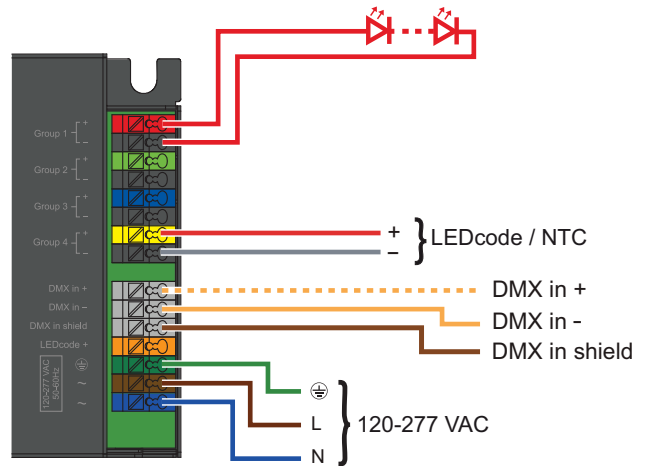
Connecting 3 LED groups





Connecting 2 LED groups



Connecting 1 LED group



 **WARNING:** Risk of electrical shock. May result in serious injury or death. Disconnect power before servicing or installing.

 **CAUTION:** The device may only be connected and installed by a qualified electrician. All applicable regulations, legislation and building codes must be observed. Incorrect installation of the device can cause irreparable damage to the device and the connected LEDs.


LED groups


Indicates the location of the connectors for your LED groups. R(ed) represents channel 1, G(reen) represents channel 2 and B(lue) represents channel 3. The default group color allocation can be changed using the TOOLbox pro and freely available FluxTool application.

LED wiring distance

Maximum wiring distance at full load:

| AWG value | 20 | 19 | 18 | 17 | 16 |
|---------------|------|----|------|------|-------|
| Distance (m) | 14 | 18 | 22 | 28 | 36 |
| Distance (ft) | 45.9 | 59 | 72.2 | 91.9 | 118.1 |

 Please observe voltage drop over long cable lengths.

 Longer cable lengths increase EMI susceptibility.

LEDcode

LEDcode allows configuration of

- Dimming curve: lin / log
- Minimum dimming level
- NTC throttle temperature
- LED drive current per output: from 200mA-1,050mA in 1mA steps

Programming the driver via LEDcode requires a TOOLbox pro and FluxTool software. Connect the TOOLbox pro to the LEDcode connectors.

DMX in

Use these connectors when the driver is used in a DMX network. Connect the network cable's DMX+, DMX- and DMX shielding wire (the orange/white, orange and brown wire in a CAT5 cable) to the DMX in+, DMX in- and DMX in shield connector respectively.

120-277 VAC

The driver has been designed for use with universal mains voltage input of 120-277 VAC, 50/60Hz.