

A9950041 POWERdrive DC90W

Constant Current RGB(W) LED driver/controller

The POWERdrive 90D is a highly integrated, enclosed and easy-to-configure constant current driver/controller with multiple current sources for high-brightness, indoor LED lighting applications requiring up to 90 Watts 200mA-500mA. The POWERdrive 90D can be integrated in a network or used as standalone devices and is DMX, DALI and LedSync compatible, the latter allowing 15-bit dimming and colour control and bidirectional communication for driver configuration and temperature readout.

Technical specifications:

LED current settings: 200-1050mA (in 50mA steps)
 Power output range: 0-90 Watt
 Operating supply: 12V-32V DC (Efficiency up to 95%)
 Current max.: 4.62A
 Independed LED groups: up to 4
 Environmental rat.: Ta range: -20°C to +50°C (-4°F to +122°F)
 Tc max. 65°C (149°F)
 T heatsink max: 60°C (140°F)
 Cooling: Passive (integrated heat spreader)
 Relative humidity: non condensing
 Network input: USITT DMX-512, LedSync
 Network output: USITT DMX-512, LedSync
 Network resolution: 8 bit (4 Network channels used by driver) or 16 bit (8 Network channels used by driver)
 Certifications: CE: IEC 61347, EN 55015, IEC61003, EN 61547

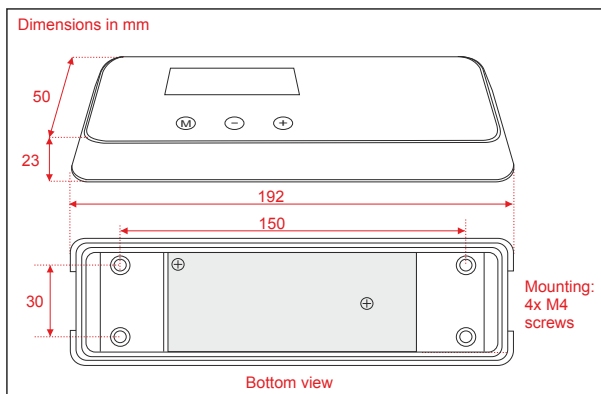


| | | | | |
|--------------------|-----------------------------------|---------------------------|--------------------|---|
| KG 0.196 | Operat. Power 12-32V DC | Class Class III | IP IP-20 | Dimensions L 192 mm W 50 mm H 23 mm |
|--------------------|-----------------------------------|---------------------------|--------------------|---|



Mode Settings: Color (stand-alone with speed and intensity), Show (9-20 sequences), DMX

- DMX control mode:
- a. 1-1L 1-DMX-channels for LED group 1) (group 2+3+4 are disabled)
 - b. 2-2L 2-DMX-channels for LEDgroup 1+2) (group 3+4 are disabled)
 - c. 3-3L 3-DMX-channels for LED group 1+2+3) (group 4 is disabled)
 - d. 4-4L 1-DMX-channels for LED group 1+2+3+4)
 - e. 2-4L 2-DMX-channels for 2 LED groups 1+2 & 3+4)
 - f. 1-4L 1-DMX-channels (4 groups 1+2+3+4)
 - g. RGB 3-DMX-channels for 3 LED groups (Red & Green & Blue)
 - h. RGBW 4-DMX-channels for 4 LED groups (Red & Green & Blue & White)
 - i. RGBA 4-DMX-channels for 4 LED groups (Red & Green & Blue & Amber)
 - j. RRGB 3-DMX-channels for 4 LED groups (2x Red & Green & Blue)
 - k. RGGW 3-DMX-channels for 4 LED groups (1x Red & 2x Green & 1xBlue)
 - l. CCWW 2-DMX-channels for 4 LED groups (2x same color & 2x White)
 - m. CWWW 2-DMX-channels for 4 LED groups (1-group & 3-groups)

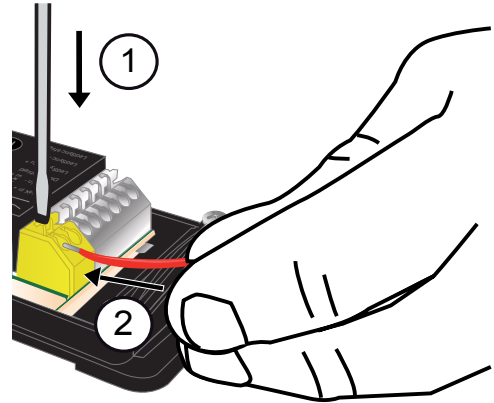




Connecting and configuring the POWERdrive 45



A Removing the cover



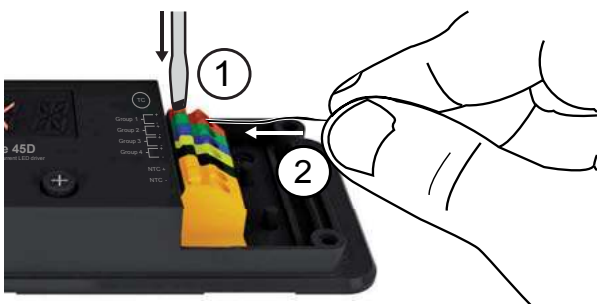
E Optional: Connecting external control device or network cabling



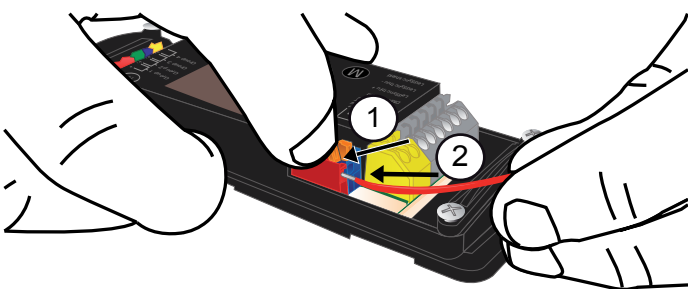
B Removing the strain reliefs



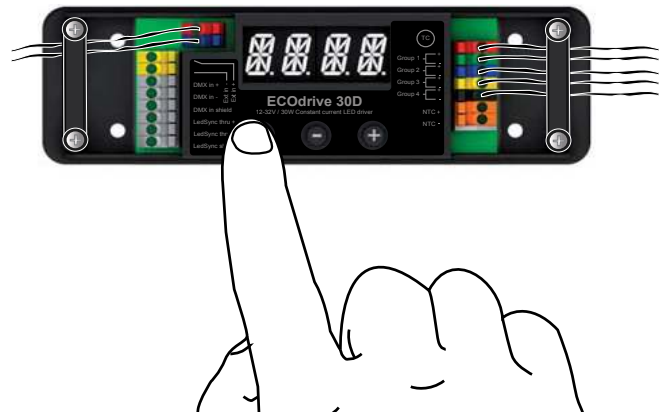
F Fastening the strain reliefs



C Connecting LED wires



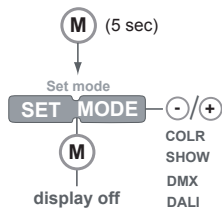
D Connecting power supply wires



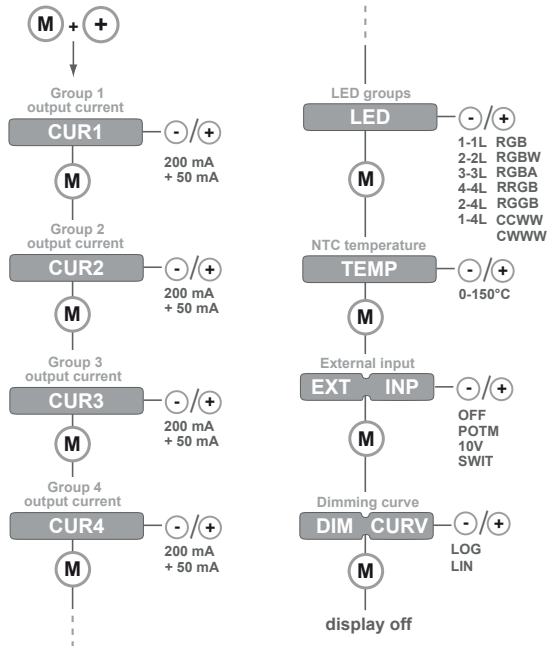
G Configuring the ECOdrive

Manual configuration

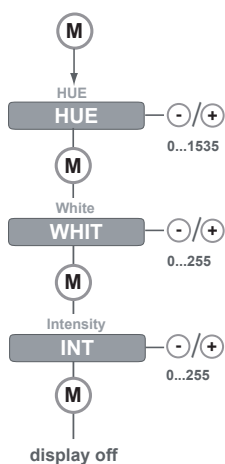
1. Select mode of operation:



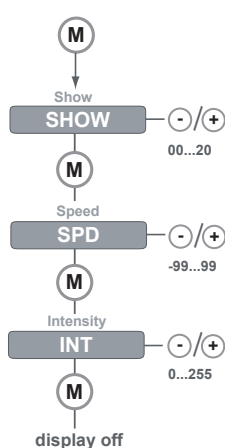
2. Set LED current and LED groups:



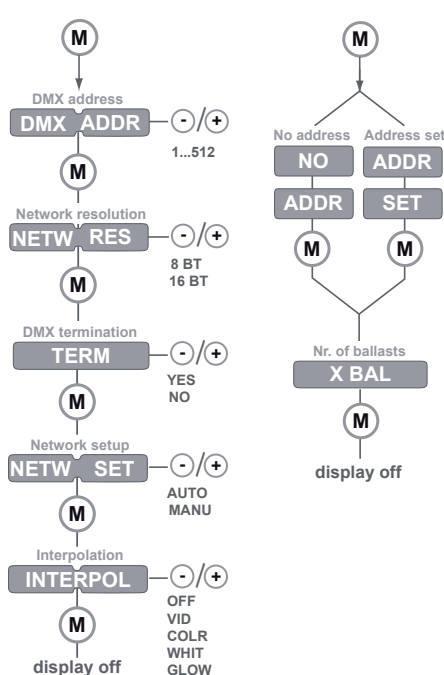
3. Standalone operation - Colour* -



or Standalone operation - Show -

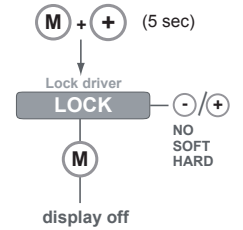


or Networked operation - DMX or DALI -

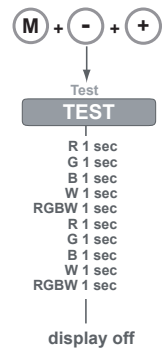


Other features

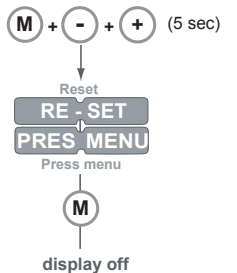
Locking the configuration



Visual test run



Reset to factory defaults



* The colour menu depends on the LED group settings you have selected in step 2.