

A9950040 POWERdrive DC45W

Constant Current RGB(W) LED driver/controller

The POWERdrive 45D is a highly integrated, enclosed and easy-to-configure constant current driver/controller with multiple current sources for high-brightness, indoor LED lighting applications requiring up to 45 watts 200mA-500mA. The POWERdrive 45D can be integrated in a network or used as standalone devices and is DMX, DALI and LedSync compatible, the latter allowing 15-bit dimming and colour control and bidirectional communication for driver configuration and temperature readout.

Technical specifications:

LED current settings: 200-500mA (in 50mA steps)
 Power output range: 0-45 Watt
 Operating supply: 12V-32V DC (Efficiency up to 95%)
 Current max.: 2.2A
 Independent LED groups: up to 4
 Environmental rat.: Ta range: -20°C to +50°C (-4°F to +122°F)
 Tc max. 65°C (149°F)
 T heatsink max: 60°C (140°F)
 Cooling: Passive (integrated heat spreader)
 Relative humidity: non condensing
 Network input: USITT DMX-512, LedSync
 Network output: USITT DMX-512, LedSync
 Network resolution: 8 bit (4 Network channels used by driver) or 16 bit (8 Network channels used by driver)
 Certifications: CE: IEC 61347, EN 55015, IEC61003, EN 61547

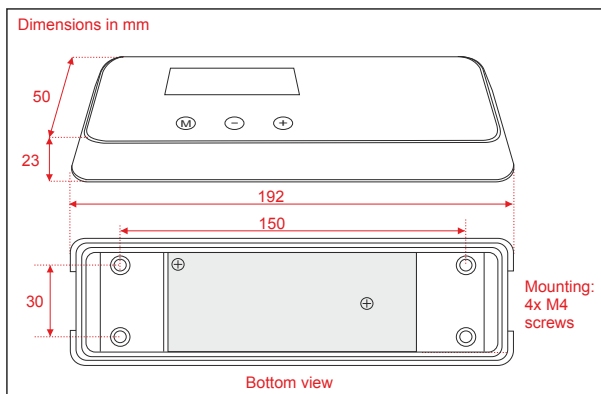


KG 0.196	Operat. Power 12-32V DC	Class Class III	IP IP-20	Dimensions L 192 mm W 50 mm H 23 mm
--------------------	-----------------------------------	---------------------------	--------------------	---



Mode Settings: Color (stand-alone with speed and intensity), Show (9-20 sequences), DMX

- DMX control mode:
- a. 1-1L 1-DMX-channels for LED group 1) (group 2+3+4 are disabled)
 - b. 2-2L 2-DMX-channels for LEDgroup 1+2) (group 3+4 are disabled)
 - c. 3-3L 3-DMX-channels for LED group 1+2+3) (group 4 is disabled)
 - d. 4-4L 1-DMX-channels for LED group 1+2+3+4)
 - e. 2-4L 2-DMX-channels for 2 LED groups 1+2 & 3+4)
 - f. 1-4L 1-DMX-channels (4 groups 1+2+3+4)
 - g. RGB 3-DMX-channels for 3 LED groups (Red & Green & Blue)
 - h. RGBW 4-DMX-channels for 4 LED groups (Red & Green & Blue & White)
 - i. RGBA 4-DMX-channels for 4 LED groups (Red & Green & Blue & Amber)
 - j. RRGB 3-DMX-channels for 4 LED groups (2x Red & Green & Blue)
 - k. RGGW 3-DMX-channels for 4 LED groups (1x Red & 2x Green & 1xBlue)
 - l. CCWW 2-DMX-channels for 4 LED groups (2x same color & 2x White)
 - m. CWWW 2-DMX-channels for 4 LED groups (1-group & 3-groups)

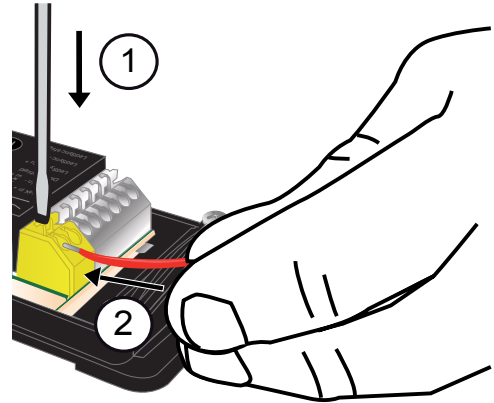




Connecting and configuring the POWERdrive 45



A Removing the cover



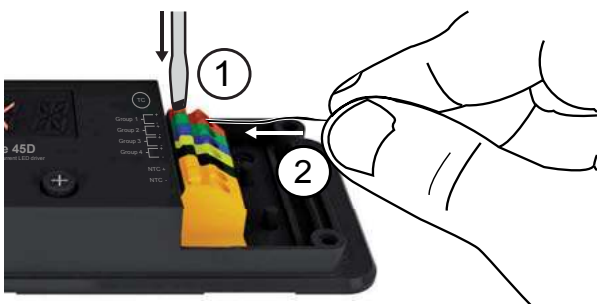
E Optional: Connecting external control device or network cabling



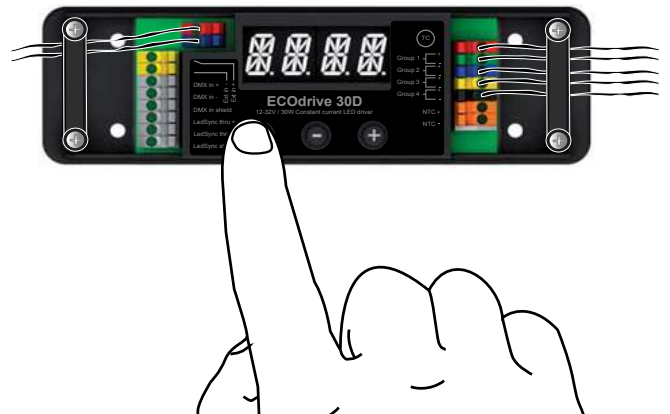
B Removing the strain reliefs



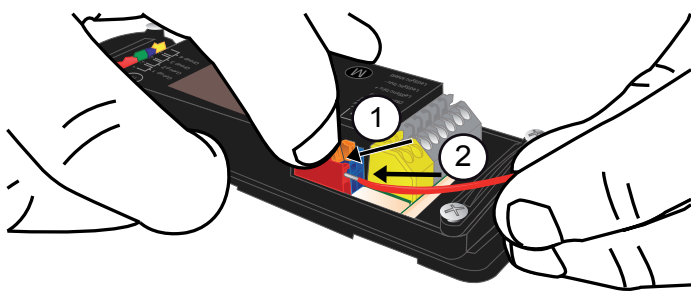
F Fastening the strain reliefs



C Connecting LED wires



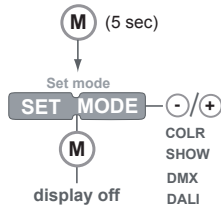
G Configuring the ECOdrive



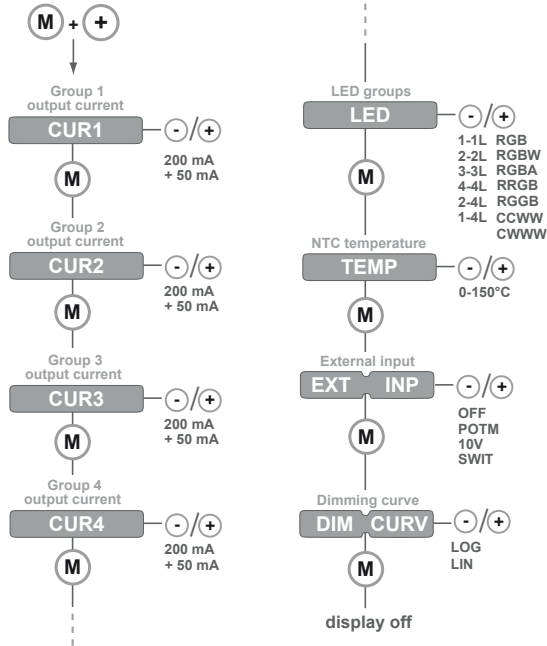
D Connecting power supply wires

Manual configuration

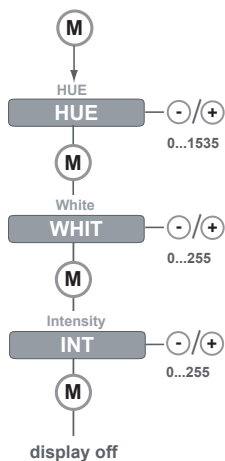
1. Select mode of operation:



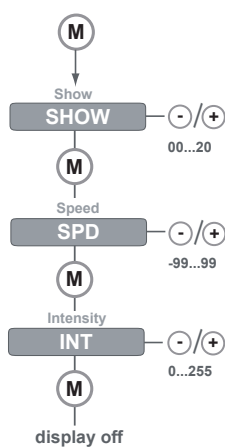
2. Set LED current and LED groups:



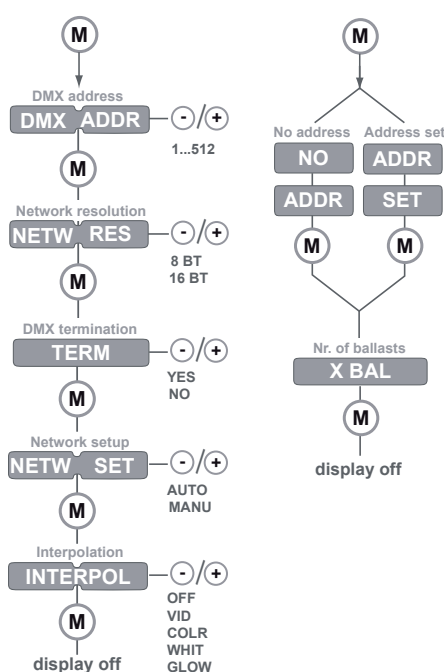
3. Standalone operation - Colour* -



Standalone operation - Show -

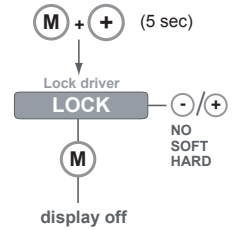


Networked operation - DMX or DALI -

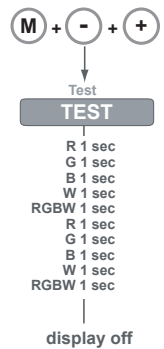


Other features

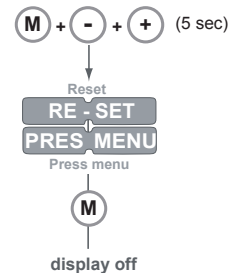
Locking the configuration



Visual test run



Reset to factory defaults



* The colour menu depends on the LED group settings you have selected in step 2.