

A9950031 ECOdrive DC30W

Constant Current RGB(W) LED driver/controller

The ECOdrive DC30W is a highly integrated, cost effective, enclosed and by display easy-to-configure constant current driver/controller for indoor LED lighting applications. The ECOdrive can be integrated in a network or used as a standalone device. With a wide supply voltage of(12V-32V DC), the ECOdrive DC30W is the ideal choice for powering 200mA - 1050mA HB LED's

Technical specifications:

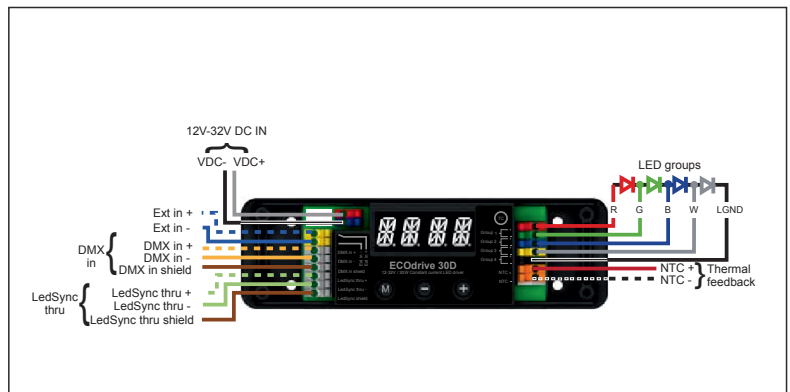
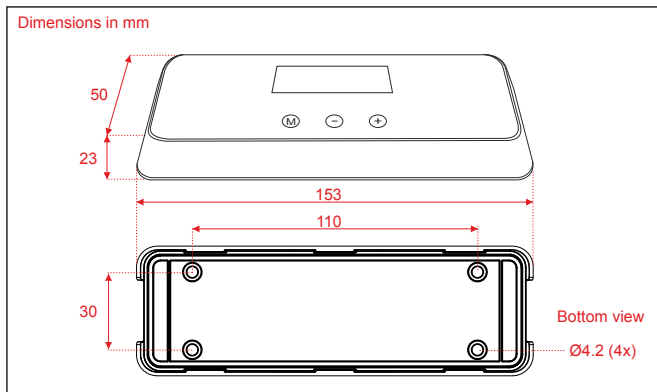
- LED current settings:200-1050mA (in 50mA steps)
- Power output range: 0-30 Watt
- Operating supply: 12V-32V DC (Efficiency up to 95%)
- Independed LED groups: up to 4
- Environmental rat.: Ta range: -20°C to +50°C (-4°F to +122°F)
Tc max. 65°C (149°F)
T heatsink max: 60°C (140°F)
- Cooling: Passive (integrated heat spreader)
- Relative humidity: non condensing
- Network input: USITT DMX-512, LedSync
- Network output: USITT DMX-512, LedSync
- Network resolution: 8 bit (4 Network channels used by driver) or 16 bit (8 Network channels used by driver)
- Certifications: CE: IEC 61347, EN 55015, IEC61003, EN 61547

KG 	Operat. Power 12-32V DC	Class Class III		Dimensions L 155 mm W 50 mm H 23 mm
0.126			IP-20	



Mode Settings: Color (stand-alone with speed and intensity), Show (9-20 sequences), DMX

- DMX control mode:
- a. 1-1L 1-DMX-channels for LED group 1) (group 2+3+4 are disabled)
 - b. 2-2L 2-DMX-channels for LEDgroup 1+2) (group 3+4 are disabled)
 - c. 3-3L 3-DMX-channels for LED group 1+2+3) (group 4 is disabled)
 - d. 4-4L 1-DMX-channels for LED group 1+2+3+4)
 - e. 2-4L 2-DMX-channels for 2 LED groups 1+2 & 3+4)
 - f. 1-4L 1-DMX-channels (4 groups 1+2+3+4)
 - g. RGB 3-DMX-channels for 3 LED groups (Red & Green & Blue)
 - h. RGBW 4-DMX-channels for 4 LED groups (Red & Green & Blue & White)
 - i. RGBA 4-DMX-channels for 4 LED groups (Red & Green & Blue & Amber)
 - j. RRGB 3-DMX-channels for 4 LED groups (2x Red & Green & Blue)
 - k. RRGB 3-DMX-channels for 4 LED groups (1x Red & 2x Green & 1xBlue)
 - l. CCWW 2-DMX-channels for 4 LED groups (2x same color & 2x White)
 - m. CWWW 2-DMX-channels for 4 LED groups (1-group & 3-groups)
- Ext input mode:
- 1. POTM: 0-10V (turn off or dim the light)
 - 2. SWITT: Show sequence

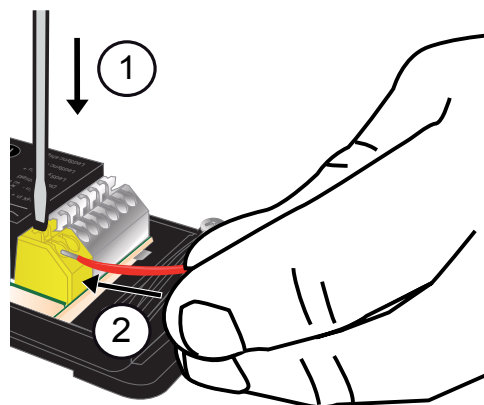




Connecting and configuring the ECOdrive 30



A Removing the cover



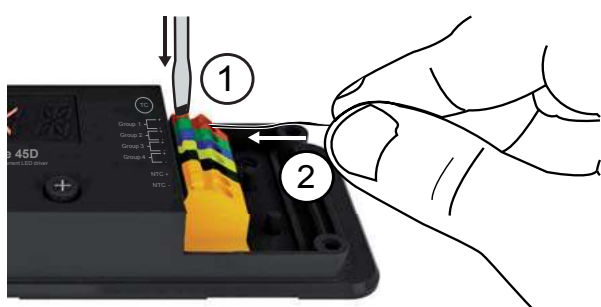
E Optional: Connecting external control device or network cabling



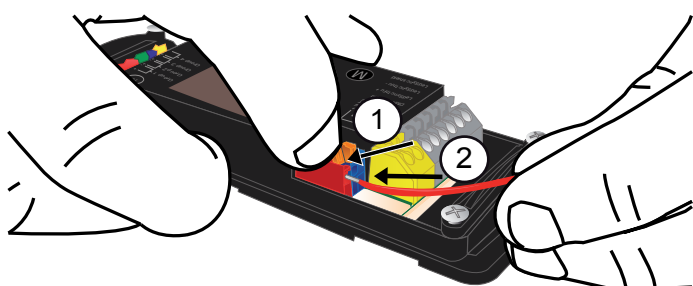
B Removing the strain reliefs



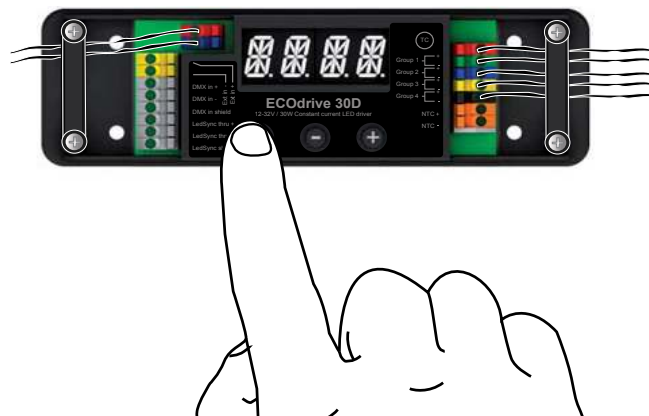
F Fastening the strain reliefs



C Connecting LED wires



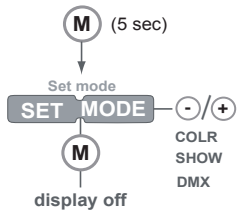
D Connecting power supply wires



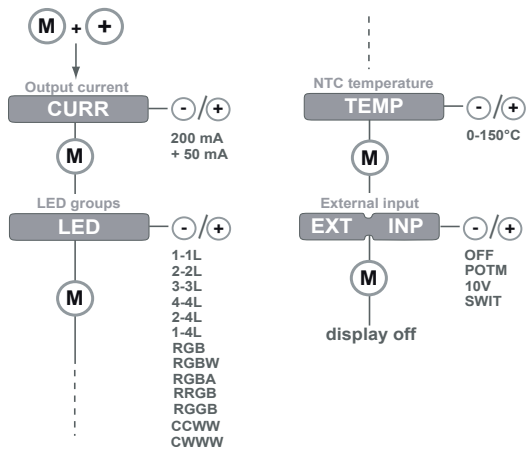
G Configuring the ECOdrive

Manual configuration

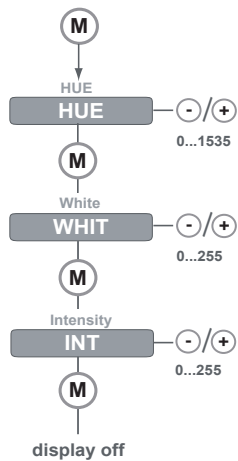
1. Select mode of operation:



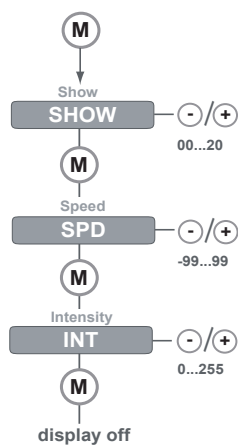
2. Set LED current and LED groups:



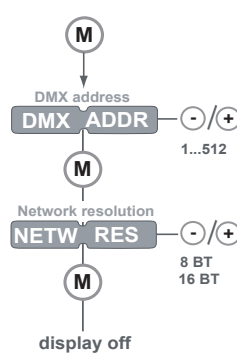
3. Standalone operation - Colour*-



or Standalone operation - Show -



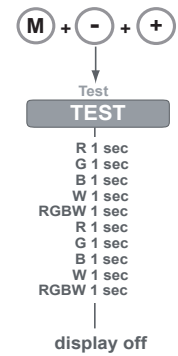
or Networked operation - DMX mode-



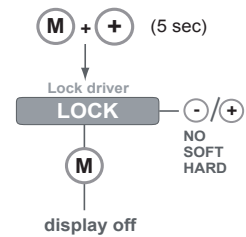
* The colour menu depends on the LED group settings you have selected in step 2.

Other features

Visual test run of connected LEDs



Locking the configuration:



Reset to factory defaults

