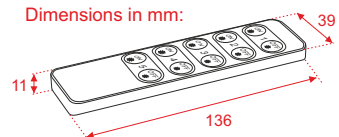


A9915800 Play-V LED 5-channel RF Controller

- Switch & Dimming Controller for 5 Receivers
- Each Receiver is addressable to Controller-Button 1-5
- 256 levels logarithmic dimming, smoothly without any flash
- Switch ON/OFF slowly without any flash
- Dimming range 0.1-100%

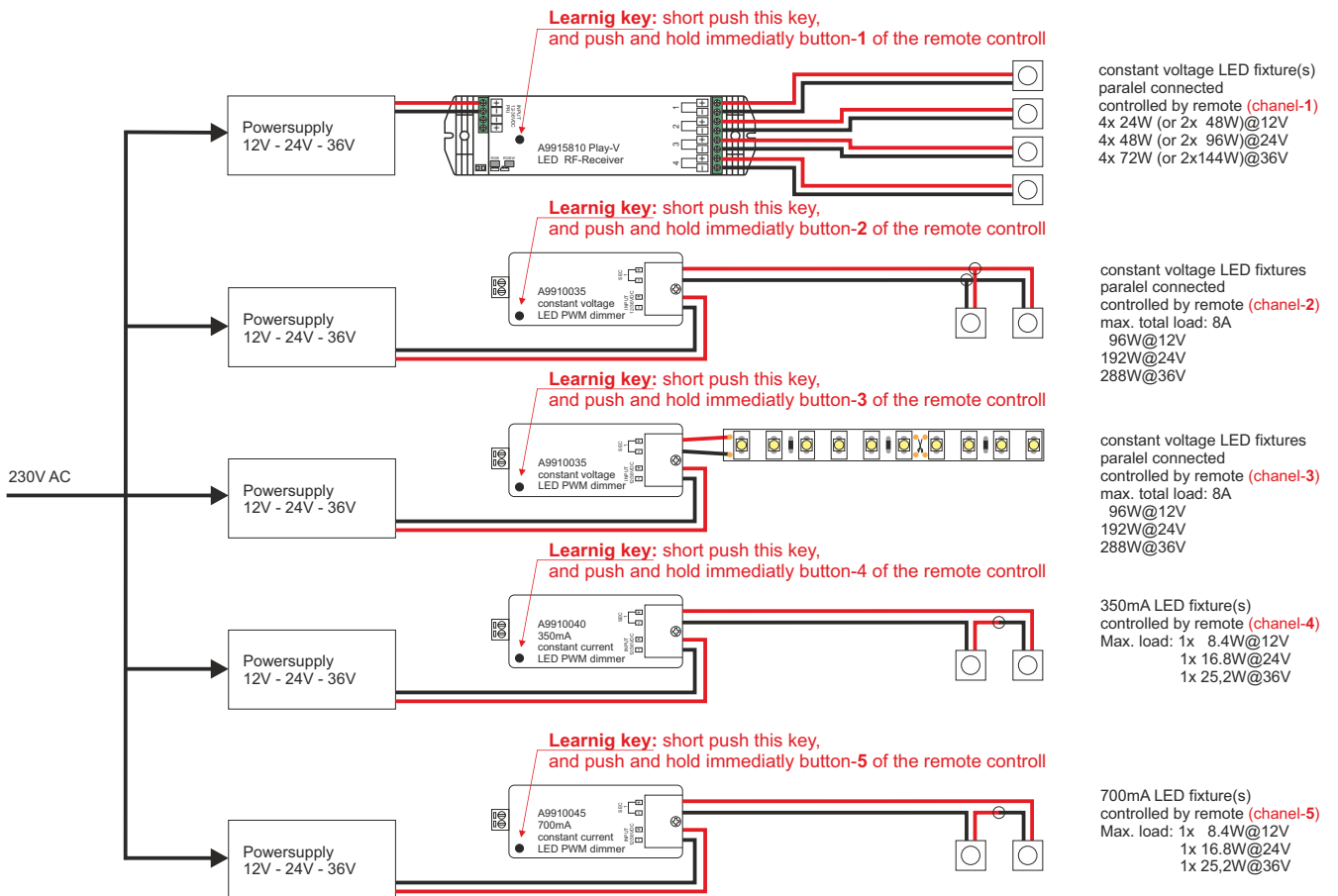
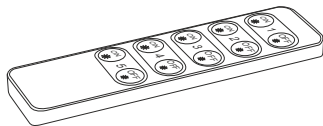
Technical Specifications:

Battery Voltage: 3V DC (Lithium Battery CR2025)
 Operation Frequency: 434Mhz/868Mhz
 Range: 10-15 mtr
 Ta: -20° - +50°
 Tc: +75°
 Dimension L x W x H (mm): 136 x 39 x 11
 Weight: 0.04 Kg
 Protection: IP-20 Class II
 Approvals: CE / FCC / RoHS



It's possible to control 5 groups of different constant voltage or constant current LED drivers by one wireless RF-controller A9915800 (max distance RF-controller to RF-drivers: 10 meter)

Turn ON a group of LED's by short pushing the ON button (1-5)
 Turn OFF a group of LED's by short pushing the OFF button (1-5)
 Push and hold the ON button (1-5) to decrease light intensity
 Push and hold the OFF button (1-5) to increase light intensity



Constant Voltage RF-Receiver / PWM LED-Dimmer

A9915810 Play-V RF Receiver (1-channel / 4-output) 4x2A constant voltage PWM LED-dimmer

- Controlled by A9915800 Play-V RF Controller
- Each Receiver is addressable to Controller-Button 1-5
- Controlling ON/OFF & Dimming

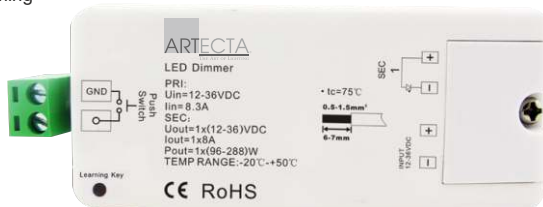


Technical Specifications:

Input Power: 12V-36V DC
 Output: Constant Voltage
 Max. load: 4x2A (2x4A)
 2x 96W@24V
 4x 48W@24V
 Operation Frequency: 434Mhz/868Mhz
 Range: 10-15 mtr
 Ta: -20° - +50°
 Tc: +75°
 Dimension L x W x H (mm): 178 x 46 x 19
 Weight: 0.09 Kg
 Protection: IP-20 Class II
 Approvals: CE / FCC / RoHS

A9910035 Play-V RF Receiver (1-channel / 1-output) 1x8A constant voltage PWM LED-dimmer

- Controlled by A9915800 Play-V RF Controller
- Each Receiver is addressable to Controller-Button 1-5
- Controlling ON/OFF & Dimming



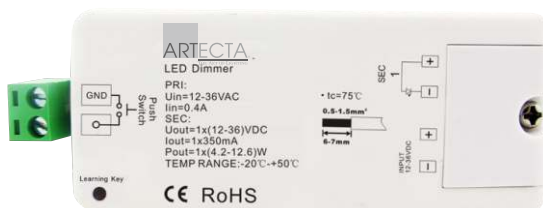
Technical Specifications:

Input/Output Power: 12V-36V DC
 Max. load: 1x8A
 1x 96W@12V
 1x 192W@24V
 1x 288W@36V
 Operation Frequency: 434Mhz/868Mhz
 Range: 10-15 mtr
 Ta: -20° - +50°
 Tc: +75°
 Dimension L x W x H (mm): 82 (94) x 36 x 20
 Weight: 0.04 Kg
 Protection: IP-20 Class II
 Approvals: CE / FCC / RoHS

Constant Current RF-Receiver / PWM LED-Dimmer

A9910040 Play-V Receiver (1-channel / 1-output) 350mA constant current PWM LED-dimmer

- Controlled by A9915800 Play-V RF Controller
- Addressable to button 1-5 of the Receiver
- Controlling 5 Channels
- ON/OFF and adjustable brightness of each channel

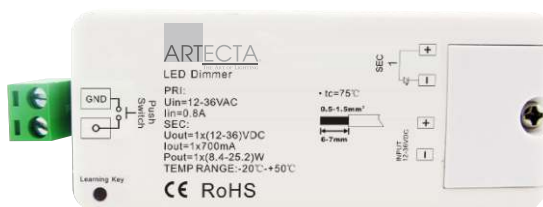


Technical Specifications:

Input/Output Power: 12V-36V DC
 Output: 350mA
 1x 4.2W@12V
 1x 8.4W@24V
 1x 12.6W@36V
 Operation Frequency: 434Mhz/868Mhz
 Range: 10-15 mtr
 Ta: -20° - +50°
 Tc: +75°
 Dimension L x W x H (mm): 82 (94) x 36 x 20
 Weight: 0.04 Kg
 Protection: IP-20 Class II
 Approvals: CE / FCC / RoHS

A9910045 Play-V Receiver (1-channel / 1-output) 700mA constant current PWM LED-dimmer

- Controlled by A9915800 Play-V RF Controller
- Addressable to button 1-5 of the Receiver
- Controlling 5 Channels
- ON/OFF and adjustable brightness of each channel



Technical Specifications:

Input Power: 12V-36V DC
 Output: 700mA
 Max. load: 1x 8.4W@12V
 1x 16.8W@24V
 1x 25.2W@36V
 Operation Frequency: 434Mhz/868Mhz
 Range: 10-15 mtr
 Ta: -20° - +50°
 Tc: +75°
 Dimension L x W x H (mm): 82 (94) x 36 x 20
 Weight: 0.04 Kg
 Protection: IP-20 Class II
 Approvals: CE / FCC / RoHS