

A9915076 ART-Pro-1W Domotion Wall Controller

- Up to 12 Scenes programmable with Fade & Speed adjust
- Built-in 7 Effects
 1. Fixed Color
 2. Color changing
 3. Rainbow change
 4. Custom Rainbow
 5. Random Color
 6. White
 7. Auto Program
- Play-back Mode & User Mode (possibility to edit Scenes)
- Included IR Remote Control
- Multilingual display (English, Chinese-1, Chinese-2, French, German, Spanish, Japanese)
- Built-in clock IC with Time and Date and allows up to 16 Timer for raising and shutting the specified Scene.
- Password protection
- LCD Backlight can be set automatically adjust on the ambient light.
- Infrared remote control
- USB Port is applied to update program
- Power failure Protection


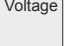

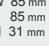
Techn. Specifications:

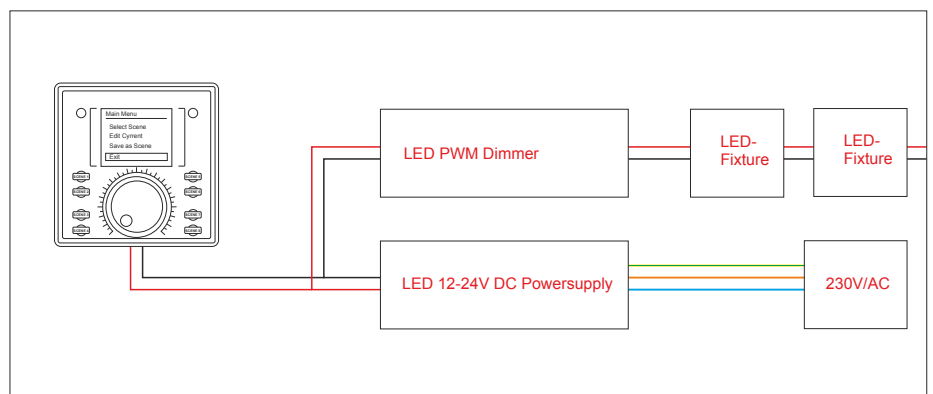
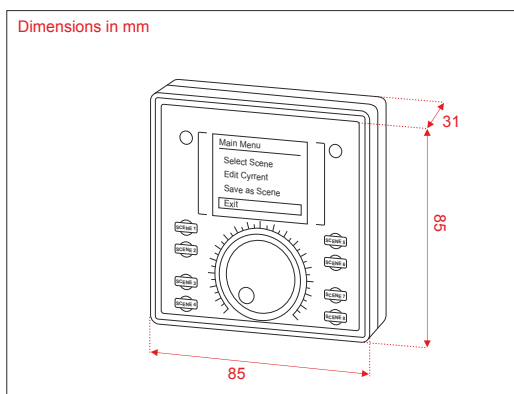
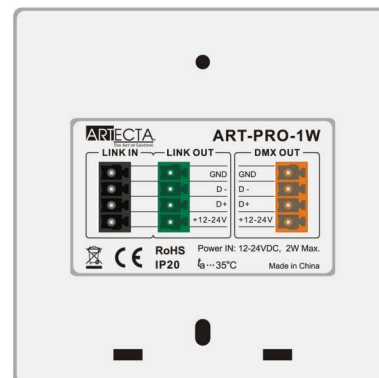
Power Supply:	DC 12-24V, 200mA min.
Housing:	White Polycarbonate
LCD Display:	128x160 Characters
Power Consumption:	2W
Compliant Protocol:	Standart DMX-512(1990)

Connections (backside):

DMX OUT & VDC Power-IN:	4-pin orange terminal
LINK-IN:	4-pin black terminal
LINK-OUT:	4-pin black terminal

Operation temperature:	-10°C to 50°C
Storage temperature:	-20°C to +70°C
Dimensions (LxWxH):	85 x 85 x 31mm
Ingress Protection rate:	IP20
Weight:	0.1Kg

 KG	 Voltage	 IP-20	 Dimensions
0.1	12-24V DC		W 85 mm L 85 mm H 31 mm



A

A9900031 PSU-24
24V Wallbox-Powersupply
 Power input: AC 100-240V 50/60Hz
 Power output: DC 24V / 0.4A
 Dimensions (DxH): Ø53 x 29.3 mm
 IP Rating: IP20
 Operating Temp.: -10°C to +40°C
 Storage Temp.: -20°C to +70°C

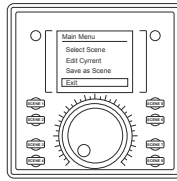
A9915075 ART-Pro-1B

Domotion Wall Controller

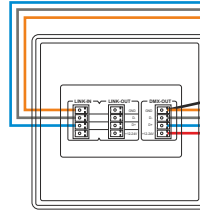
Up to 12 Scenes programmable with Fade & Speed adjust
 Built-in 7 Effects

1. Fixed Color
2. Color changing
3. Rainbow change
4. Custom Rainbow
5. Random Color
6. White
7. Auto Program

Play-back Mode & User Mode (possibility to edit Scenes)
 Included IR Remote Control
 Multilingual display (English, Chinese-1, Chinese-2, French, German, Spanish, Japanese).
 Built-in clock IC with Time and Date
 and allows up to 16 Timer for raising and shutting the specified Scene.
 Password protection
 LCD Backlight can be set automatically adjust on the ambient light.
 Infrared remote control
 USB Port is applied to update program
 Power failure Protection



Frontside
ART-PRO-1



Backside
ART-PRO-1



230V AC

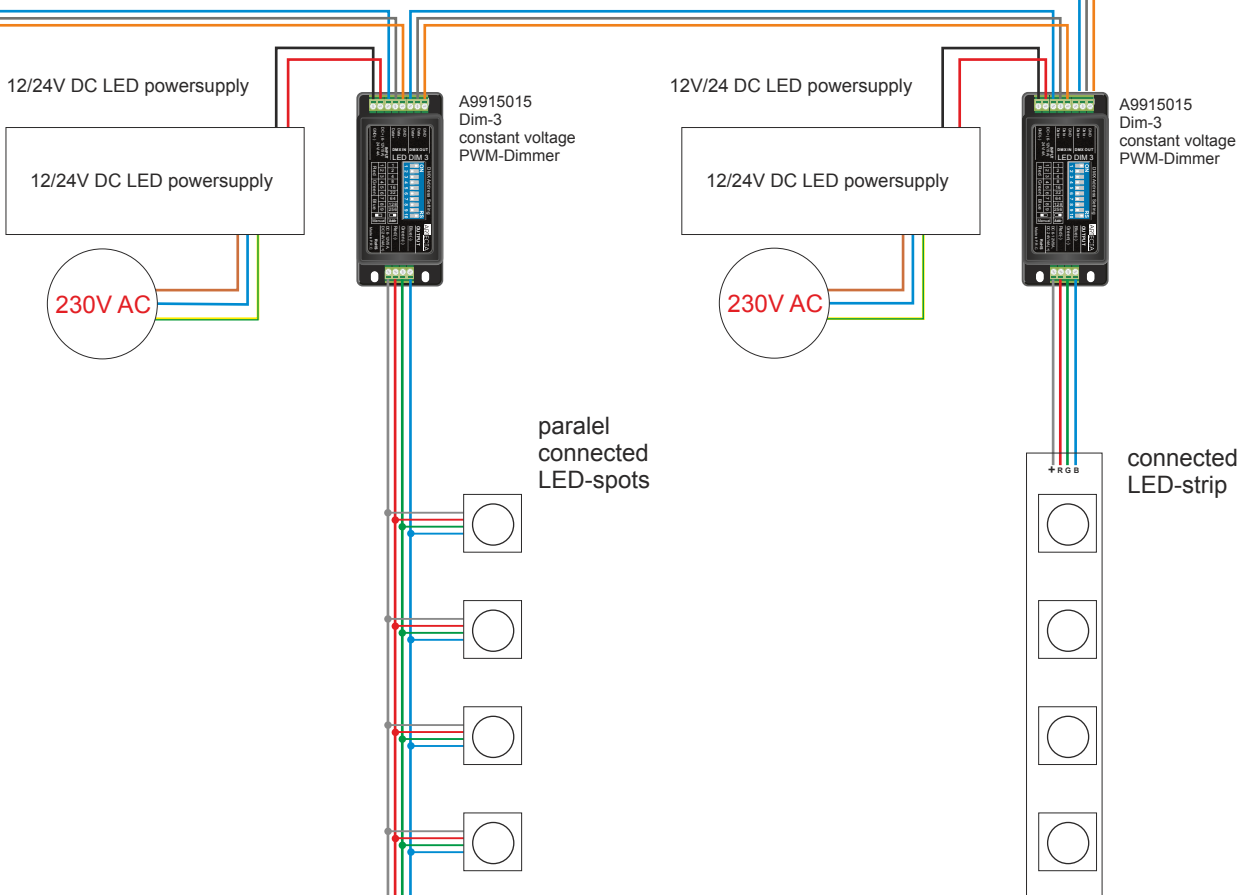
+12/24V
POWER-IN
connect to
GND & V+

+ 24V DC
connect V+ to DMX-OUT +12-24V
connect V- to DMX-OUT GND

Link-out connect to
Link-in at next
ART-PRO-1
GND
DMX-
DMX+

DMX-line
connect to
DMX-OUT
GND
DMX-
DMX+

DMX-line to next
Dimmerpacks
(& Powersupply)



B

A9900031 PSU-24
24V Wallbox-Powersupply
 Power input: AC 100-240V 50/60Hz
 Power output: DC 24V / 0.4A
 Dimensions (DxH): Ø53 x 29.3 mm
 IP Rating: IP20
 Operating Temp.: -10°C to +40°C
 Storage Temp.: -20°C to +70°C

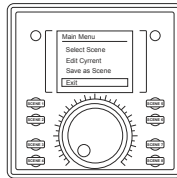
A9915075 ART-Pro-1B

Domotion Wall Controller

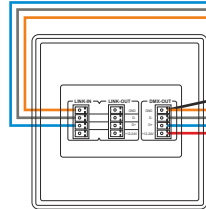
Up to 12 Scenes programmable with Fade & Speed adjust
 Built-in 7 Effects

1. Fixed Color
2. Color changing
3. Rainbow change
4. Custom Rainbow
5. Random Color
6. White
7. Auto Program

Play-back Mode & User Mode (possibility to edit Scenes)
 Included IR Remote Control
 Multilingual display (English, Chinese-1, Chinese-2, French, German, Spanish, Japanese)
 Built-in clock IC with Time and Date
 and allows up to 16 Timer for raising and shutting the specified Scene.
 Password protection
 LCD Backlight can be set automatically adjust on the ambient light.
 Infrared remote control
 USB Port is applied to update program
 Power failure Protection



Frontside
ART-PRO-1



Backside
ART-PRO-1

DMX-line connect to DMX-OUT
 GND
 DMX-
 DMX+



230V AC

+12/24V
POWER-IN
 connect to
 GND & V+

+ 24V DC
 connect V+ to DMX-OUT +12-24V
 connect V- to DMX-OUT GND

Link-out connect to
 Link-in at next
ART-PRO-1
 GND
 DMX-
 DMX+

A99 2-Way DMX-Splitter

DMX distributor with 1x input and 2x output
 Absolute electric isolation between input and output and electric isolation between output and output.
 Every DMX output features a independant driver, data & data-indicator.
 DMX switch is incorporated allowing to isolate from the malfunction caused by DMX input

Technical specifications:
 Power input: 12-24V DC
 Power thru: 6A max.
 Power input/thru: 2-pin terminal
 Data in: 3-pin terminal
 Data out: 3-pin terminal
 Housing: PolyCarbonate
 Control: DMX-512 (1990)
 Operating Temp: 0° to +40°

24V DC



DMX-line to next
 Dimmerpacks
 (& Powersupply)

12/24V DC LED powersupply

12/24V DC LED powersupply

230V AC



A9915015
 Dim-3
 constant voltage
 PWM-Dimmer

12V/24 DC LED powersupply

12/24V DC LED powersupply

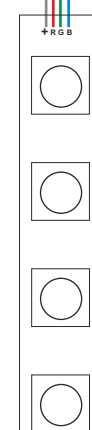
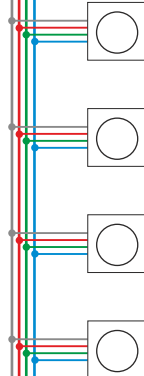
230V AC



A9915015
 Dim-3
 constant voltage
 PWM-Dimmer

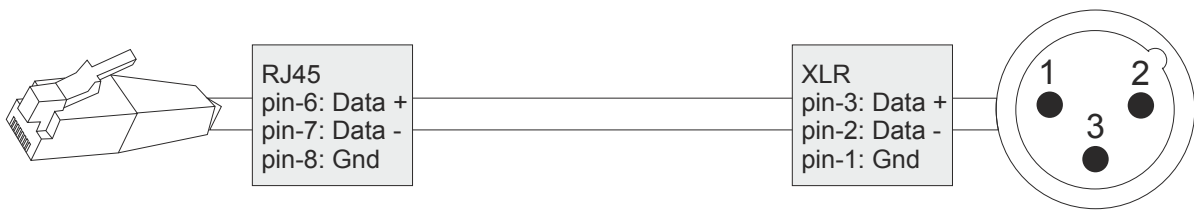
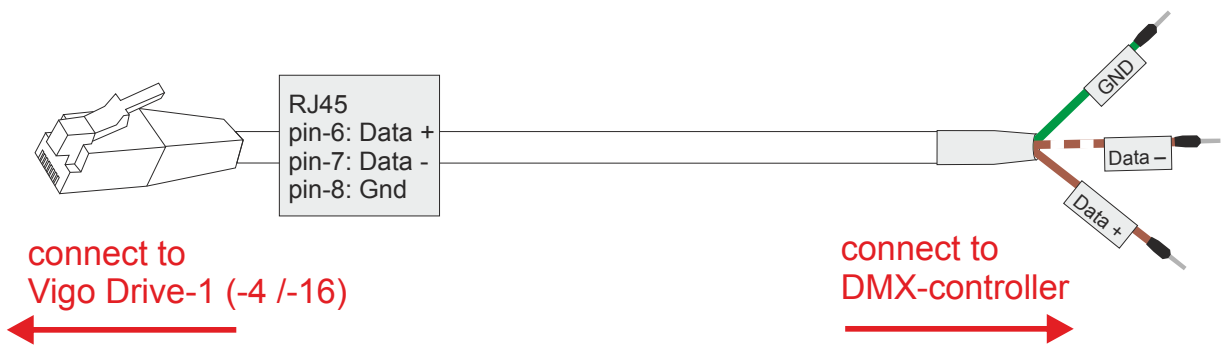
parallel
 connected
 LED-spots

connected
 LED-strip

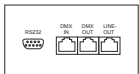


C Vigo Drive connection to ART-PRO-1W DMX-controller

RJ45 Vigo Drive connection-cable to ART-PRO-1W DMX-controller

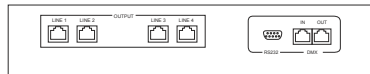


Vigo Drive-1 (1x Line-Out)



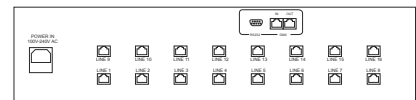
load max. 36W

Vigo Drive-4 (4x Line-Out)



each Line, load max. 36W

Vigo Drive-16 (16x Line-Out)



each Line, load max. 36W

