

## 3-Phase Surface Track 1000mm

Black (RAL9004)

Ordernr: A0331001

Housing: Aluminium

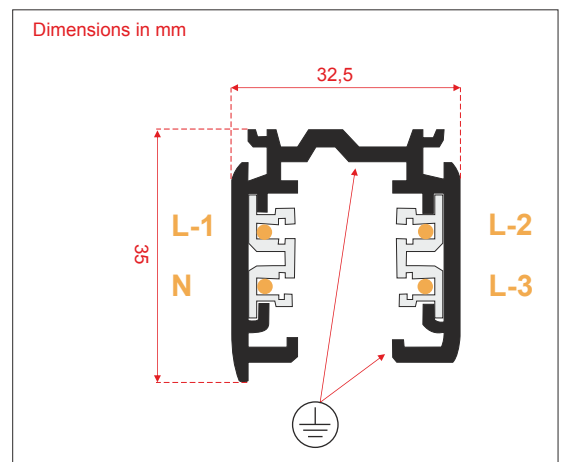
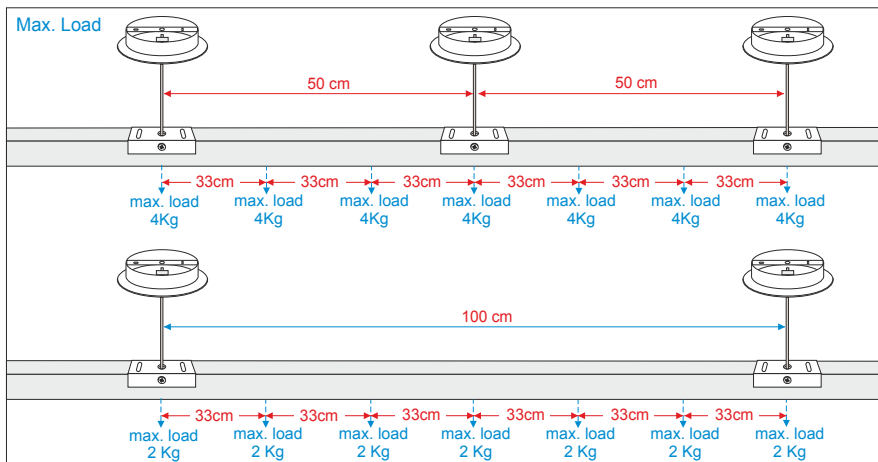
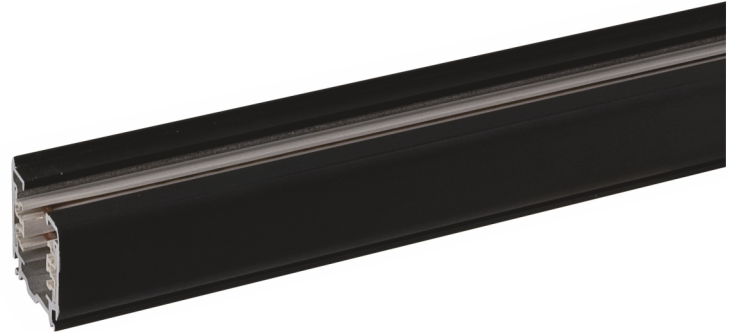
Colour: black powder-coated (RAL 9004)

Weight: 0.85 Kg

Dimensions track: 1000 x 32.5 x 35 mm

Operating Power: 220-250V AC max 16A

Classification: IP-20



### Available accessories:

<p><b>A0310002</b> Bending Tool for 3-ph. Track</p>	<p><b>A0333101</b> 3-Phase Adapter Black (RAL9004) Operating Power: 220-240V AC max. 6A IP-rate: IP-20</p>	<p><b>A0333201</b> 3-Phase left feed-in connector Black (RAL9004) Operating Power: 220-240V AC max. 16A IP-rate: IP-20</p>	<p><b>A0333211</b> 3-Phase right feed-in connector Black (RAL9004) Operating Power: 220-240V AC max. 16A IP-rate: IP-20</p>
<p><b>A0333401</b> 3-Phase straight inner connector Black (RAL9004) Operating Power: 220-240V AC max. 16A IP-rate: IP-20</p>	<p><b>A0333501</b> 3-Phase flexible corner connector Black (RAL9004) Operating Power: 220-240V AC max. 16A IP-rate: IP-20</p>	<p><b>A0333701</b> 3-Phase left T-connector + power entry Black (RAL9004) Oper. Power: 220-240V AC max. 16A IP-rate: IP-20</p>	<p><b>A0333711</b> 3-Phase right T-connector + power entry Black (RAL9004) Operat. Power: 220-240V AC max. 16A IP-rate: IP-20</p>
<p><b>A0333301</b> 3-Phase endcap Black (RAL9004) IP-20</p>	<p><b>A0333801</b> 3-Phase Ceiling kit Black (RAL9004)</p>	<p><b>A0333811</b> 3-Phase Ceiling suspension kit incl. 1.5m steel wire Black (RAL9004)</p>	<p><b>A0333821</b> 3-Phase Ceiling suspension kit incl. 1.5m steel wire &amp; Lead Black (RAL9004)</p>