

ENGLISH

New Port 30W CCT 38°

V1

**Product code: A0320210 – Black housing
A0320211 – White housing**

Preface

Thank you for purchasing this Arctecta product.

The purpose of this user manual is to provide instructions for the correct and safe use of this product.

Keep the user manual for future reference as it is an integral part of the product. The user manual shall be stored at an easily accessible location.

This user manual contains information concerning:

- Safety instructions
- Intended and non-intended use of the device
- Installation and operation of the device
- Maintenance procedures
- Troubleshooting
- Transport, storage and disposal of the device

Non-observance of the instructions in this user manual may result in serious injuries and damage of property.

©2021 Arctecta. All rights reserved.

No part of this document may be copied, published or otherwise reproduced without the prior written consent of Highlite International.

Design and product specifications are subject to change without prior notice.

For the latest version of this document or other language versions, please visit our website www.highlite.com or contact us at service@highlite.com.

Highlite International and its authorized service providers are not liable for any injury, damage, direct or indirect loss, consequential or economic loss or any other loss arising from the use of, or inability to use or reliance on the information contained in this document.

Table of contents

| | |
|---|-----------|
| 1. Introduction..... | 3 |
| 1.1. Before Using the Product | 3 |
| 1.2. Intended Use | 3 |
| 1.3. LEDs Lifespan | 3 |
| 1.4. Text Conventions | 3 |
| 1.5. Symbols and Signal Words..... | 4 |
| 1.6. Symbols on the Information Label | 4 |
| 2. Safety | 4 |
| 2.1. Warnings and Safety Instructions | 4 |
| 2.2. Requirements for the User..... | 5 |
| 3. Description of the Device | 6 |
| 3.1. View and Dimensions | 6 |
| 3.2. Product Specifications | 7 |
| 3.3. Dimensions..... | 8 |
| 4. Installation and Deinstallation | 9 |
| 4.1. Safety Instructions..... | 9 |
| 4.2. Personal Protective Equipment | 9 |
| 4.3. Installation Site Requirements | 9 |
| 4.4. Mounting..... | 9 |
| 4.5. Dismounting..... | 11 |
| 4.6. Direction Adjustment | 12 |
| 4.7. Connecting to Power Supply | 12 |
| 4.8. Color Temperature Adjustment..... | 12 |
| 5. Troubleshooting | 13 |
| 6. Maintenance | 13 |
| 6.1. Preventive Maintenance | 13 |
| 6.1.1. Basic Cleaning Instructions | 13 |
| 6.2. Corrective Maintenance | 13 |
| 7. Transportation and Storage..... | 14 |
| 7.1. Instructions for Transportation | 14 |
| 7.2. Storage | 14 |
| 8. Disposal | 14 |
| 9. Approval..... | 14 |

1. Introduction

1.1. Before Using the Product



Important

Read and follow the instructions in this user manual before installing, operating or servicing this product.

The manufacturer will not accept liability for any resulting damages caused by the non-observance of this manual.

After unpacking, check the contents of the box. If any parts are missing or damaged, contact your Highlite International dealer.

Your shipment includes:

- Arctea New Port 30W CCT 38° (including track adapter)
- User manual

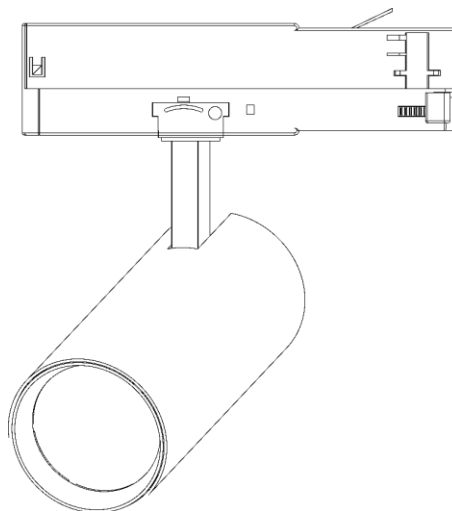


Fig. 01

1.2. Intended Use

This device is intended for use as an architectural light spot. It is suitable for indoor installation in commercial and residential buildings. This device is suitable for household illumination.

Any other use, not mentioned under intended use, is regarded as non-intended and incorrect use.

1.3. LEDs Lifespan

The light output of the LEDs gradually decreases over time (lumen depreciation). High operating temperatures contribute to this process. You can extend the lifespan of the LEDs by providing adequate ventilation and operating the LEDs at the lowest possible brightness.

1.4. Text Conventions

Throughout the user manual the following text conventions are used:

- References: References to chapters and parts of the device are in bold lettering, for example: "Refer to **2. Safety**", "turn the **adjustment handle (05)**"
- Notes: **Note:** (in bold lettering) is followed by useful information or tips

1.5. Symbols and Signal Words

Safety notes and warnings are indicated throughout the user manual by safety signs.

Always follow the instructions provided in this user manual.



DANGER

Indicates an imminently hazardous situation which, if not avoided, will result in death or serious injury.



WARNING

Indicates a potentially hazardous situation which, if not avoided, could result in death or serious injury.



CAUTION

Indicates a potentially hazardous situation, which, if not avoided, may result in minor or moderate injury.



Attention

Indicates important information for the correct operation and use of the product.



Important

Read and observe the instructions in this document.



Provides important information about the disposal of this product.

1.6. Symbols on the Information Label

This product is provided with 2 information labels. One information label is located on the back side of the track head. The other information label is located on the side of the track adapter.

The information labels contain the following symbols:



This device is designed for indoor use.



Independent controlgear



This device shall not be treated as household waste.



SELV controlgear, short-circuit proof

2. Safety



Important

Read and follow the instructions in this user manual before installing, operating or servicing this product.

The manufacturer will not accept liability for any resulting damages caused by the non-observance of this manual.

2.1. Warnings and Safety Instructions



DANGER

Danger for children

For adult use only. The device must be installed beyond the reach of children.

- Do not leave various parts of the packaging (plastic bags, polystyrene foam, nails, etc.) within children's reach. Packaging material is a potential source of danger for children.



Attention
Power supply

Before connecting the device to the power supply, make sure that the current, voltage and frequency match the input voltage, current and frequency specified on the information label on the device.



Attention
General safety

- Do not shake the device. Avoid brute force when installing or operating the device.
- If the device fails to work properly, discontinue the use immediately.



Attention
This device shall be used only for the purposes it is designed for.

This device is intended for use as an architectural light spot. It is suitable for indoor installation in commercial and residential buildings. This device is suitable for household illumination.

This device does not contain user-serviceable parts. Unauthorized modifications to the device will render the warranty void. Such modifications may result in injuries and material damage.



Attention
Before use, examine the device visually for any defects.



Attention
Do not expose the device to conditions that exceed the rated IP class conditions.

This device is IP20 rated. IP (Ingress Protection) 20 class provides protection against solid objects greater than 12 mm, such as fingers, and no protection against harmful ingress of water.

2.2. Requirements for the User

This product may be used by ordinary persons. Maintenance may be carried by ordinary persons. Installation and service shall be carried out only by instructed or skilled persons. Contact your Highlite dealer for more information.

Instructed persons have been instructed and trained by a skilled person, or are supervised by a skilled person, for specific tasks and work activities associated with the installation, service and maintenance of this product, so that they can identify risks and take precautions to avoid them.

Skilled persons have training or experience, which enables them to recognize risks and to avoid hazards associated with the installation, service and maintenance of this product.

Ordinary persons are all persons other than instructed persons and skilled persons. Ordinary persons include not only users of the product but also any other persons that may have access to the device or who may be in the vicinity of the device.

3. Description of the Device

The Arctea New Port 30W CCT 38° is a compact LED spot suitable for indoor installation in shops, exhibition halls, showrooms and similar venues. It features 3 selectable pre-defined color temperatures: warm white (2700 K), neutral white (4000 K), and cold white (6000 K). The LED spot can be dimmed with an external dimmer.

The device is equipped with a 3-phase track adapter. The 3-phase track adapter is compatible with the Arctea 3-phase track systems and with the most 3-phase tracks available on the market.

3.1. View and Dimensions

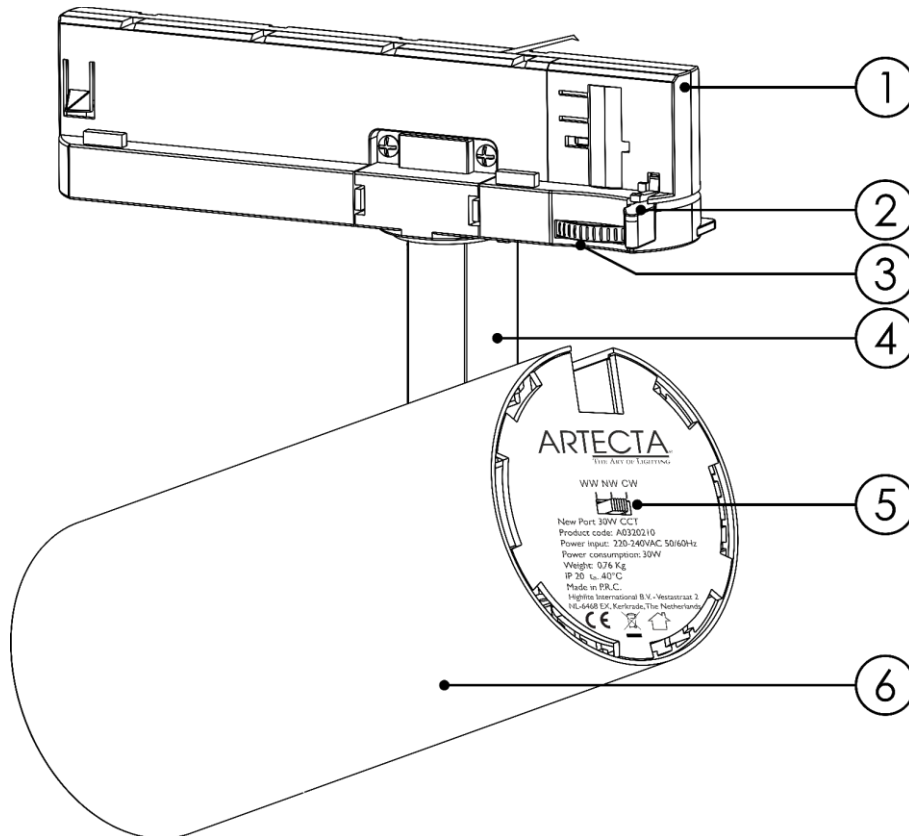


Fig. 02

- 01) Track adapter
- 02) Track lock
- 03) Circuit selector (0, 1, 2 and 3)
- 04) Pivot connector
- 05) Color temperature selector (WW, NW, CW)
- 06) Track head

3.2. Product Specifications

| | | |
|---|--|--|
| Model: | Artecta New Port 30W CCT 38° | |
| Electrical: | | |
| Input voltage: | 220–240 V AC, 50/60 Hz | |
| Power consumption: | 35 W (at full output) | |
| PFC: | 0,94 | |
| Physical: | | |
| Dimensions: | 250 x 189 x 72 mm (L x W x H) (with the track adapter) | |
| Weight: | 0,68 kg (with the track adapter) | |
| Track adapter: | | |
| Input voltage: | 220–240 V AC, 50/60 Hz | |
| Input current max: | 0,17 A | |
| Protection class: | II | |
| Output voltage: | 16–40 V DC | |
| Output voltage max: | 60 V DC | |
| Output current max: | 0,75 A | |
| Type output: | SELV | |
| Phases: | 3 | |
| Optics: | | |
| Light source: | 30 W COB LED, non-replaceable | |
| Dimmer: | External, TRIAC type | |
| Beam angle: | 38° | |
| Luminous flux: | 2030 lm @ 2700 K 2260 lm @ 4000 K 2250 lm @ 6000 K | |
| CCT (selectable): | WW – 2700 K NW – 4000 K CW – 6000 K | |
| CRI: | 93 | |
| Movement: | | |
| Tilt range: | 0–90° | |
| Turning range: | 0–350° | |
| Construction: | | |
| Housing: | Aluminum | |
| Color: | A0320210 – Black A0320211 – White | |
| IP rating: | IP20 | |
| Finish: | Powder coated | |
| Thermal: | | |
| Maximum ambient temperature t_a : | 40 °C | |
| Minimum ambient temperature: | -20 °C | |
| Minimum distance: | | |
| Minimum distance from flammable surfaces: | 0,5 m | |
| Minimum distance to lighted object: | 0,5 m | |

3.3. Dimensions

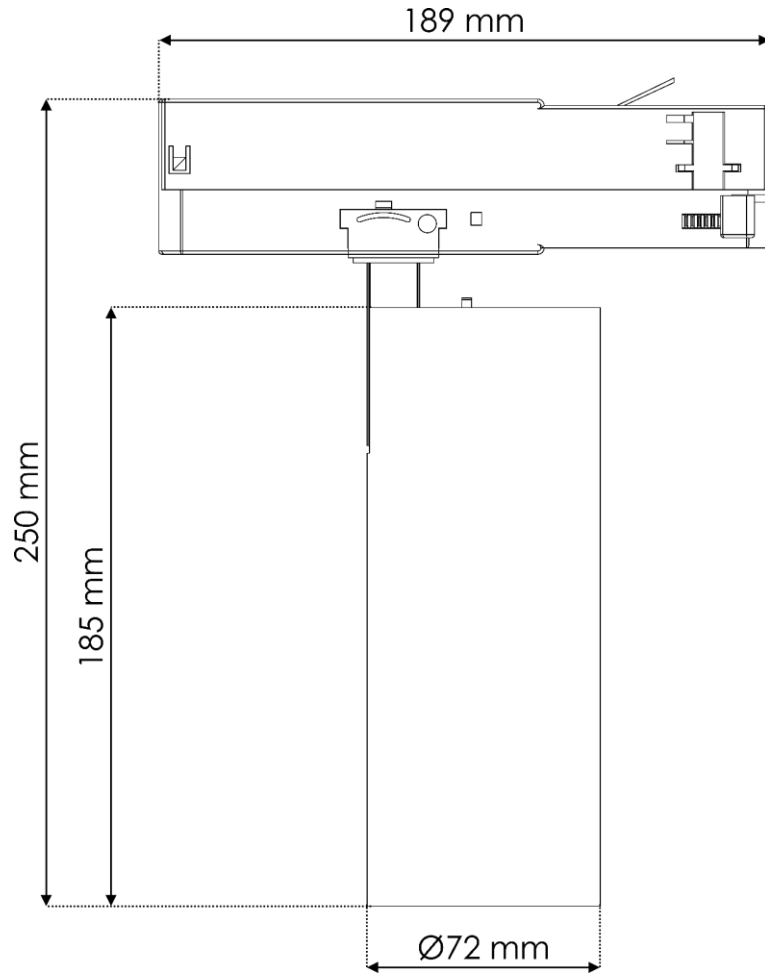


Fig. 03

4. Installation and Deinstallation

4.1. Safety Instructions



WARNING

Incorrect installation and deinstallation can cause serious injuries and damage of property.

Installation and deinstallation of the device must be carried out only by instructed or skilled persons.

Follow all applicable European, national and local safety regulations concerning electrical installations in buildings and working at heights.

Before installing or deinstalling the device make sure that the track system is disconnected from power supply.

4.2. Personal Protective Equipment

During installation and deinstallation wear personal protective equipment in compliance with the national and site-specific regulations.

4.3. Installation Site Requirements

- The device can be used only indoors.
- The device can be mounted only to a 3-phase track system.
- The minimum distance to other objects must be bigger than 0,5 m.
- The maximum ambient temperature $t_a = 40\text{ °C}$ must never be exceeded.
- The relative humidity must not exceed 50 % with an ambient temperature of 40 °C

4.4. Mounting

The device can be mounted only to a 3-phase track system.



CAUTION

Restrict the access under the work area during mounting.

To mount the device, follow the steps below:

- 01) Disconnect the track system from the power supply.
- 02) Make sure that the **circuit selector (03)** is in OFF position (0) and the **track lock (02)** is in unlocked position, as shown in Fig. 04.
- 03) Align the flange of the **track adapter (01)** with the track, as shown in Fig. 05.

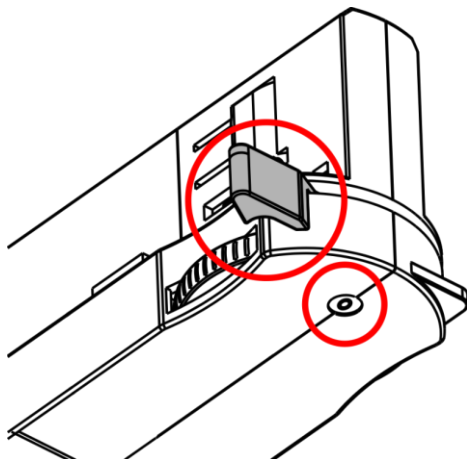


Fig. 04

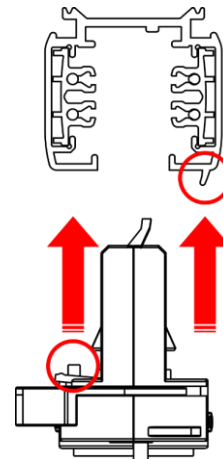


Fig. 05

- 04) Insert the **track adapter (01)** in the track and push it until it snaps into place.
- 05) Turn the **track lock (02)** clockwise to lock the device in the track, as shown in Fig. 07.

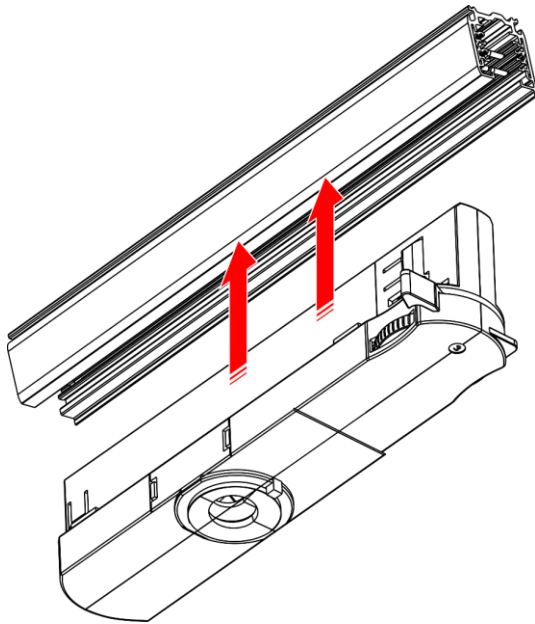


Fig. 06

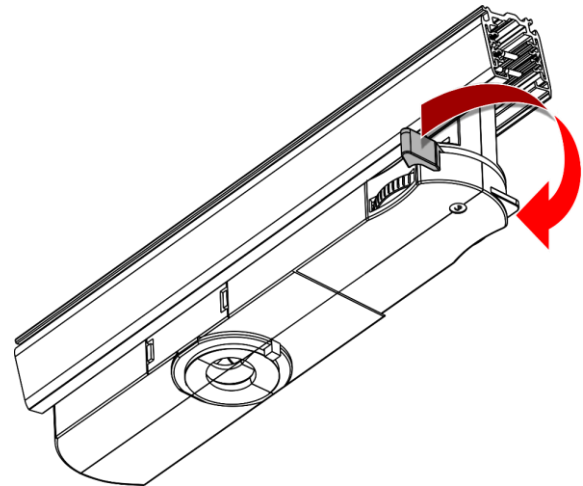


Fig. 07

- 06) Select the circuit with the **circuit selector (03)**. You can select 1-, 2- and 3-phase circuit, as shown in Fig. 08.



Attention

Do not slide the track adapter in the track to adjust the position of the device (see Fig. 09). This can damage the connectors. Remove the device from the track and install it at the new place. For more information on how to remove the device from the track, refer to **4.5. Dismounting** on page 11.

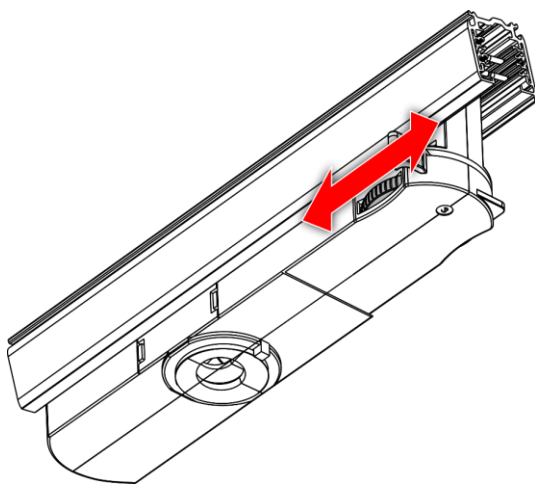


Fig. 08

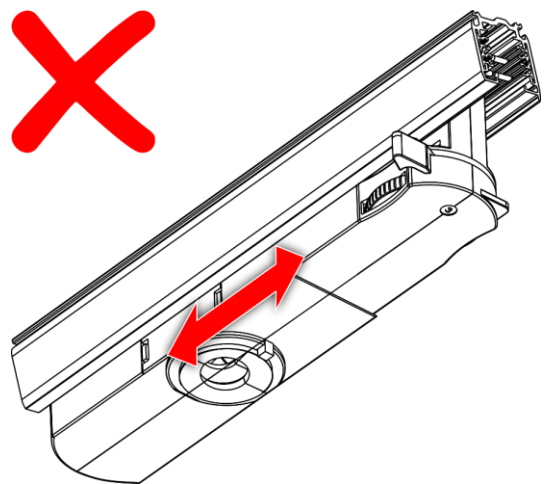


Fig. 09

4.5. Dismounting



CAUTION
Restrict the access under the work area during dismounting.

To dismount the device, follow the steps below:

- 01) Disconnect the track system from the power supply.
- 02) Let the device cool down before dismounting.
- 03) Set the **circuit selector (03)** in OFF position (0), as shown in Fig. 10.

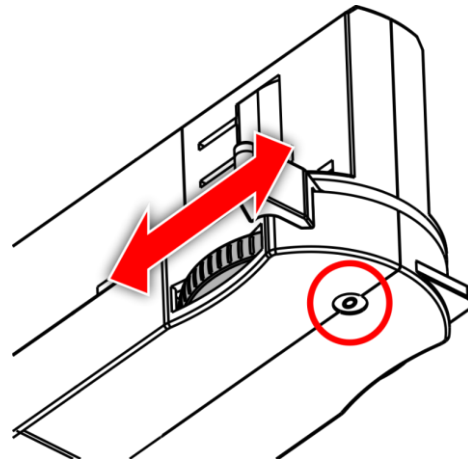


Fig. 10

- 04) Turn the **track lock (02)** counterclockwise to unlock the device (see Fig. 11).
- 05) Pull the **track adapter (01)** from the track (see Fig. 12).

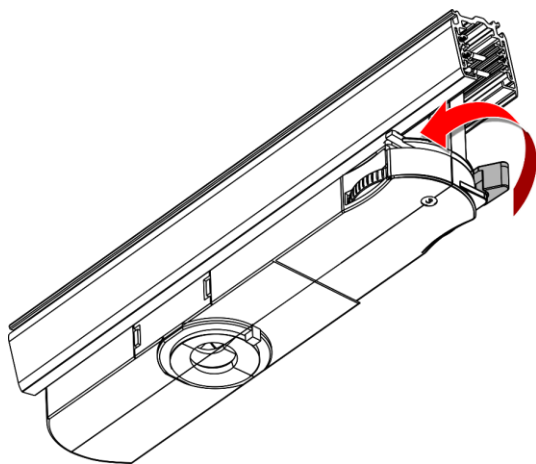


Fig. 11

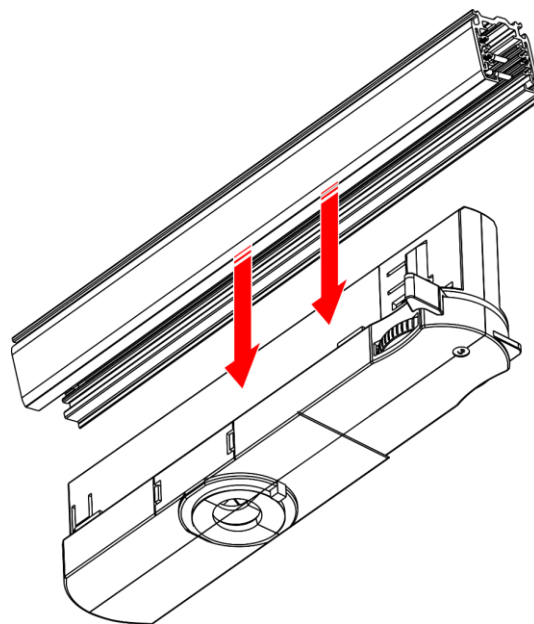


Fig. 12

4.6. Direction Adjustment

To adjust the angle of the device and the direction of the beam:

- Move the **track head (06)** around the **pivot connector (04)** to adjust the vertical position of the **track head (06)**. The adjustment range is 0–90°.
- Turn the **track head (06)** around the **pivot connector (04)** to adjust the horizontal position of the **track head (06)**. The adjustment range is 0–350°.

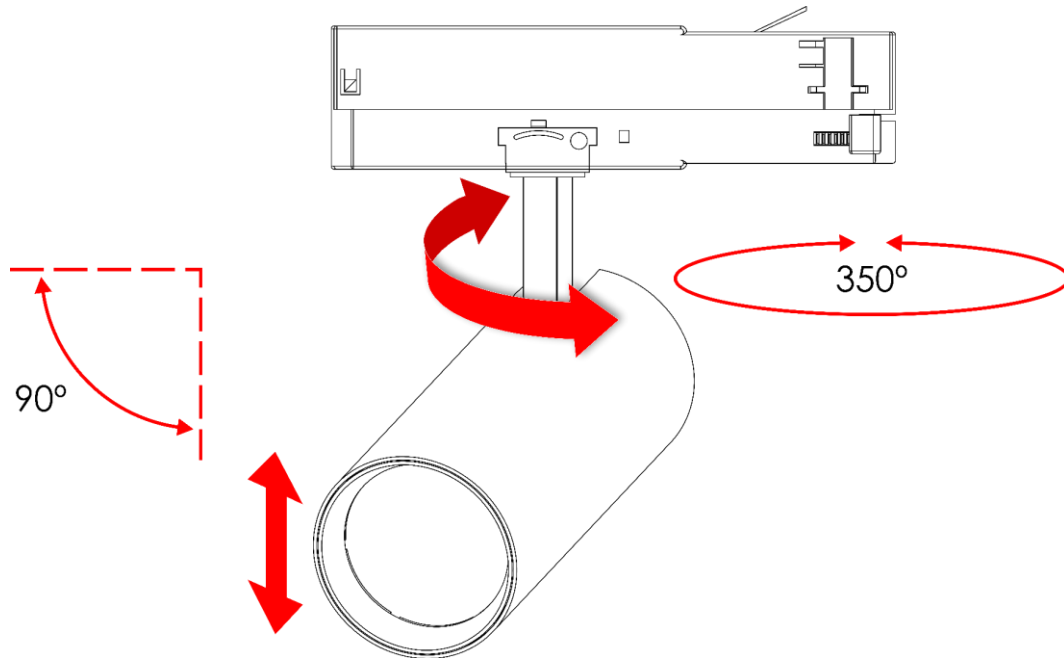


Fig. 13

4.7. Connecting to Power Supply

This device is suitable for mounting only to a 3-phase track system. The device is connected to power supply when it is mounted to the track system.

Before installing or deinstalling the device make sure that the track system is disconnected from power supply.

4.8. Color Temperature Adjustment

You can adjust the color temperature of the LEDs.

Set the **color temperature selector (05)** to one of the following positions:

- CW (cold white) position – for a predefined color temperature of 6000 K
- NW (neutral white) position – for a predefined color temperature of 4000 K
- WW (warm white) position – for a predefined color temperature of 2700 K

5. Troubleshooting

This troubleshooting guide contains solutions to problems which can be carried out by an ordinary person. The device does not contain user-serviceable parts.

Unauthorized modifications to the device will render the warranty void. Such modifications may result in injuries and material damage.

Refer servicing to instructed or skilled persons. Contact your Highlite International dealer in case the solution is not described in the table.

| Problem | Probable cause(s) | Solution |
|---|---|--|
| The device does not function | No power to the device | <ul style="list-style-type: none"> Check if the track system is connected to the power supply |
| | LEDs are damaged | <ul style="list-style-type: none"> Disconnect the device and contact your Highlite International dealer. The light source is not replaceable. |
| No light or LEDs cut out intermittently | The power supply settings do not match local AC voltage and frequency | <ul style="list-style-type: none"> Disconnect the device. Check the settings and correct, if necessary |

6. Maintenance

6.1. Preventive Maintenance



Attention

Before use, examine the device visually for any defects.

6.1.1. Basic Cleaning Instructions

To clean the device, follow the steps below:

- 01) Disconnect the device from the electrical power supply.
- 02) Allow the device to cool down for at least 15 minutes.
- 03) Remove the dust collected on the external surface with dry compressed air and a soft brush.



Attention

- Do not immerse the device in liquid.
- Do not use alcohol or solvents.

6.2. Corrective Maintenance

The light source is not replaceable.

The device does not contain user-serviceable parts. Do not open the device and do not modify the device.

Refer repairs and servicing to instructed or skilled persons. Contact your Highlite International dealer for more information.

7. Transportation and Storage

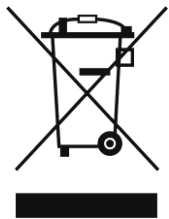
7.1. Instructions for Transportation

- Use the original packaging to transport the device, if possible.
- Always observe the handling instructions printed on the outer carton box, for example: "Handle with care", "This side up", "Fragile".

7.2. Storage

- Clean the device before storing. Follow the cleaning instructions in chapter **6.1.1. Basic Cleaning Instructions** on page 13.
- Store the device in the original packaging, if possible.

8. Disposal



Correct disposal of this product

Waste Electrical and Electronic Equipment

This symbol on the product, its packaging or documents indicates that the product shall not be treated as household waste. Dispose of this product by handing it to the respective collection point for recycling of electrical and electronic equipment. This is to avoid environmental damage or personal injury due to uncontrolled waste disposal. For more detailed information about recycling of this product contact the local authorities or the authorized dealer.

9. Approval



Check the respective product page on the website of Highlite International (www.highlite.com) for an available declaration of conformity.



©2021 Artecta