

ENGLISH

Trenton GU10 Track Light

V1

Product code: **A0320015 – Black housing**
 A0320016 – White housing

Preface

Thank you for purchasing this Artecta product.

The purpose of this user manual is to provide instructions for the correct and safe use of this product.

Keep the user manual for future reference as it is an integral part of the product. The user manual shall be stored at an easily accessible location.

This user manual contains information concerning:

- Safety instructions
- Intended and non-intended use of the device
- Installation and operation of the device
- Maintenance procedures
- Troubleshooting
- Transport, storage and disposal of the device

Non-observance of the instructions in this user manual may result in serious injuries and damage of property.

Table of contents

1. Introduction.....	2
1.1. Before Using the Product	2
1.2. Intended Use	2
1.3. Text Conventions	2
1.4. Symbols and Signal Words.....	3
1.5. Symbols on the Information Label	3
2. Safety	3
2.1. Warnings and Safety Instructions	3
2.2. Requirements for the User.....	4
3. Description of the Device	5
3.1. Front View and Dimensions	5
3.2. Product Specifications	5
4. Installation and Deinstallation	6
4.1. Safety Instructions.....	6
4.2. Personal Protective Equipment	6
4.3. Installation Site Requirements	6
4.4. Lamp Installation	6
4.5. Mounting.....	7
4.6. Dismounting.....	8
4.7. Direction Adjustment	9
4.8. Connecting to Power Supply	9
5. Troubleshooting	9
6. Maintenance	10
6.1. Preventive Maintenance	10
6.1.1. Basic Cleaning Instructions	10
6.2. Corrective Maintenance	10
7. Transportation and Storage.....	10
7.1. Instructions for Transportation	10
7.2. Storage.....	10
8. Disposal	11
9. Approval.....	11

1. Introduction

1.1. Before Using the Product



Important

Read and follow the instructions in this user manual before installing, operating or servicing this product.

The manufacturer will not accept liability for any resulting damages caused by the non-observance of this manual.

After unpacking, check the contents of the box. If any parts are missing or damaged, contact your Highlite International dealer.

Your shipment includes:

- Arctea Trenton GU10 Track Light (including track adapter, not including light source)
- Suction cup
- User manual

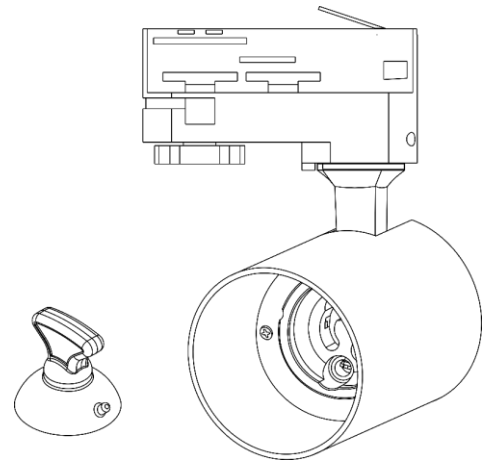


Fig. 01

1.2. Intended Use

This device is intended for use as a light spot. It is suitable for indoor installation in commercial and residential buildings. It is compatible with GU10 light bulbs.

Any other use, not mentioned under intended use, is regarded as non-intended and incorrect use.

1.3. Text Conventions







Throughout the user manual the following text conventions are used:

- References: References to chapters and parts of the device are in bold lettering, for example: "Refer to **2. Safety**", "turn the **adjustment handle (05)**"
- Notes: **Note:** (in bold lettering) is followed by useful information or tips

1.4. Symbols and Signal Words



Safety notes and warnings are indicated throughout the user manual by safety signs.

Always follow the instructions provided in this user manual.

-  **DANGER** Indicates an imminently hazardous situation which, if not avoided, will result in death or serious injury.
-  **WARNING** Indicates a potentially hazardous situation which, if not avoided, could result in death or serious injury.
-  **CAUTION** Indicates a potentially hazardous situation, which, if not avoided, may result in minor or moderate injury.
-  **Attention** Indicates important information for the correct operation and use of the product.
-  **Important** Read and observe the instructions in this document.
-  Provides important information about the disposal of this product.

1.5. Symbols on the Information Label

This product is provided with an information label. The information label is located on the mounting bracket. The information label contains the following symbols:

-  This device is designed for indoor use.
-  This device shall not be treated as household waste.

2. Safety



Important
Read and follow the instructions in this user manual before installing, operating or servicing this product.

The manufacturer will not accept liability for any resulting damages caused by the non-observance of this manual.

2.1. Warnings and Safety Instructions



DANGER
Danger for children

For adult use only. The device must be installed beyond the reach of children.

- Do not leave various parts of the packaging (plastic bags, polystyrene foam, nails, etc.) within children's reach. Packaging material is a potential source of danger for children.



Attention **Power supply**

Before connecting the device to the power supply, make sure that the current, voltage and frequency match the input voltage, current and frequency specified on the information label on the device.



Attention **General safety**

- Do not shake the device. Avoid brute force when installing or operating the device.
- If the device fails to work properly, discontinue the use immediately.



Attention **This device shall be used only for the purposes it is designed for.**

This device is intended for use as a light spot. It is suitable for indoor installation in commercial and residential buildings. It is compatible with GU10 light bulbs.

This device does not contain user-serviceable parts. Unauthorized modifications to the device will render the warranty void. Such modifications may result in injuries and material damage.



Attention **Before use, examine the device visually for any defects.**



Attention **Do not expose the device to conditions that exceed the rated IP class conditions.**

This device is IP20 rated. IP (Ingress Protection) 20 class provides protection against solid objects greater than 12 mm, such as fingers, and no protection against harmful ingress of water.

2.2. Requirements for the User

This product may be used by ordinary persons. Maintenance may be carried by ordinary persons. Installation and service shall be carried out only by instructed or skilled persons. Contact your Highlite dealer for more information.

Instructed persons have been instructed and trained by a skilled person, or are supervised by a skilled person, for specific tasks and work activities associated with the installation, service and maintenance of this product, so that they can identify risks and take precautions to avoid them.

Skilled persons have training or experience, which enables them to recognize risks and to avoid hazards associated with the installation, service and maintenance of this product.

Ordinary persons are all persons other than instructed persons and skilled persons. Ordinary persons include not only users of the product but also any other persons that may have access to the device or who may be in the vicinity of the device.

3. Description of the Device

The Arctecta Trenton GU10 Track Light features a GU10 socket. It can be fitted with any GU10 LED or halogen light bulb of up to 50 W. It is suitable for illumination of residential and commercial buildings.

The device is equipped with a 3-phase track adapter. The 3-phase track adapter is compatible with the Arctecta 3-phase track systems and with the most 3-phase tracks available on the market.

3.1. Front View and Dimensions

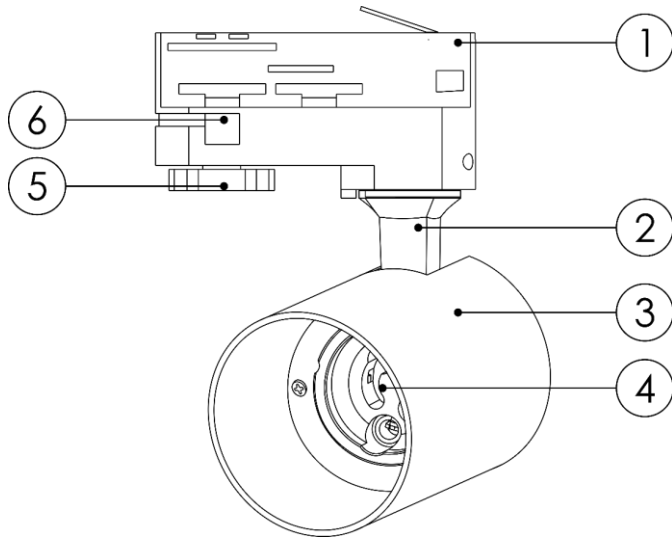


Fig. 02

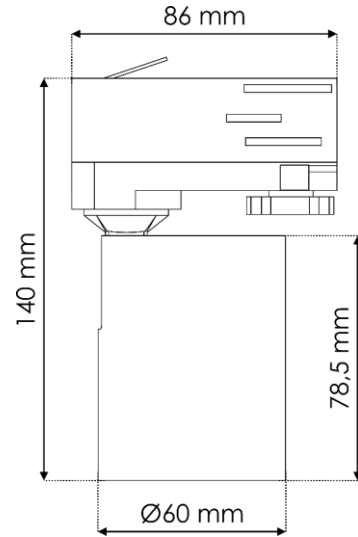


Fig. 03

- 01) Track adapter
- 02) Pivot connector
- 03) Track head
- 04) Lamp holder (GU10)
- 05) Circuit selector (OFF, 1, 2 and 3)
- 06) Track lock

3.2. Product Specifications

Model:	Trenton GU10 Track Light	
Movement:		
Tilt range:	0–90°	
Turning range:	0–350°	
Track adapter:		
Power connection:	220–240 V, 6 A, AC	
F max:	100 N	
Phases:	3	
Optics:		
Light source:	Not included	
Lamp holder:	GU10	
Compatibility:	LED/halogen light bulb, max. 50 W	
Construction:		
IP rating:	IP20	
Housing:	Aluminum	
Color:	A0320015 – Black A0320016 – White	
Finish:	Powder coated	
Physical:		
Dimensions:	140 x 60 x 86 mm (L x W x H) (with the track adapter)	
Weight:	0,21 kg (with the track adapter, without a light bulb)	
Thermal:		
Maximum ambient temperature t_a :	40 °C	
Minimum ambient temperature:	-20 °C	
Minimum distance:		
Minimum distance from flammable surfaces:	0,5 m	
Minimum distance to lighted object:	0,5 m	

4. Installation and Deinstallation

4.1. Safety Instructions



WARNING

Incorrect installation and deinstallation can cause serious injuries and damage of property.

Installation and deinstallation of the device must be carried out only by instructed or skilled persons.

Follow all applicable European, national and local safety regulations concerning electrical installations in buildings and working at heights.

Before installing or deinstalling the device make sure that the track system is disconnected from power supply.

4.2. Personal Protective Equipment

During installation and deinstallation wear personal protective equipment in compliance with the national and site-specific regulations.

4.3. Installation Site Requirements

- The device can be used only indoors.
- The device can be mounted only to a 3-phase track system.
- The minimum distance to other objects must be bigger than 0,5 m.
- The maximum ambient temperature $t_a = 40\text{ °C}$ must never be exceeded.
- The relative humidity must not exceed 50 % with an ambient temperature of 40 °C.

4.4. Lamp Installation

The Trenton GU10 Track Light is delivered without the light source. It can be used with LED or halogen bulbs with a GU10 lamp cap.



Attention

Install the light bulb before mounting the device to the track.



CAUTION

Disconnect the track system from the power supply when changing the light bulb.

To install the light bulb, follow the steps below:

- 01) Attach the delivered suction cup to the light bulb (see Fig. 04).
- 02) Insert the light bulb into the **lamp holder (04)** and twist it clockwise until it fits into place (see Fig. 05).

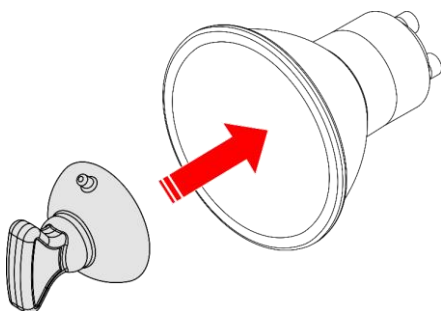


Fig. 04

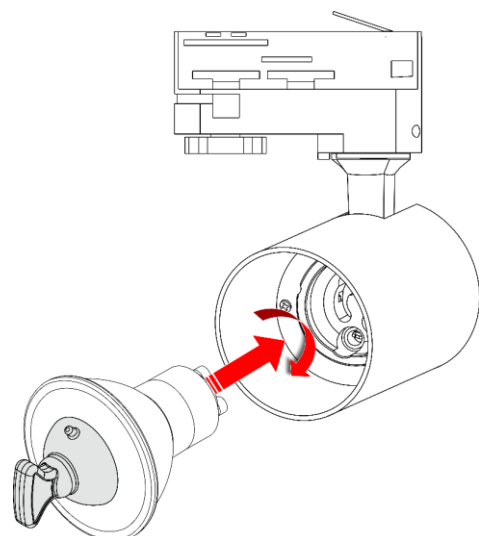


Fig. 05

- 03) Remove the suction cup from the light bulb.

4.5. Mounting

The device can be mounted only to a 3-phase track system.



CAUTION
Restrict the access under the work area during mounting.

To mount the device, follow the steps below:

- 01) Disconnect the track system from the power supply.
- 02) Make sure that the **circuit selector (05)** is in OFF position and the **track lock (06)** is in unlocked position, as shown in Fig. 06.
- 03) Align the flange of the **track adapter (01)** with the track, as shown in Fig. 07.

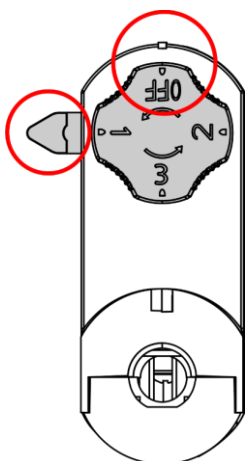


Fig. 06

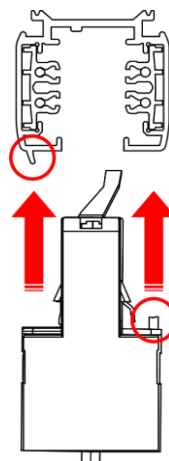


Fig. 07

- 04) Insert the **track adapter (01)** in the track and push it until it snaps into place.
- 05) Turn the **track lock (06)** clockwise to lock the device in the track, as shown in Fig. 09.

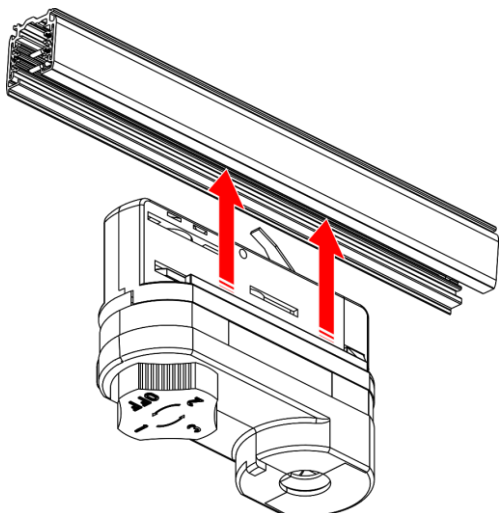


Fig. 08

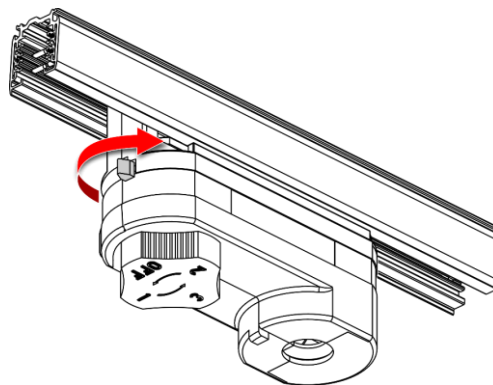


Fig. 09

06) Select the circuit with the **circuit selector (05)**. You can select 1-, 2- and 3-phase circuit, as shown in Fig. 10.



Attention
Do not slide the track adapter in the track to adjust the position of the device (see Fig. 11). This can damage the connectors.

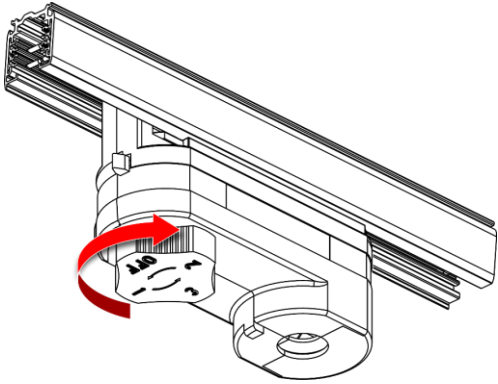


Fig. 10

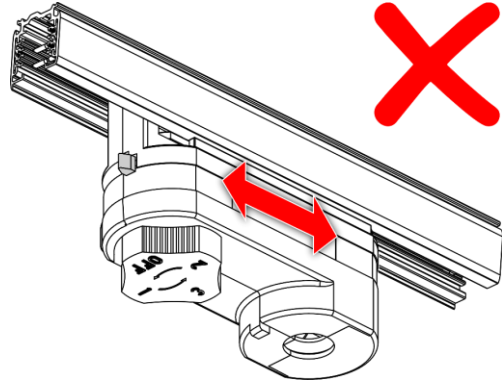


Fig. 11

Remove the device from the track and install it at the new place. For more information on how to remove the device from the track, refer to **4.5. Dismounting** on page 8.

4.6. Dismounting



CAUTION
Restrict the access under the work area during dismounting.

To dismount the device, follow the steps below:

- 01) Disconnect the track system from the power supply.
- 02) Let the device cool down before dismounting.
- 03) Set the **circuit selector (05)** in OFF position, as shown in Fig. 12.
- 04) Turn the **track lock (06)** counterclockwise to unlock the device (see Fig. 13).
- 05) Pull the **track adapter (01)** from the track (see Fig. 14).

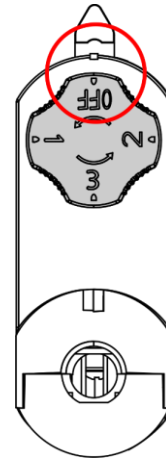


Fig. 12

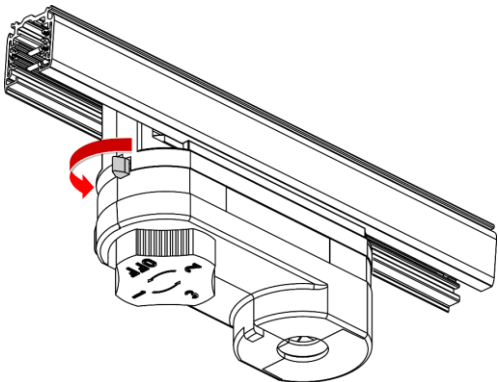


Fig. 13

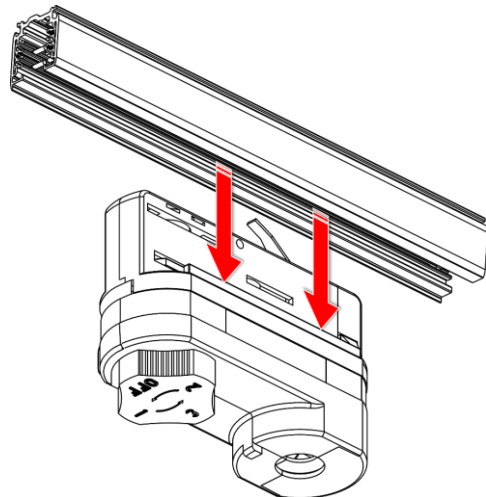


Fig. 14

4.7. Direction Adjustment

To adjust the angle of the device and the direction of the beam:

- Move the **track head (03)** around the **pivot connector (02)** to adjust the vertical position of the **track head (03)**. The adjustment range is 0–90°.
- Turn the **track head (03)** around the **pivot connector (02)** to adjust the horizontal position of the **track head (03)**. The adjustment range is 0–350°.

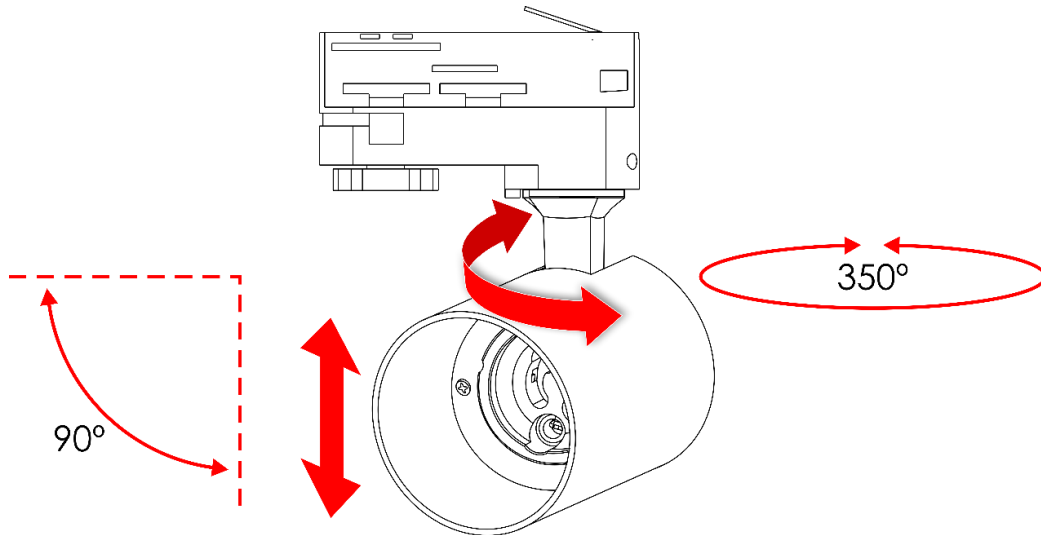


Fig. 15

4.8. Connecting to Power Supply

This device is suitable for mounting only to a 3-phase track system. The device is connected to power supply when it is mounted to the track system.

Before installing, deinstalling or servicing the device make sure that the track system is disconnected from power supply.

5. Troubleshooting

This troubleshooting guide contains solutions to problems which can be carried out by an ordinary person. The device does not contain user-serviceable parts.

Unauthorized modifications to the device will render the warranty void. Such modifications may result in injuries and material damage.

Refer servicing to instructed or skilled persons. Contact your Highlite International dealer in case the solution is not described in the table.

Problem	Probable cause(s)	Solution
The device does not function	No power to the device	<ul style="list-style-type: none"> • Check if the track system is connected to the power supply
No light or light cuts out intermittently	The light bulb is defect or broken	<ul style="list-style-type: none"> • Change the light bulb
	The power supply settings do not match local AC voltage and frequency	<ul style="list-style-type: none"> • Disconnect the device. Check the settings and correct, if necessary

6. Maintenance

6.1. Preventive Maintenance



Attention

Before use, examine the device visually for any defects.

6.1.1. Basic Cleaning Instructions

To clean the device, follow the steps below:

- 01) Disconnect the device from the electrical power supply.
- 02) Allow the device to cool down for at least 15 minutes.
- 03) Remove the dust collected on the external surface with dry compressed air and a soft brush.



Attention

Do not immerse the device in liquid.
Do not use alcohol or solvents.

6.2. Corrective Maintenance

The device does not contain user-serviceable parts. Do not open the device and do not modify the device.

Refer repairs and servicing to instructed or skilled persons. Contact your Highlite International dealer for more information.

7. Transportation and Storage

7.1. Instructions for Transportation

- Use the original packaging to transport the device, if possible.
- Always observe the handling instructions printed on the outer carton box, for example: "Handle with care", "This side up", "Fragile".

7.2. Storage

- Clean the device before storing. Follow the cleaning instructions in chapter **6.1.1. Basic Cleaning Instructions** on page 10.
- Store the device in the original packaging, if possible.

8. Disposal

Correct disposal of this product



Waste Electrical and Electronic Equipment

This symbol on the product, its packaging or documents indicates that the product shall not be treated as household waste. Dispose of this product by handing it to the respective collection point for recycling of electrical and electronic equipment. This is to avoid environmental damage or personal injury due to uncontrolled waste disposal. For more detailed information about recycling of this product contact the local authorities or the authorized dealer.

9. Approval



Check the respective product page on the website of Highlite International (www.highlite.com) for an available declaration of conformity.

©2021 Artecta. All rights reserved.

No part of this document may be copied, published or otherwise reproduced without the prior written consent of Highlite International.

Design and product specifications are subject to change without prior notice.

For the latest version of this document or other language versions, please visit our website www.highlite.com or contact us at service@highlite.com.

Highlite International and its authorized service providers are not liable for any injury, damage, direct or indirect loss, consequential or economic loss or any other loss arising from the use of, or inability to use or reliance on the information contained in this document.