

ENGLISH

Argos LED Panel UGR <19 60x60 40W V1

**Product code: A0160200 – 3000K
A0160201 – 4000K**

Preface

Thank you for purchasing this Artecta product.

The purpose of this user manual is to provide instructions for the correct and safe use of this product.

Keep the user manual for future reference as it is an integral part of the product. The user manual shall be stored at an easily accessible location.

This user manual contains information concerning:

- Safety instructions
- Intended and non-intended use of the device
- Installation and operation of the device
- Maintenance procedures
- Troubleshooting
- Transport, storage and disposal of the device

Non-observance of the instructions in this user manual may result in serious injuries and damage of property.

©2022 Artecta. All rights reserved.

No part of this document may be copied, published or otherwise reproduced without the prior written consent of Highlite International.

Design and product specifications are subject to change without prior notice.

For the latest version of this document, please visit our website www.highlite.com or contact us at service@highlite.com.

Highlite International and its authorized service providers are not liable for any injury, damage, direct or indirect loss, consequential or economic loss or any other loss arising from the use of, or inability to use or reliance on the information contained in this document.

Table of contents

1. Introduction	3
1.1. Before Using the Product	3
1.2. Intended Use	3
1.3. LEDs Lifespan	3
1.4. Text Conventions	3
1.5. Symbols and Signal Words.....	4
1.6. Symbols on the Information Label	5
2. Safety	6
2.1. Warnings and Safety Instructions	6
2.2. Requirements for the User.....	7
3. Description of the Device	8
3.1. Front View	8
3.2. Product Specifications	9
3.3. Accessories.....	9
3.4. Dimensions.....	10
4. Installation and Deinstallation	11
4.1. Safety Instructions.....	11
4.2. Personal Protective Equipment	11
4.3. Installation Site Requirements	11
4.4. Installation.....	11
4.5. Mounting.....	12
4.5.1. Mounting frame	12
4.5.2. Ceiling mounting for a office ceiling-system.....	12
5. Operation	13
5.1. Safety Instructions for Operation	13
6. Troubleshooting	13
7. Maintenance	14
7.1. Safety Instructions for Maintenance.....	14
7.2. Preventive Maintenance	14
7.2.1. Basic Cleaning Instructions	14
7.3. Corrective Maintenance	14
8. Transportation and Storage	15
8.1. Instructions for Transportation	15
8.2. Storage	15
9. Disposal	15
10. Approval	15

1. Introduction

1.1. Before Using the Product



Important

Read and follow the instructions in this user manual before installing, operating or servicing this product.

The manufacturer will not accept liability for any resulting damages caused by the non-observance of this manual.

After unpacking, check the contents of the box. If any parts are missing or damaged, contact your Highlite International dealer.

Your shipment includes:

- Arctea Argos LED Panel UGR <19 60x60 40W + Driver
- User manual

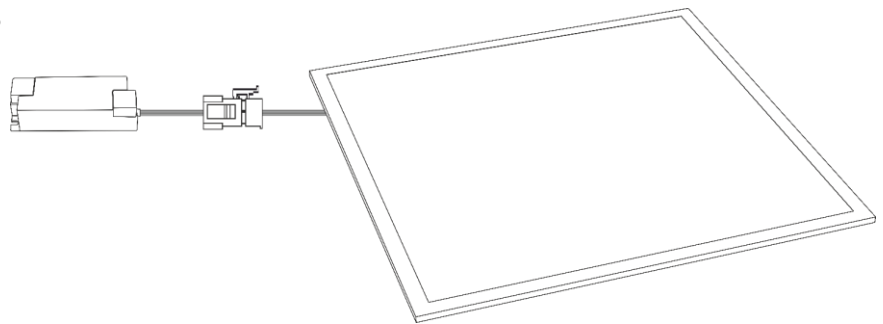


Fig. 01

1.2. Intended Use

This device is intended for professional use as an architectural light spot. It is suitable for indoor installation in shops, exhibition halls, showrooms and similar venues. This device is not suitable for households.

Any other use, not mentioned under intended use, is regarded as non-intended and incorrect use.

1.3. LEDs Lifespan

The light output of the LEDs gradually decreases over time (lumen depreciation). High operating temperatures contribute to this process. You can extend the lifespan of the LEDs by providing adequate ventilation and operating the LEDs at the lowest possible brightness.

1.4. Text Conventions

Throughout the user manual the following text conventions are used:

- References: References to chapters and parts of the device are in bold lettering, for example: "Refer to **2. Safety**", "turn the **adjustment handle (05)**"
- 0–255: Defines a range of values
- Notes: **Note:** (in bold lettering) is followed by useful information or tips

1.5. Symbols and Signal Words

Safety notes and warnings are indicated throughout the user manual by safety signs.

Always follow the instructions provided in this user manual.



DANGER

Indicates an imminently hazardous situation which, if not avoided, will result in death or serious injury.



WARNING

Indicates a potentially hazardous situation which, if not avoided, could result in death or serious injury.



CAUTION

Indicates a potentially hazardous situation, which, if not avoided, may result in minor or moderate injury.



Attention

Indicates important information for the correct operation and use of the product.



Important

Read and observe the instructions in this document.



Electrical hazard



Provides important information about the disposal of this product.

1.6. Symbols on the Information Label

This product is provided with 2 information labels. The first information label is located on the back side of the device. The second information label is located on the topside of the driver.

The information label contains the following symbols:



This device is designed for indoor use.



This device falls under IEC protection class III.



This device shall not be treated as household waste.



Breakage due to heavy load.



WARNING DO NOT hit or press the exterior surface with external force or heavy objects, to avoid the housing being deformed! Or else, the lighting effect will be affected! Stacking the fixture without packaging to over 10 pcs. Is not allowed.



Independent controlgear.



SELV controlgear, short-circuit proof



Temperature declared thermally protected lamp controlgear.



This device falls under IEC protection class II.

2. Safety



Important

Read and follow the instructions in this user manual before installing, operating or servicing this product.

The manufacturer will not accept liability for any resulting damages caused by the non-observance of this manual.

2.1. Warnings and Safety Instructions



DANGER

Danger for children

For adult use only. The device must be installed beyond the reach of children.

- Do not leave various parts of the packaging (plastic bags, polystyrene foam, nails, etc.) within children's reach. Packaging material is a potential source of danger for children.



Attention

Power supply

Before connecting the device to the power supply, make sure that the current, voltage and frequency match the input voltage, current and frequency specified on the information label on the device.



Attention

General safety

- Do not shake the device. Avoid brute force when installing or operating the device.
- If the device is dropped or struck, disconnect the device from the electrical power supply immediately.
- If the device fails to work properly, discontinue the use immediately.



Attention

This device shall be used only for the purposes it is designed for.

This device is intended for use as an architectural light spot. It is suitable for indoor installation in commercial and residential buildings. This device is suitable for household illumination.

- This device is suitable for households.
- This device does not contain user-serviceable parts. Unauthorized modifications to the device will render the warranty void. Such modifications may result in injuries and material damage.



Attention

Before use, examine the device visually for any defects.

Make sure that:

- There are no deformations on housings, fixations and installation points.
- The lens is not cracked or damaged.
- The interconnecting power cable is not damaged and does not show any material fatigue.



Attention

Do not expose the device to conditions that exceed the rated IP class conditions.

This device is IP20 rated. IP (Ingress Protection) 20 class provides protection against solid objects greater than 12 mm, such as fingers, and no protection against harmful ingress of water.

2.2. Requirements for the User

This product may be used by ordinary persons. Maintenance may be carried by ordinary persons. Installation and service shall be carried out only by instructed or skilled persons. Contact your Highlite dealer for more information.

Instructed persons have been instructed and trained by a skilled person, or are supervised by a skilled person, for specific tasks and work activities associated with the installation, service and maintenance of this product, so that they can identify risks and take precautions to avoid them.

Skilled persons have training or experience, which enables them to recognize risks and to avoid hazards associated with the installation, service and maintenance of this product.

Ordinary persons are all persons other than instructed persons and skilled persons. Ordinary persons include not only users of the product but also any other persons that may have access to the device or who may be in the vicinity of the device.

3. Description of the Device

The Argos LED panels with UGR<19 are of high quality and are particularly suitable for office work and public spaces. You can think of rooms with computers, schools, hospitals and dental practices. A big advantage is that the front plate works as a diffuser. As a result, you will not be blinded by the LEDs when looking at the panel.

This 40 watt LED panel has a surface of 60 x 60 cm and is suitable for common grid ceiling sizes. They can therefore be easily integrated. With up to 140 lumens per watt, the Argos LED panels have a very efficient light output. This makes replacing traditional fluorescent lighting with these LED panels a smart investment. In addition, the panels are equipped with an LED driver. This allows for a quick and easy installation.

The Argos LED Panels are available in different versions. You can choose for either a 3000 K or 4000 K colour temperature. They also come in different sizes.

3.1. Front View

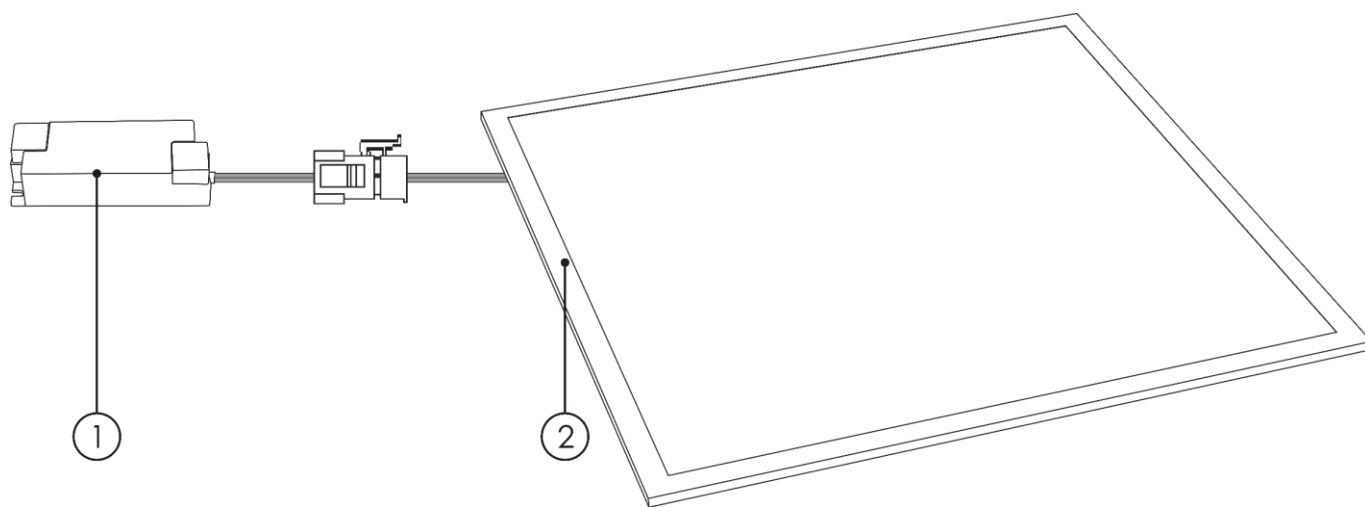


Fig. 02

- 01) LED Driver
- 02) Argos Panel

3.2. Product Specifications

Model:	Argos LED Panel <19 60x60 40W
--------	-------------------------------

Electrical:	
Input voltage:	220-240 V AC, 50/60 Hz
Power consumption:	40 W
PFC:	0,98

Physical:	
Dimensions:	595 x 595 x 35 mm (L x W x H)
Weight:	1,88 kg
Mounting Depth	34 mm

Optics:	
Light source:	64 WW LEDS
Dimmer:	Not dimmable
Color temperature (CCT):	3000K (product code: A0160200) 4000K (product code: A0160201)
Output:	3000 K: 3750 lm 4000 K: 3800 lm
Lux @2m	398 lx
CRI:	83
Suitable for office	UGR<19

Construction:	
Housing:	Metal / Plastic
Color:	White
IP rating:	IP20
Cooling:	Natural convection

Thermal:	
Maximum ambient temperature t_a :	40 °C

Minimum distance:	
Minimum distance from flammable surfaces:	0,5 m
Minimum distance to lighted object:	0,5 m

Driver	
Input voltage:	220–240 V AC, 50/60 Hz
Input current max:	0,32 A
Protection class:	II
Output voltage:	24–40 V DC
Output voltage max:	50 V DC
Output current max:	1000 mA
Type output:	SELV
Phases:	3
Safety:	Short-circuit, overload protection
Dimensions:	116 x 42 x 28 mm (L x W x H)
Weight:	0,1 kg

3.3. Accessories

The device is delivered without a mounting frame. There are several accessories for this device:

- Product code: [A0160940](#) – Mounting frame for Argos LED Panel 60x60
- Product code: [A0160941](#) – Mounting frame for Argos LED Panel 30x120

3.4. Dimensions

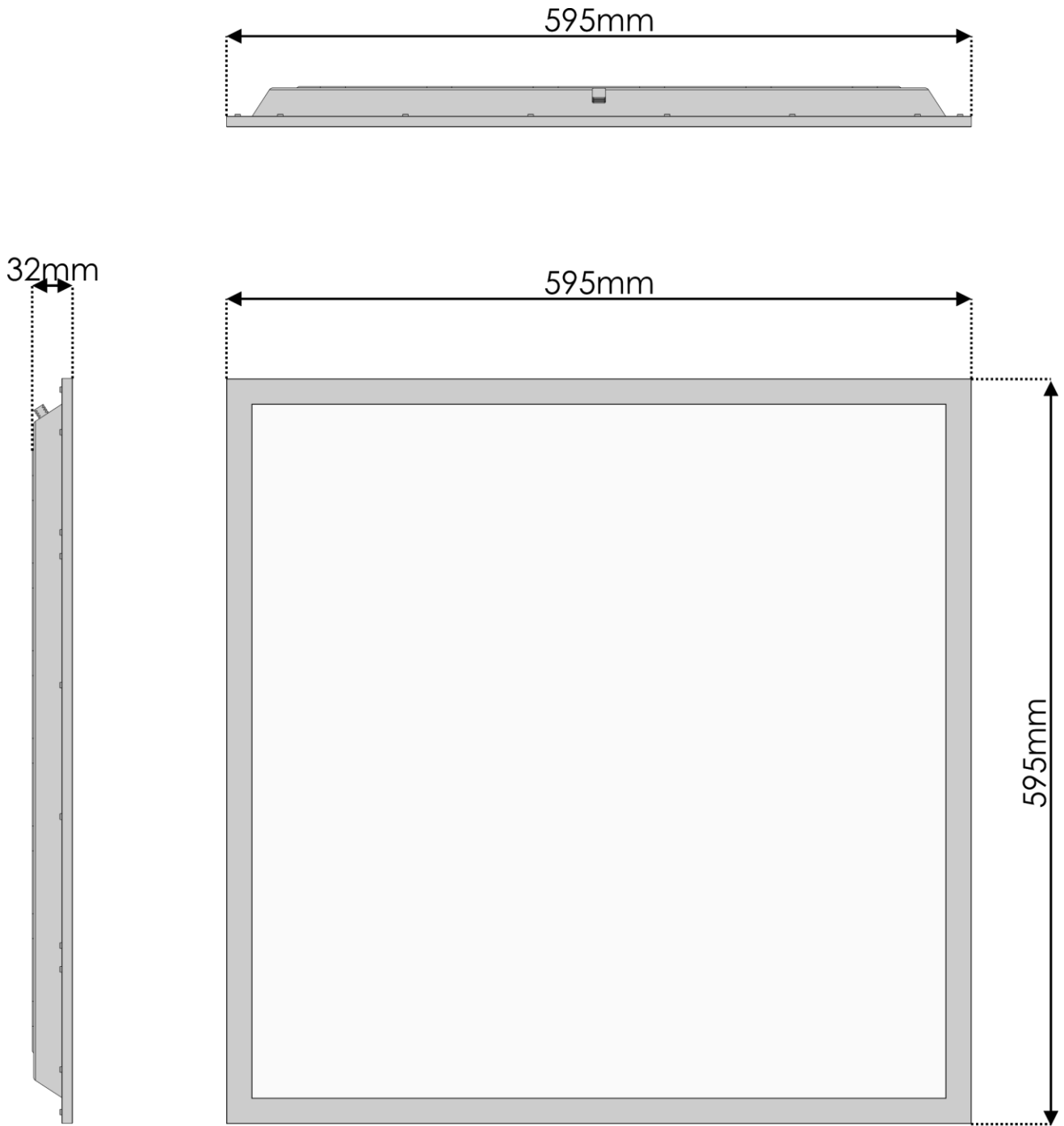


Fig. 03

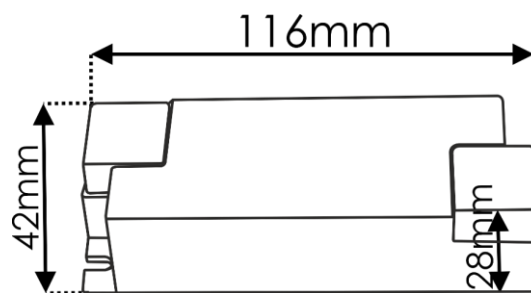


Fig. 04

4. Installation and Deinstallation

4.1. Safety Instructions



WARNING

Incorrect installation and deinstallation can cause serious injuries and damage of property.

Installation and deinstallation of the device must be carried out only by instructed or skilled persons.

Follow all applicable European, national and local safety regulations concerning electrical installations in buildings and working at heights.

Before installing or deinstalling the device make sure that the track system is disconnected from power supply.

4.2. Personal Protective Equipment

During installation and deinstallation wear personal protective equipment in compliance with the national and site-specific regulations.

4.3. Installation Site Requirements

- The device can be used only indoors.
- The minimum distance to other objects must be bigger than 0,5 m.
- The maximum ambient temperature $t_a = 40\text{ °C}$ must never be exceeded.
- The relative humidity must not exceed 50 % with an ambient temperature of 40 °C .

4.4. Installation

- 01) Make sure that you connect all products before connecting to the mains power, as shown in Fig. 05.
- 02) To connect the driver, use a small flathead-screwdriver to remove the cover.
- 03) Connect all cables.

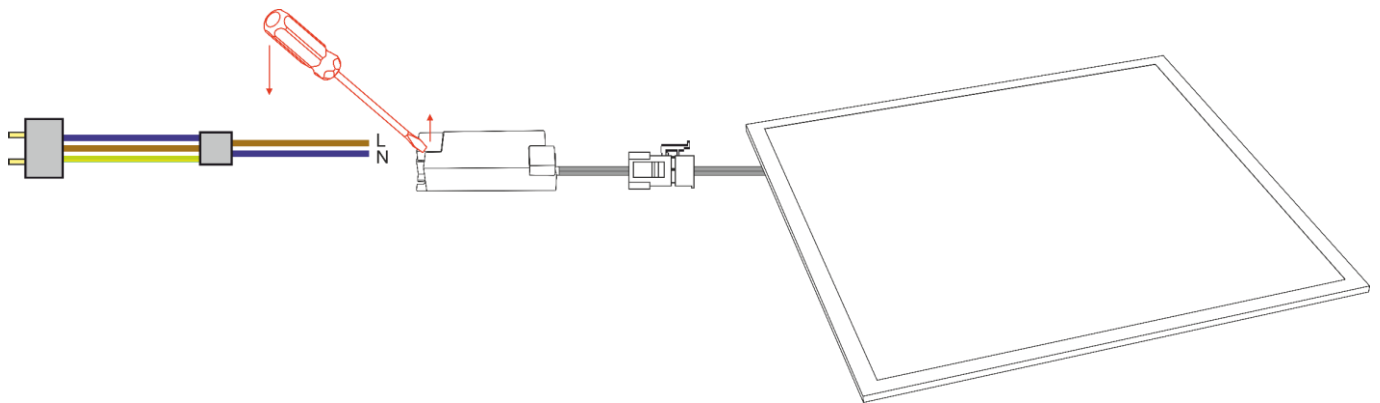


Fig. 05

Before connecting the driver to the socket-outlet:

- Make sure that the power supply matches the input voltage specified on the information label on the device.
- Make sure that the socket-outlet has ground (earth) connection.
- Make sure the Argos LED Panel is already connected to the driver.

Connect the driver to the socket-outlet with the power plug. Do not connect the device to a dimmer circuit, as this may damage the device.

4.5. Mounting

The device can be mounted only in a mounting frame or a common grid ceiling-system.



CAUTION
Restrict the access under the work area during mounting.

To mount the device, please look at the manual of the following items:

- Product code: [A0160940](#) –Mounting frame for Argos LED Panel 60x60
- Product code: [A0160941](#) – Mounting frame for Argos LED Panel 30x120

4.5.1. Mounting Frame for Concrete Ceilings



Fig. 06

4.5.2. Ceiling Mounting for an Office Ceiling-system

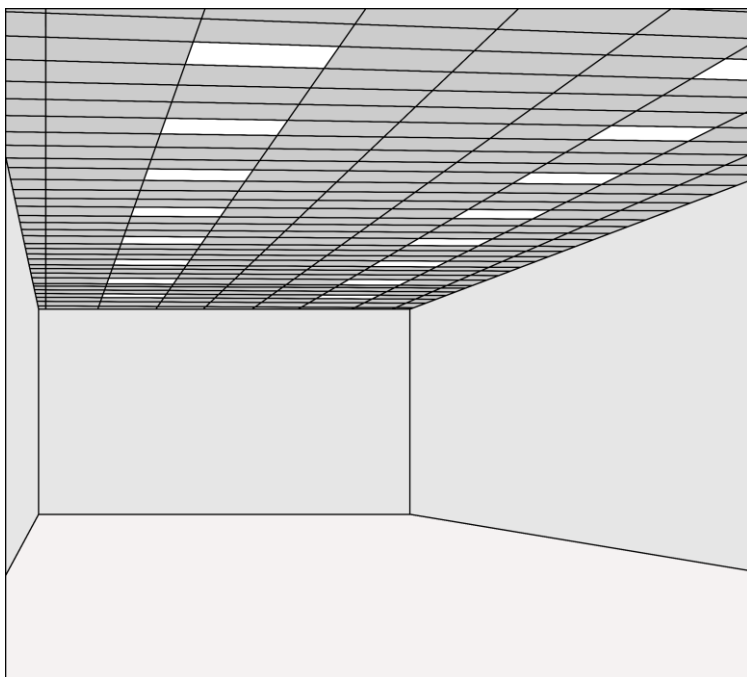


Fig. 07

5. Operation

5.1. Safety Instructions for Operation



Attention

This device must be used only for the purposes it is designed for.

This device is intended for professional use as an architectural light spot. It is suitable for indoor installation in offices and public spaces. You can think of rooms with computers, schools, hospitals and dental practices.

Any other use, not mentioned under intended use, is regarded as non-intended and incorrect use.

6. Troubleshooting

This troubleshooting guide contains solutions to problems which can be carried out by an ordinary person. The device does not contain user-serviceable parts.

Unauthorized modifications to the device will render the warranty void. Such modifications may result in injuries and material damage.

Refer servicing to instructed or skilled persons. Contact your Highlite International dealer in case the solution is not described in the table.

Problem	Probable cause(s)	Solution
The device does not function	No power to the device	<ul style="list-style-type: none"> Check if the track system is connected to the power supply
	LEDs are damaged	<ul style="list-style-type: none"> Disconnect the device and contact your Highlite International dealer
No light or LEDs cut out intermittently	The power supply settings do not match local AC voltage and frequency	<ul style="list-style-type: none"> Disconnect the device. Check the settings and correct, if necessary

7. Maintenance

7.1. Safety Instructions for Maintenance



DANGER
Electric shock caused by dangerous voltage inside

Disconnect power supply before servicing or cleaning.

7.2. Preventive Maintenance



Attention
Before use, examine the device visually for any defects.

Make sure that:

- All screws used for installing the device or parts of the device are tightly fastened and are not corroded.
- There are no deformations on housings, fixations and installation points.
- The lens is not cracked or damaged.
- The interconnecting power cable is not damaged and does not show any material fatigue.

7.2.1. Basic Cleaning Instructions

The lens of the device must be cleaned periodically in order to optimize the light output. The cleaning schedule depends on the conditions at the site where the device is installed. When smoke or fog machines are used at the site, the device will need more frequent cleaning. On the other hand, if the device is installed in a well-ventilated area, it will need less frequent cleaning. To establish a cleaning schedule, examine the device at regular intervals during the first 100 hours of operation.

To clean the device, follow the steps below:

- 01) Disconnect the device from the electrical power supply.
- 02) Allow the device to cool down for at least 15 minutes.
- 03) Remove the dust collected on the external surface with dry compressed air and a soft brush.
- 04) Clean the lens with a damp cloth. Use a mild detergent solution.
- 05) Dry the lens carefully with a lint-free cloth.



Attention

- Do not immerse the device in liquid.
- Do not use alcohol or solvents.

7.3. Corrective Maintenance

The device does not contain user-serviceable parts. Do not open the device and do not modify the device.

Refer repairs and servicing to instructed or skilled persons. Contact your Highlite International dealer for more information.

8. Transportation and Storage

8.1. Instructions for Transportation

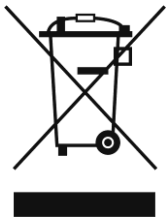
- Use the original packaging to transport the device, if possible.
- Always observe the handling instructions printed on the outer carton box, for example: "Handle with care", "This side up", "Fragile".

8.2. Storage

- Clean the device before storing. Follow the cleaning instructions in chapter **7.2.1. Basic Cleaning Instructions** on page 14.
- Store the device in the original packaging, if possible.

9. Disposal

Correct disposal of this product



Waste Electrical and Electronic Equipment

This symbol on the product, its packaging or documents indicates that the product shall not be treated as household waste. Dispose of this product by handing it to the respective collection point for recycling of electrical and electronic equipment. This is to avoid environmental damage or personal injury due to uncontrolled waste disposal. For more detailed information about recycling of this product contact the local authorities or the authorized dealer.

10. Approval



Check the respective product page on the website of Highlite International (www.highlite.com) for an available declaration of conformity.



©2022 Artecta