



# W-515D / W-530D Fog Machine User Manual



English • Français • Deutsch •

© 2018 Antari Lighting and Effects Ltd.





# User Manual

## W-515D & W-530D Fog Machine

Congratulations on the purchase of your new ANTARI  
W-Series FOG MACHINE.

### Introduction

Thank you for choosing an ANTARI W-Series Fog Machine. You now own a rugged and powerful state-of-the-art machine. Prior to use, we suggest that you carefully read all of the instructions. By following the suggestions found in this user manual, you can look forward to the reliable and satisfactory performance of your ANTARI Fog Machine for years to come.

Please follow these operation, safety and maintenance instructions to ensure a long and safe life for your fog machine.



#### CAUTION:

Risk of electric shock. Disconnect the appliance from the electric supply before refilling liquid, cleaning, or performing maintenance on the machine.

### Danger of Electric Shock

- Keep this device dry.
- Indoor use only. Not designed for outdoor use.
- For all models, use 3-prong grounded electrical outlet only. Prior to use, make sure to determine that the unit is installed at the rated voltage.
- Always unplug your ANTARI W-Series Fog Machine before filling its tank.
- Always keep fog machine in upright position.
- Turn off or unplug the machine when not in use.
- This machine is not water-proof. If moisture, water, or fog fluid gets inside the housing, immediately unplug the unit and contact a service technician or your ANTARI dealer before using it again.
- No user serviceable parts inside. Refer to your ANTARI dealer or other qualified service personnel.



#### Danger of Burns

- This device is for adult use only and must be installed out of the reach of children.
- Never leave the unit running unattended. Never aim the output nozzle directly at people.

- Fog machine output is very hot. Avoid coming within 50 cm of the output

Nozzle during operation.

- Operate the fog machine in a well-ventilated area. Never cover the unit's vents. In order to guarantee adequate ventilation, allow a free air space of at least 20 cm around the sides and top of the unit. Never aim the output nozzle at open flames.
- If the supply cord is damaged, it must be replaced by manufacturer or its service agent or similarly qualified personnel in order to avoid a hazard.
- The output nozzle becomes very hot during operation (200°C). Keep flammable materials at least 50 cm away from the nozzle.
- Always allow your ANTARI Fog Machine to cool down before attempting to clean or service it.



Danger of Explosion

- Never add flammable liquids of any kind (such as oil, gas, perfume) to the fog liquid.
- Use only high-quality, water-based fog liquid that your dealer recommends. Other fog liquids may cause clogging or "spitting".
- Always make sure there is sufficient liquid in the tank. Operating this unit without liquid might cause damage to the pump as well as over-heating of the heater.
- If your ANTARI W-515D or W-530D Fog Machine fails to work properly, discontinue use immediately. Drain all fog liquid from the tank, pack the unit securely (preferably in the original packing material), and return it to your ANTARI dealer for service.
- Always drain tank before mailing or transporting this unit.
- Never drink fog liquid. If it is ingested, call a doctor immediately. If fog liquid comes in contact with skin or eyes, rinse thoroughly with water.

**Note:** Pay attention to all warning labels and instructions printed on the exterior of your ANTARI Fog Machine.

## Unpacking & Inspection

Open the shipping carton and verify that all equipment necessary to operate the system has arrived intact.

The shipping carton should contain the following items:

1. One unit of W-515D or W-530D Fog Machine
2. Power cord
3. One Set of W-1 transmitter
4. User Manual

If any equipment is missing, contact your ANTARI dealer immediately.

Before beginning your initial setup on ANTARI W-515D & W-530D Fog Machine, make sure that there is no evident damage caused by transportation. In the event that the unit's housing or cable is damaged, do not plug it in and do not attempt to use it until after contacting your ANTARI dealer for assistance.

## Setup

- Remove all packing materials from shipping box. Check that all foam and plastic padding is removed, especially in the nozzle area.
- Place the fog machine on a flat surface and remove fog liquid tank cap. Place the liquid tube into a properly filled liquid tank.
- Fill with high-quality, water-based fog liquid recommended by ANTARI dealer. The W-515D or W-530D only works with uncontaminated Antari FLR or FLG Fog Liquid. Any other types of liquid can damage the unit resulting in spitting and serious clogging problem. When filled, place cap back on liquid tank. Be careful not to exceed the maximum fluid level. DO NOT OVERFILL.

## Operation

### Control Panel

The built-in control panel on the rear of the machine features an LCD panel displaying all operation status of the fog machine. The control panel allows the user to customize fog machine functions by adjusting the fogging duration, interval, and volume as well as the DMX and W-DMX address, the wireless function and the fluid sensor. There are 4 buttons on the control board. All current operating parameters are automatically stored in non-volatile memory, allowing the machine to be powered down without losing function settings.

After powering on, the display shortly indicates »Antari W-515D/W-530D«. At this time, users may press the MENU button and hold for 2 seconds to switch the language of the control interface from English to Chinese.

Then the display indicates »Wireless Detect...«. This indication lasts for 15 seconds. Users may register the W-1 wireless transmitter to the fog machine by pressing Key A on the W-1 during this period. When the wireless control function is off, this indication won't be shown.

Then the fog machine starts with the warm-up process and the display indicates »Warming Up«. While the unit is warming up, fog output will not be possible yet. Program the necessary menu settings with the control panel. Once the warm-up process is completed, fog output will be possible. The display indicates »Ready to Fog«. Additionally, a »P« for W-DMX, a »W« for wireless or an »S« for fluid sensor is indicated if these functions are activated.

### - Menu settings with the button MENU

#### • Setting time intervals for timer operation

Press the button MENU until the display indicates »Interval Set«. Use the buttons UP and DOWN to adjust the intervals between the individual fog outputs in timer mode within the range of 5 and 200 seconds.

▪ **Setting the output duration for timer operation**

Press the button MENU until the display indicates »Duration Set«. Use the buttons UP and DOWN to adjust the duration of the fog outputs in timer mode within the range of 1 and 200 seconds.

▪ **Setting the fog output volume for timer operation**

Press the button MENU until the display indicates »Timer Output«. Use the buttons UP and DOWN to adjust the fog output volume in timer mode within the range of 1 % and 100 %.

▪ **Setting the fog output volume for continuous operation**

Press the MENU button until the display indicates »Volume Output«. Use the buttons UP and DOWN to adjust the fog output volume in continuous mode within the range of 1 % and 100 %.

To set the unit to continuous fog output in continuous mode, select »NON STOPBURST« below a value of 1 % or above a value of 100 %.

**NOTE:**

When setting a fog output volume higher than 30 % for continuous operation, the fog machine occasionally needs to stop the fog output to reheat.

When »NONSTOPBURST« is selected, the fog machine adjusts the fog output volume and heater temperature automatically and does not need to stop the fog output to reheat.

▪ **Setting the DMX512 address**

Press the MENU until the display indicates »DMX512 Address: 001«. Use the buttons UP and DOWN to set the machine to the same address as on your DMX controller. Please refer to chapter DMX512 settings for more information on DMX operation.

▪ **Switching the wireless function on and off**

Press the button MENU until the display indicates »Wireless ON«. Use the buttons UP and DOWN to deactivate the wireless function (indication »Wireless OFF«) and to reactivate it (indication »Wireless ON«).

▪ **Switching the fluid sensor on and off**

Press the button MENU until the display indicates »Fluid Sensor Set ON«. Use the buttons UP and DOWN to deactivate the fluid sensor (indication »Fluid Sensor Set OFF«) and to reactivate it (indication »Fluid Sensor Set ON«).

▪ **Switching the W-DMX function on and off**

Press the button MENU until the display indicates »W-DMX Power ON«. Use the buttons UP and DOWN to deactivate the W-DMX function (indication »W-DMX Power OFF«) and to reactivate it (indication »W-DMX Power ON«).

**Note:**

When W-DMX function is activated, the connection status will be shown on display by below symbols.

Status of W-DMX connection	Symbol on the Liquid Crystal Display
Transmitter assigned, DMX signal received	●
Transmitter assigned, No DMX signal	⊙
Transmitter link lost or linking to transmitter	⊖
Transmitter not assigned	○

**• Setting W-DMX 512 address**

When W-DMX function is activated, press button MENU until the display indicates »W-DMX Address: 001«. Use the buttons UP and DOWN to set the machine to the same address as on your W-DMX console.

**• Resetting W-DMX connection**

When W-DMX function is activated, press button MENU until the display indicates »W-DMX Reset OFF«. Use the buttons UP and DOWN to activate the resetting: delete previous W-DMX connection and relink. Once the deletion and relink are done, the display indicates »W-DMX Reset OFF« again.

**• Switching the run last setting function on and off**

Press the button MENU until the display indicates »Run Last Setting ON«. Use the buttons UP and DOWN to deactivate the run last setting function (indication »Run Last Setting OFF«) and to reactivate it (indication »Run Last Setting ON«).

**- Continuous operation**

Press the button VOLUME, to activate continuous fog output. The display indicates »Volume Output« followed by the value that was set in the menu item »Volume Output« or »NONSTOPBURST« when continuous fog output was selected. To stop the fog output, press STOP button.

**NOTE:**

When a fog output volume higher than 30 % was set for continuous operation, the fog machine occasionally needs to stop the fog output to reheat. When »NONSTOPBURST« was selected, the fog machine adjusts the fog output volume and heater temperature automatically and does not need to stop to reheat.

### - Timer operation

In the timer mode, the fog machine will automatically emit fog. The time intervals, duration and fog volume depend on the corresponding menu settings. Press the button **TIMER** to activate the timer mode. The display indicates the set time interval. The unit counts down to 0 seconds and emits fog. To deactivate the timer mode, press **STOP** button.

### W-1 Wireless Remote

The wireless remote control system W-1 consists of a transmitter equipped with two buttons for fog on and off, and a receiver pre-attached to the rear panel of each W-series model.

#### \* Transmitter:



With the transmitter it is possible to emit fog via radio over a distance of up to 50 meters. The transmitter is compatible to any receiver of the W-series and can control an unlimited number of machines in parallel.

Press the button "A", to emit fog. The button "A" has the same function as the button **VOLUME** on the control panel, i.e. the fog output depends on the setting of menu item »Volume Output«. The display indicates »Volume« followed by the defined value or »NONSTOPBURST« when continuous fog output was selected. As additional control, the blue LED light. To stop the fog output, press the button "B".

#### \* Receiver:





The receiver is tested and pre-attached to the rear panel of each W-series model. Please do not try to remove it. The receiver responds to up to 5 different transmitters that are registered with the machine. The included transmitter has been registered to the machine before shipment. It can be directly operated without any start-up setting.

#### - Registering transmitters

To operate the machine with a different transmitter than the included one, or to operate it with up to 5 different transmitters, each transmitter must be registered first. For this purpose, turn on the machine. When the display indicates »Wireless Detect...«, press the button "A" 1 second on each transmitter. Thus the previous transmitters are cleared from the memory of the receiver. The setting must be completed within 15 seconds at indication »Wireless Detect...«.

If no transmitter is registered when the machine is switched on, the memory of the receiver will keep the record of the previous operation.

#### Setting Example 1:

In order to register several transmitters with a machine, turn on the machine. When the display indicates »Wireless Detect...«, press the button "A" 1 second on each transmitter within 15 seconds to establish the signal transmission.

#### Setting Example 2:

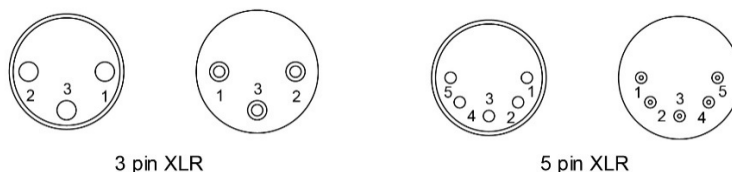
In order to use 1 transmitter to control 2 or more machines, turn on the machines at the same time. When the display indicates »Wireless Detect...«, press the button "A" 1 second on the transmitter within 15 seconds to establish the signal transmission.

#### - Battery change on the transmitter

If the range of the transmitter decreases, the battery is probably exhausted and must be replaced. For this purpose, take off the housing cover and remove the used battery. Insert a fresh 12 V battery, type 27A as indicated in the battery compartment and refit the housing cover.

### DMX Connector Pin Assignment

The machine provides 3 or 5 pin XLR connector for DMX connection. The diagram below indicates pin assignment information



Pin	Function
1	Ground
2	Data-
3	Data+
4	N/A
5	N/A

## DMX512 Settings

Channel A



0 - 5 = off (no output)

6 - 255 = output volume control (1 - 100 % output)

Both models are equipped with a DMX512 system. For connecting a DMX controller, 3-pin and 5-pin male-female XLR connections are provided at the back of each machine. The machines use one control channel for adjusting the output volume. The channel has a DMX value range of 0 to 255. After connecting a DMX controller, timer functions such as output duration and interval can be programmed using the DMX controller or the DMX control software. The machine cannot be controlled via the built-in control panel nor the W-1 wireless remote anymore. By using the DMX protocol, fog machines, lighting effects, and other special effects machines can be interconnected and easily controlled.

**If channel A has a value from 0 to 5, the unit is off.**

**Between the values 6 to 255 the fog output volume is regulated. With 6 being the minimum output volume and 255 approaching the maximum output volume. The output volume rises as the DMX value is increased.**

Note: If, for example, the machine is assigned to the DMX address 124, channel A corresponds to DMX address 124.

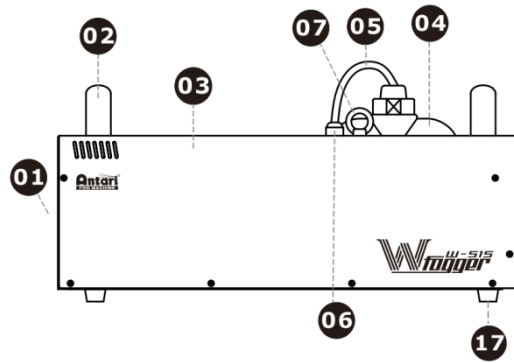
### Note

If you experience low output, pump noise or no output at all, unplug immediately. Check the fluid level, the external fuse, the connection to the remote control, and power from the wall. If all of the above appears to be O.K., plug the unit in again. If fog does not come out after holding the remote button down for 30 seconds, check the hose attached to the tank to make sure there is fluid going through the hose. If you are unable to determine the cause of the problem, do not simply continue pushing the remote button, as this may damage the unit. Return the

machine to your Antari dealer.

## W-515D External View

- 01-Nozzle
- 02-Handle
- 03-Body
- 04-Tank & tank's cap
- 05-PUtube & filter
- 06-Tube adaptor
- 07-Safety



ring

08-Control outlet socket

(3 Pin XLR for DMX)

09-Control inlet socket

(3 Pin XLR for DMX)

10-Control outlet socket

(5 Pin XLR for DMX)

11-Control inlet socket

(5 Pin XLR for DMX)

12-Rocker switch / Power

13-Circuit breaker

14-Power socket

15-W-1 wireless receiver / W-DMX receiver

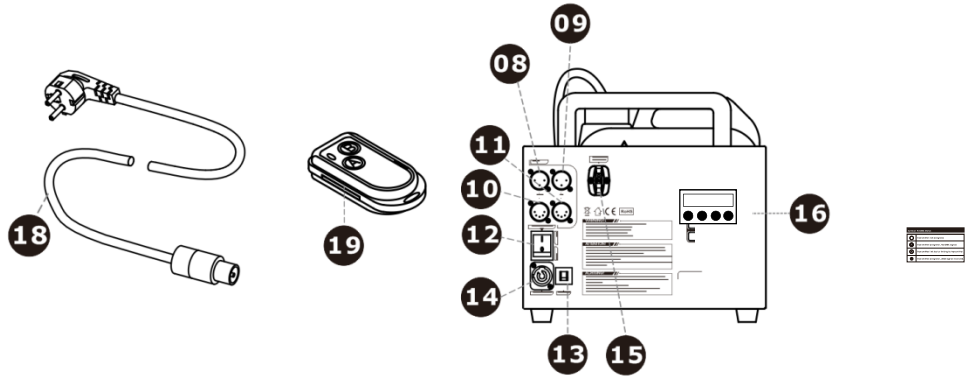
16-Control panel

17-Foot

18-Power cord

19-W-1 wireless transmitter

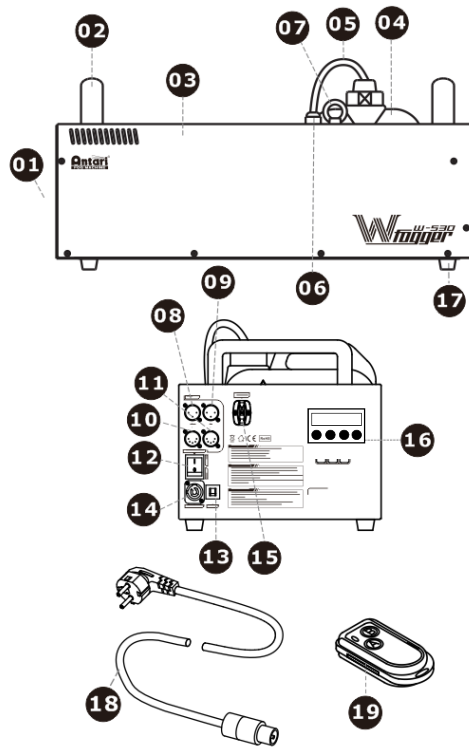




## W-530D External View

01-Nozzle

- 02-Handle
- 03-Body
- 04-Tank & tank's cap
- 05-PU tube & filter
- 06-Tube adaptor
- 07-Safety ring
- 08-Control outlet socket  
(3 Pin XLR for DMX)
- 09-Control inlet socket  
(3 Pin XLR for DMX)
- 10-Control outlet socket  
(5 Pin XLR for DMX)
- 11-Control inlet socket  
(5 Pin XLR for DMX)
- 12-Rocker switch / Power
- 13-Circuit breaker
- 14-Power socket
- 15-W-1 wireless receiver / W-DMX  
receiver
- 16-Control panel
- 17-Foot
- 18-Power cord
- 19-W-1 wireless transmitter



### Performance Note

All fog machines develop condensation around the output nozzle. Because this may result in some moisture accumulation on the surface below the output nozzle, consider this condensation when installing your unit.

All fog machines may sputter small amounts of fog occasionally during operation and for a minute or so after being turned off.

All fog machines have a recycling period after long bursts when the machine will shut itself down for a short period in order to heat up again. During this time no fog can be produced.

### Cleaning and Storage

Do not allow the fog liquid to become contaminated. Always replace the cap on the fog liquid container and the fog machine liquid tank immediately after filling. Cleaning your fog machine regularly can help you to reduce the frequency of parts replacement and maintenance costs. After every 40 hours of continuous operation, it is recommended to use distilled water to clean the heater according to the steps below.

**The recommended cleaning regimen is as follows:**

1. Fill properly distilled water into a clean tank and connect the fluid tube of the fog machine to the tank.
2. Run the unit in a well-ventilated area until the tank is almost empty.
3. Use dry a cloth to wipe the fog machine. Cleaning is now complete. Refill with fog liquid. Run the machine briefly to clear any remaining liquid from the pump and heater.

**Note:** All fog machines are prone to clogging due to the thick consistency of fog liquid and the high temperature at which it vaporizes. However, a properly maintained fog machine should provide years of reliable use.

**Clean with a dry cloth only. Store dry.**

If the fog machine is not in use, please clean it before storage. Store the fog machine in a dry and cool place. Operate the fog machine at least once a month. A test-run consists of warming-up the machine followed by a few minutes of fog emission.

**Technical Specification**

<b>Model</b>	<b>W-515D</b>	<b>W-530D</b>
Input voltage	US model : AC 100-120V, 50/60Hz 12.5A EU model :	EU model : AC 220-240V, 50/60Hz 11A
Rated power	AC 220-240V, 50/60Hz 6.3A 1450W	2500W
Warm-up time	10 minutes (approx.)	12 minutes (approx.)
Fluid consumption	100 ml/min	160 ml/min
Fluid tank capacity	6l (1.59gal)	6l (1.59gal)
Compatible fluid	Antari FLG Heavy Fog Fluid Antari FLR Light Fog Fluid	Antari FLG Heavy Fog Fluid Antari FLR Light Fog Fluid
Ambient temp. range	0°C - 40 °C (32°F-104 °F)	0 °C - 40 °C (32 °F-104 °F)
Output	20,000 ft <sup>3</sup> /min (566 m <sup>3</sup> /min)	40,000 ft <sup>3</sup> /min (1133 m <sup>3</sup> /min)
Control	DMX512, Timer, Manual, Wireless, Wireless DMX	DMX512, Timer, Manual, Wireless, Wireless DMX
DMX channels	1 channel	1 channel
Connection	Neutrik Powercon (Power) XLR 3-pin and 5-pin (DMX)	Neutrik Powercon (Power) XLR 3-pin and 5-pin (DMX)
Optional accessories	FX-5 Flightcase	FX-5 Flightcase
Dimension	W-515-HB Hanging Bracket L561 W278 H265 mm (L22.09 W10.94 H10.43 inch)	W-515-HB Hanging Bracket L581 W278 H265 mm (L22.87 W10.94 H10.43 inch)
Weight	14.5 kg (31.97 lbs)	19.1 kg (42.11 lbs)

**Approval**

This product is in accordance with the R&TTE directive (Radio and Telecommunication Technical Equipment) of the European Union and falls into equipment Class 1. In all EU member countries, the operation of this wireless system is generally approved by the national telecom regulatory authority. The system is license-free. In some countries outside the EU, the operation of this wireless system may need to be approved by the national telecoms regulatory authority.



## Warranty

Warranty shall be valid only if the product is purchased from Antari's authorized distributors or dealers. For warranty service, send the product only to an authorized distributor or dealer.

All warranties are voided if the product has been modified in any manner; if the product has been repaired or serviced by unauthorized personnel; or the product is damaged due to improper use or maintenance as set forth in the instruction manual.

This is not a service contract and does not include standard maintenance or cleaning. All expendables are not covered by this warranty.

Additional warranties provided at the discretion of the distributor dealers shall remain the sole obligation of the distributor or dealer.

Always quote the unit's serial number and model name when contacting your distributor for information or assistance.

**Please read and save these instructions.**





## **Bedienungsanleitung W-515D & W-530D Nebelmaschine**

Herzlichen Glückwunsch zum Kauf Ihrer neuen Antari-Nebelmaschine W-Serie.

### **Einführung**

Vielen Dank, dass Sie sich für eine Antari-Nebelmaschine der W-Serie entschieden haben. Sie sind nun im Besitz einer robusten und leistungsstarken Nebelmaschine. Vor Benutzung der Maschine bitte unbedingt diese Bedienungsanleitung sorgfältig lesen. Wenn Sie die Hinweise in dieser Bedienungsanleitung beachten, können Sie sich in den nächsten Jahren auf eine zuverlässige und überzeugende Leistung Ihrer Antari-Nebelmaschine freuen.

Bitte halten Sie sich an diese Bedienungs- und Sicherheitsanweisungen, um eine langlebige Lebensdauer Ihrer Nebelmaschine sicherzustellen.



#### **ACHTUNG**

Stromschlaggefahr. Trennen Sie das Gerät vom Netz, bevor Sie Flüssigkeit nachfüllen, sowie vor jeder Reinigung und Wartung.

### **Stromschlaggefahr**

- Vor Nässe schützen.
- Nur innerhalb geschlossener Räume betreiben. Nicht für den Betrieb im Freien geeignet.
- Verwenden Sie bitte ausschließlich 3-adrige, geerdete Steckdosen. Vor Inbetriebnahme darauf achten, dass das Gerät an die richtige Spannung angeschlossen wird.
- Vor Befüllen des Tanks ist Ihre Antari-Nebelmaschine immer vom Netz zu trennen.
- Achten Sie darauf, dass die Nebelmaschine stets aufrecht installiert ist.
- Nach dem Betrieb trennen Sie bitte die Maschine vom Netz oder schalten sie aus.
- Diese Maschine ist nicht wassergeschützt. Sollte Feuchtigkeit, Wasser oder Flüssigkeit ins Innere der Maschine gelangen, trennen Sie die Maschine bitte sofort vom Netz und trocknen bzw. reinigen Sie sie. Sollte sich die Maschine nicht reinigen lassen, kontaktieren Sie bitte einen Servicetechniker oder Ihren Antari-Händler bevor Sie die Maschine erneut benutzen.

- Im Innern der Maschine befinden sich keine vom Benutzer zu wartenden Teile. Wenden Sie sich an Ihren autorisierten Fachhändler für Wartungs- und Servicearbeiten.



#### Stromschlaggefahr

- Nur für Erwachsene. Die Maschine muss außerhalb der Reichweite von Kindern installiert werden. Betreiben Sie das Gerät niemals unbeaufsichtigt.
- Richten Sie die Austrittsdüse niemals direkt auf Personen.
- Der Ausstoß der Maschine ist sehr heiß. Halten Sie während des Betriebs einen Sicherheitsabstand von ca. 50 cm zur Austrittsdüse ein.
- Betreiben Sie das Gerät in gut belüfteten Räumen, bis der Tank leer ist. Bedecken Sie niemals den Luftaustritt der Maschine. Um eine ausreichende Belüftung zu gewährleisten, halten Sie bitte einen Mindestabstand von etwa 20 cm um und über der Maschine ein.
- Richten Sie die Austrittsdüse niemals auf offene Flammen.
- Wenn die Netzleitung beschädigt wird, muss sie durch den autorisierten Fachhandel ersetzt werden, um Gefährdungen zu vermeiden.
- Die Austrittsdüse wird während des Betriebs sehr heiß (200° C). Für leicht entflammbare Materialien muss ein Mindestabstand von 50 cm zur Austrittsdüse eingehalten werden.
- Lassen Sie die Maschine immer vor Reinigungs- und Wartungsarbeiten abkühlen.



#### Explosionsgefahr

- Mischen Sie niemals entzündliche Flüssigkeiten jeglicher Art (Öl, Gas, Duftstoffe) unter die Nebelflüssigkeit.
- Verwenden Sie ausschließlich hochwertige und von Ihrem Händler empfohlene Nebelflüssigkeiten auf Wasserbasis. Andere Nebelflüssigkeiten können zum Verstopfen oder Tropfendes Gerätes führen.
- Achten Sie unbedingt darauf, dass sich immer eine ausreichende Menge Nebelflüssigkeit im Tank befindet. Der Betrieb ohne Nebelflüssigkeit führt zu Pumpenschäden und zur Überhitzung des Heizelementes.
- Sollte Ihre Antari-Nebelmaschine einmal nicht mehr ordnungsgemäß arbeiten, schalten Sie sie bitte sofort ab. Entleeren Sie den Tank vollständig, verpacken Sie die Maschine sorgfältig (am besten in der Originalverpackung) und schicken Sie sie bei Ihrem Antari-Händler ein.
- Entleeren Sie den Tank immer, bevor Sie das Gerät verschicken oder transportieren.
- Trinken Sie niemals Nebelflüssigkeit. Sollte es dennoch einmal verschluckt werden, konsultieren Sie bitte sofort einen Arzt. Sollte die Haut oder die Augen einmal mit Nebelflüssigkeit in Berührung kommen, bitte sorgfältig mit Wasser auswaschen.

**Hinweis:** Bitte beachten Sie alle auf Ihrer Antari-Maschine angebrachten Warnhinweise und Anweisungen.

## Auspacken und Prüfen der Maschine

Öffnen Sie den Versandkarton und stellen Sie sicher, dass alle Teile, die für den Betrieb des Systems notwendig sind, in einem einwandfreien Zustand eingetroffen sind.

Der Versandkarton sollte die folgenden Posten beinhalten:

1. Eine Nebelmaschine W-515DoderW-530D
2. Netzkabel
3. Eine W-1 Sendeeinheit
4. Bedienungsanleitung

**Wenn Ausrüstungsteile fehlen sollten, nehmen Sie bitte sofort mit Ihrem Antari-Händler Kontakt auf.**

Bevor Sie mit der Inbetriebnahme Ihrer Antari-Maschine beginnen, stellen Sie sicher, dass kein offensichtlicher Transportschaden vorliegt. Falls das Gehäuse der Einheit oder das Kabel beschädigt sein sollte, stecken Sie sie nicht in die Steckdose und versuchen Sie nicht, sie zu benutzen, bevor Sie Ihren Antari-Händler kontaktiert haben.

### Inbetriebnahme

- o Entfernen Sie jegliches Verpackungsmaterial vom Versandkarton. Vergewissern Sie sich, dass alle Schaumstoff- und Plastikeinlagen entfernt werden, insbesondere in der Nähe der Austrittsdüse.
- o Installieren Sie die Nebelmaschine auf einer ebenen Oberfläche und schrauben Sie den Deckel des Flüssigkeitstanks ab.
- o Stecken Sie den Flüssigkeitsschlauch in einen ordnungsgemäß gefüllten Flüssigkeitstank.
- o Füllen Sie den Tank mit den Antari-NebelflüssigkeitenFLRoderFLGoder anderen hochwertigen Nebelflüssigkeiten auf Wasserbasis, die von Ihrem Händler empfohlen wurden. Alle anderen Nebelflüssigkeiten können Beschädigungen am Gerät zur Folge haben. Nach dem Befüllen verschließen Sie den Tank bitte wieder mit dem Deckel. Achten Sie darauf, den Tank nicht zu überfüllen.NICHTÜBERFÜLLEN.

## Bedienung

### Bedienfeld

Das integrierte Bedienfeld auf der Maschinenrückseite verfügt über eineLCD-Anzeige, auf der alle Betriebszustände der Maschine abgelesen werden können. Mit dem Bedienfeld kann der Anwender individuell Nebeldauer, Intervall, und Ausstoßvolumen sowie dieDMX-Adresse, die W-DMX-Adresse, die Funkfunktion und den Flüssigkeitssensor einstellen. Das Bedienfeld umfasst 4Tasten. Alle Betriebsparameter werden automatisch in einem nichtflüchtigen Speicher gespeichert. Dadurch bleiben alle Einstellungen erhalten, auch wenn die Maschine ausgeschaltet wird.

Nach dem Einschalten zeigt das Display kurz »Antari W-515D/W-530D«.

Jetzt lässt sich die Menüsprache von Englisch auf Chinesisch umstellen. Halten Sie dazu die Taste MENU 2 Sekunden gedrückt.

Dann zeigt das Display für 15 Sekunden »Wireless Detect...«. Während dieser Zeit können dem Gerät W-1 Sendeeinheiten zugewiesen werden. Drücken Sie

dazu die Taste "A" 1 Sekunde auf den Sendeeinheiten. Bei ausgeschalteter Funkfunktion, erscheint die Anzeige »Wireless Detect...« nicht.

Danach beginnt die Aufheizphase und das Display zeigt »Warming Up«. Während der Aufheizphase kann noch kein Nebel ausgestoßen werden. Nehmen Sie die notwendigen Menüeinstellungen mit dem Tastenfeld auf der Empfängereinheit vor. Sobald die Aufheizphase beendet ist, ist die Nebelmaschine bereit zum Nebelausstoß. Das Display zeigt »Ready to Fog«.

Zusätzlich wird »P« für W-DMX, »W« für Wireless [Funk] oder »S« für Fluid Sensor [Flüssigkeitssensor] angezeigt, wenn diese Funktionen aktiviert sind.

#### **- Menüeinstellungen mit der Taste MENU**

- Zeitintervalle für den Timer-Betrieb einstellen

Drücken Sie die Taste MENU, bis auf der Anzeige »Interval Set« [Intervall einstellen] erscheint. Verwenden Sie die Tasten UP und DOWN, um die Zeitintervalle (d.h. die Pausen zwischen den einzelnen Nebelausstößen) für den Timer-Betrieb zwischen 5 und 200 Sekunden einzustellen.

- Nebeldauer für den Timer-Betrieb einstellen

Drücken Sie die Taste MENU, bis auf der Anzeige »Duration Set« [Zeitdauer einstellen] erscheint. Verwenden Sie die Tasten UP und DOWN, um die Zeitdauer der Nebelausstöße zwischen 1 und 200 Sekunden einzustellen.

- Nebelmenge für den Timer-Betrieb einstellen

Drücken Sie die Taste MENU, bis auf der Anzeige »Timer Output« [Nebelmenge einstellen] erscheint. Verwenden Sie die Tasten UP und DOWN, um einen Wert zwischen 1 % und 100 % für die Nebelmenge im Timer-Betrieb einzustellen.

- Nebelmenge für den Dauerbetrieb einstellen

1. Drücken Sie die Taste MENU, bis auf der Anzeige »Volume Output« [Nebelmenge einstellen] erscheint. Verwenden Sie die Tasten UP und DOWN, um einen Wert zwischen 1 % und 100 % für die Nebelmenge im Dauerbetrieb einzustellen.

2. Um die maximale Nebelmenge im Dauerbetrieb ausstoßen zu können, wählen Sie die Einstellung »NONSTOPBURST«. Diese lässt sich unter einem Wert von 1 % oder über einem Wert von 100 % anwählen.

**HINWEIS:** Wird ein Wert für die Nebelmenge im Dauerbetrieb über 30 % eingestellt, unterbricht die Maschine den Nebelausstoß von Zeit zu Zeit, um wiederaufzuheizen. Wird »NONSTOPBURST« gewählt, reguliert die Maschine die Nebelmenge und die Heiztemperatur automatisch und muss den Nebelausstoß nicht unterbrechen, um aufzuheizen.

- DMX512-Adresse einstellen

Drücken Sie die Taste MENU, bis auf der Anzeige »DMX512 Address: 001« [DMX512-Adresse einstellen] erscheint. Verwenden Sie die Tasten UP und DOWN, um die Maschine auf die DMX-Adresse Ihres DMX-Steuergeräts einzustellen. Bitte beachten Sie Kapitel DMX512-Einstellungen für weiterführende Informationen zum DMX-Betrieb.

- Funkfunktion an- und ausschalten

Drücken Sie die Taste MENU, bis auf der Anzeige »Wireless ON« [Funkfunktion An] erscheint. Verwenden Sie die Tasten UP und DOWN, um die Funkfunktion zu deaktivieren [Anzeige »Wireless OFF«] und wieder zu aktivieren [Anzeige »Wireless ON«].

- Flüssigkeitssensor an- und ausschalten

Drücken Sie die Taste MENU, bis auf der Anzeige »Fluid Sensor Set ON« [Flüssigkeitssensor An] erscheint. Verwenden Sie die Tasten UP und DOWN, um den Flüssigkeitssensor zu deaktivieren [Anzeige »Fluid Sensor Set OFF«] und wieder zu aktivieren [Anzeige »Fluid Sensor Set ON«].

- W-DMX-Funktion an- und ausschalten

Drücken Sie die Taste MENU, bis auf der Anzeige »W-DMX Power ON« [W-DMX-Funktion An] erscheint. Verwenden Sie die Tasten UP und DOWN, um die Funkfunktion zu deaktivieren [Anzeige »W-DMX Power OFF«] und wieder zu aktivieren [Anzeige »W-DMX Power ON«].

**Hinweis:**

Ist die W-DMX-Funktion aktiviert, wird der Verbindungsstatus im Display durch folgende Symbole angezeigt.

Status der W-DMX-Verbindung	Symbol im Display
Sender adressiert, DMX-Signal wird empfangen	●
Sender adressiert, kein DMX-Signal	⊙
Verbindung zu Sender verloren oder Verbindungsaufbau	⊖
Sender nicht adressiert	○

- W-DMX512-Adresse einstellen

Drücken Sie die Taste MENU, bis auf der Anzeige »W-DMX Address: 001« [W-DMX-Adresse einstellen] erscheint. Verwenden Sie die Tasten UP und DOWN, um die Maschine auf die DMX-Adresse Ihres W-DMX-Steuergeräts einzustellen.

- W-DMX-Verbindung zurücksetzen

Drücken Sie die Taste MENU, bis auf der Anzeige »W-DMX Reset OFF« [W-DMX-Verbindung zurücksetzen aus] erscheint. Verwenden Sie die Tasten UP und DOWN, um die W-DMX-Verbindung zurückzusetzen.

• Mit letzter Einstellung starten an- und ausschalten

Drücken Sie die Taste MENU, bis auf der Anzeige » Run Last Setting ON« [Mit letzter Einstellung starten an] erscheint. Verwenden Sie die Tasten UP und DOWN, um die Funktion zu deaktivieren [Anzeige »Run Last Setting OFF«] und wieder zu aktivieren [Anzeige » Run Last Setting ON«].

#### **- Dauerbetrieb**

Drücken Sie die Taste VOLUME, um einen dauerhaften Nebelausstoß auszulösen. Auf dem Display erscheint »Volume Output« gefolgt von dem Wert, der im Menüpunkt »Volume Output« [Nebelvolumen einstellen] eingestellt wurde oder bei Dauernebel »NONSTOPBURST«. Um den Nebelausstoß zu stoppen, drücken Sie erneut die Taste STOP.

**HINWEIS:** Ist ein Wert für die Nebelmenge im Dauerbetrieb über 30 % eingestellt, unterbricht die Maschine den Nebelausstoß von Zeit zu Zeit, um wieder aufzuheizen. Ist »NONSTOPBURST« gewählt, reguliert die Maschine die Nebelmenge und die Heiztemperatur automatisch und muss den Nebelausstoß nicht unterbrechen, um aufzuheizen.

#### **- Timer-Betrieb**

Im Timer-Betrieb stößt das Gerät automatisch Nebel aus. Die Zeitintervalle, die Nebeldauer und das Nebelvolumen richten sich nach den jeweiligen Menüeinstellungen. Drücken Sie die Taste TIMER, um den Timer-Modus zu aktivieren. Auf dem Display erscheint das eingestellte Zeitintervall. Das Gerät zählt rückwärts bis auf 0 Sekunden und löst den Nebelausstoß aus. Zum Ausschalten des Timer-Betriebs drücken Sie erneut die Taste STOP.

### **W-1 Funkfernbedienung**

Das Funkfernsteuersystem W-1 besteht aus einer Sendeeinheit mit zwei Tasten für den Nebelausstoß und einer Empfängereinheit, die an jedem Modell der W-Serie vorinstalliert ist.

#### **\* Sendeeinheit:**



Mit der Sendeeinheit lässt sich der Nebelausstoß per Funkübertragung über eine Distanz von bis zu 50 Metern auslösen. Die Sendeeinheit ist kompatibel zu allen

Empfängern der W-Serie und kann eine unbegrenzte Anzahl von Maschinen parallel steuern.

Drücken Sie die Taste "A", um den Nebelausstoß auszulösen. Die Taste "A" hat die gleiche Funktion wie die Taste VOLUME am Bedienfeld, d. h. der Nebelausstoß richtet sich nach der Einstellung im Menüpunkt »Volume Output« [Nebelvolumen einstellen]. Auf dem Display erscheint »Volume« gefolgt von dem festgelegten Wert oder bei der maximalen Nebelmenge »NON STOP BURST«. Als zusätzliche Kontrolle, leuchtet die blaue LED. Um den Nebelausstoß zu stoppen, drücken Sie die Taste "B".

**\* Empfänger:**



Der Empfänger wird getestet und an den Maschinen der W-Serie vorinstalliert. Versuchen Sie nicht, den Empfänger zu entfernen. Der Empfänger kann von bis zu 5 Sendeeinheiten gesteuert werden, die auf die Maschine adressiert sind. Die mitgelieferte Sendeeinheit ist vor der Auslieferung adressiert worden. Sie erfordert keine Konfiguration und kann sofort verwendet werden.

**- Sendeeinheiten adressieren**

Um eine andere Sendeeinheit als die mitgelieferte zur Steuerung der Maschine zu verwenden oder um die Maschine mit bis zu 5 verschiedenen Sendeeinheiten zu steuern, muss jede Sendeeinheit zuvor adressiert werden. Schalten Sie dazu die Maschine ein. Drücken Sie die Taste "A" 1 Sekunde auf jeder Sendeeinheit, wenn auf der Anzeige »Wireless Detect...« erscheint. Dadurch werden alle zuvor adressierten Sendeeinheiten aus dem Speicher des Empfängers gelöscht. Die Adressierung muss innerhalb von 15 Sekunden erfolgen.

Wird keine neue Sendeeinheit nach dem Einschalten der Maschine adressiert, bleibt die Einstellung aus dem vorhergehenden Betrieb im Empfänger erhalten.

**Adressierungsbeispiel 1:**

Sollen mehrere Sendeeinheiten auf eine Maschine adressiert werden, schalten Sie die Maschine ein. Drücken Sie die Taste "A" 1 Sekunde an jeder Sendeeinheit, wenn auf der Anzeige »Wireless Detect...« erscheint, um die Steuerungsverbindung herzustellen (innerhalb von 15 Sekunden).

**Adressierungsbeispiel 2:**

Soll eine Sendeeinheit zur Steuerung von zwei oder mehr Maschinen verwendet werden, müssen die Maschinen gleichzeitig eingeschaltet werden. Drücken Sie die Taste "A" 1 Sekunde auf der Sendeeinheit, wenn auf der

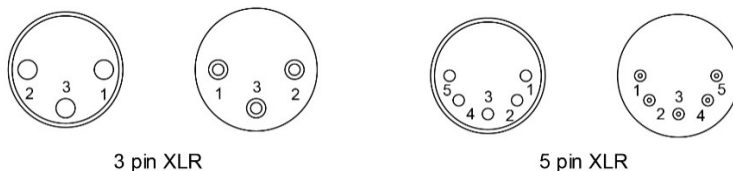
Anzeige »Wireless Detect...« erscheint, um die Steuerverbindung herzustellen.

#### **-Batteriewechsel an der Sendeeinheit**

Lässt die Reichweite der Sendeeinheit nach, ist wahrscheinlich die Batterie verbraucht und muss ausgewechselt werden. Lösen Sie dazu die Gehäuseabdeckung und entfernen Sie die verbrauchte Batterie. Legen Sie eine frische 12-V-Batterie Typ 27A wie im Batteriefach angegeben ein und bringen Sie die Gehäuseabdeckung wieder an.

#### **Belegung der DMX-Anschlüsse**

Die Maschine verfügt über 3-polige und 5-polige XLR-Anschlüsse für den Anschluss an einen DMX-Controller. Die nachfolgende Grafik zeigt die Belegung der Buchsen.



Kontakt	Funktion
1	Masse
2	Signal-
3	Signal+

#### **DMX512-Einstellungen**

Kanal A



0 - 5 = aus (kein Ausstoß)

6 - 255 = Ausstoßregulierung (1 - 100 %)

Beide Modelle verfügen über DMX-Ansteuerung. Für den Anschluss an einen DMX-Controller sind 3-polige und 5-polige DMX-Anschlüsse auf der Rückseite der Maschinen angebracht. Die Maschinen können über einen Steuerkanal im Ausstoß reguliert werden. Der Kanal bewegt sich innerhalb der DMX-Werte 0 bis 255. Nach dem Anschluss an einen DMX-Controller können Timer- Funktionen wie Nebeldauer und Intervall über den DMX-Controller oder die DMX-Steuerungssoftware programmiert werden. Die Bedienfelder oder die Funkfernsteuerungen W-1 können nun nicht mehr zur Steuerung der Maschinen verwendet werden. Durch die Verwendung des DMX- Steuerprotokolls können Nebelmaschinen, Lichteffekte und andere Effektgeräte innerhalb eines Verbunds ganz leicht gesteuert werden.



**Zwischen den Werten 0 und 5 von Steuerkanal A ist die Maschine aus.**

**Zwischen den Werten 6 bis 255 wird der Ausstoß reguliert. Dabei entspricht der Wert 6 einem minimalen und 255 einem maximalen Ausstoß. Der Ausstoß steigt mit zunehmendem DMX-Wert.**

Hinweis: Wird das Gerät zum Beispiel auf die DMX-Startadresse 124 kodiert, entspricht Kanal A genau dieser DMX-Startadresse.

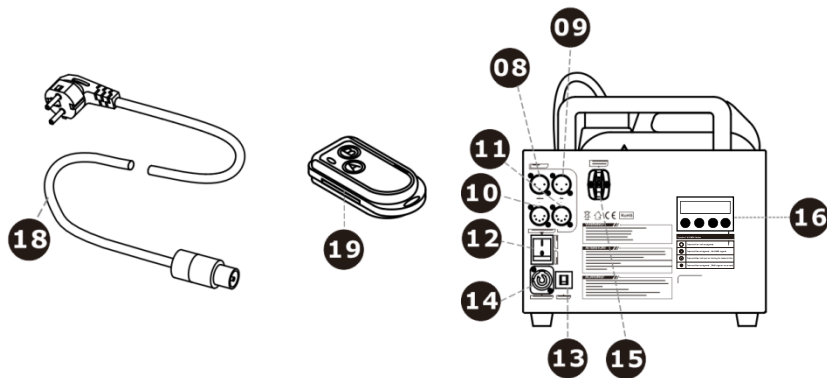
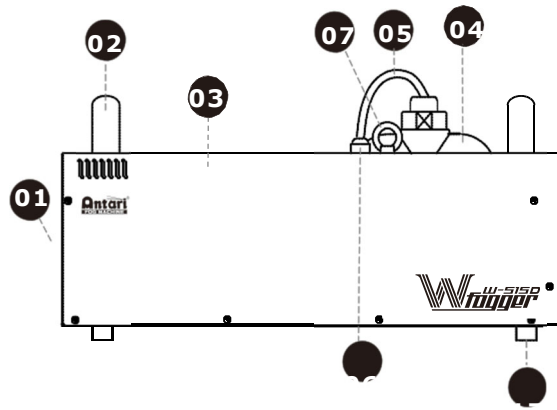
**Hinweis:**

Sollten Sie einen verminderten Ausstoß, Pumpgeräusche oder überhaupt keinen Ausstoß feststellen, sofort die Maschine vom Netz trennen. Kontrollieren Sie den Flüssigkeitsstand, die externe Sicherung, den Anschluss zur Fernbedienung und die Stromversorgung. Sollte nach 30

Sekunden permanenten Drückens des Fernbedienungsknopfes immer noch kein Ausstoß erfolgen, überprüfen Sie bitte den Verbindungsschlauch zum Tank und vergewissern Sie sich, dass Nebelflüssigkeit hindurch fließen kann. Wenn Sie die Ursache des Problems nicht feststellen können, drücken Sie bitte nicht weiter die Fernbedienungstaste, da dies zu Schäden am Gerät führen kann. Schicken Sie das Gerät bei Ihrem Antari-Händler ein.

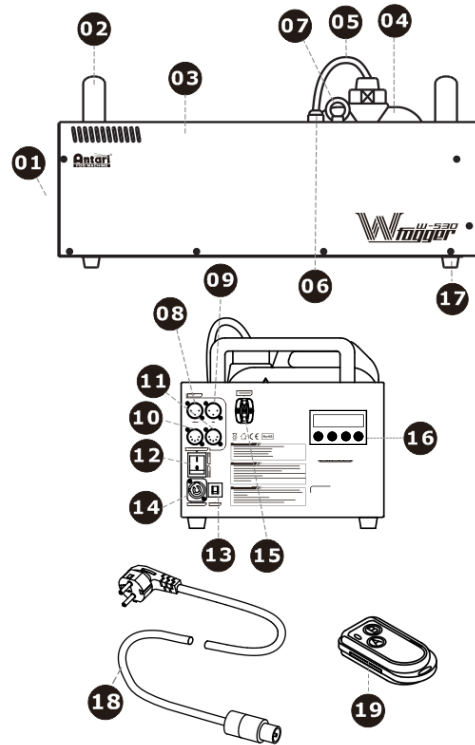
## W-515D Bedienelemente

- 01- Düse
- 02- Griff
- 03- Gehäuse
- 04- Tankverschluss & Tank
- 05- PU-Schlauch & Filter
- 06- Schlauchadapter
- 07- Fangseilöse
- 08- DMX-Ausgang  
(3-pol.XLR)
- 09- DMX-Ausgang  
(3-pol.XLR)
- 10- DMX-Ausgang  
(5-pol.XLR)
- 11- DMX-Ausgang  
(5-pol.XLR)
- 12- Netzschalter
- 13- Schutzschalter
- 14- Betriebsanzeige
- 15- W-1 / W-DMX Funkempfänger
- 16- Bedienfeld
- 17- Fuß
- 18- Netzkabel
- 19- W-1 Sendeeinheit



## W-530D Bedienelemente

- 01- Düse
- 02- Griff
- 03- Gehäuse
- 04- Tankverschluss & Tank
- 05- PU-Schlauch & Filter
- 06- Schlauchadapter
- 07- Fangseilöse
- 08- DMX-Ausgang (3-pol. XLR)
- 09- DMX-Ausgang (3-pol. XLR)
- 10- DMX-Ausgang (5-pol. XLR)
- 11- DMX-Ausgang (5-pol. XLR)
- 12- Netzschalter
- 13- Schutzschalter
- 14- Betriebsanzeige
- 15- W-1 / W-DMX Funkempfänger
- 16- Bedienfeld
- 17- Fuß
- 18- Netzkabel
- 19- W-1 Sendeeinheit



Wagner



## Hinweise zur Leistung

Alle Nebelmaschinen bilden um die Austrittsdüse Kondenswasser. Beachten Sie bitte bei der Installation, dass dies zu Flüssigkeitsansammlungen unterhalb der Austrittsdüse führen kann.

Alle Nebelmaschinen können während des Betriebs oder kurz nachdem dem Ausschalten noch geringfügig Nebel ausstoßen.

Alle Nebelmaschinen benötigen nach längerem Dauerbetrieb Betriebspausen, um wiederauf die korrekte Betriebstemperatur zu kommen. Während diesen Pausen ist kein Nebelausstoß möglich.

## Reinigung und Wartung

Achten Sie darauf, dass die Nebelflüssigkeit nicht verunreinigt wird. Setzen Sie sofort nach Befüllen des Tanks den Deckel des Tanks sowie des Kanister wieder auf. Reinigen Sie Ihr Nebelgerät regelmäßig, um hohe Kosten für Ersatzteile und Reparaturen zu vermeiden. Nach 40 Betriebsstunden wird empfohlen, das Heizelement mit destilliertem Wasser zu reinigen.

**Bitte gehen Sie wie folgt vor:**

1. Füllen Sie destilliertes Wasser in den sauberen Tank und stecken Sie den Flüssigkeitsschlauch in den Tank.
2. Betreiben Sie das Gerät in gut belüfteten Räumen, bis der Tank fast leer ist.
3. Reinigen Sie die Maschine mit einem trockenen Tuch. Die Reinigung ist damit abgeschlossen. Füllen Sie den Tank wieder mit Nebelflüssigkeit. Betreiben Sie kurz die Maschine um die Pumpe und die Heizung von der Reinigungslösung zu säubern.

**Hinweis:**

Alle Nebelmaschinen sind aufgrund der Dickflüssigkeit der Nebelflüssigkeit und der hohen Verdampfungstemperatur anfällig für Verstopfungen. Trotzdem sollte eine regelmäßig gewartete Nebelmaschine Ihnen jahrelang treue Dienste leisten.

**Reinigen Sie das Gerät nur mit einem trockenen Tuch. Trocken lagern.**

Reinigen Sie die Maschine vor jeder Lagerung. Lagern Sie die Maschine kühl und trocken. Betreiben Sie die Maschine mindestens einmal im Monat. Wir empfehlen Ihnen monatlich an der Maschine einen Testlauf durchzuführen, der aus einer Aufwärmzeit besteht und einigen Minuten Nebelausstoß.

**Technische Daten****Modell****W-515D**

Spannungsversorgung	US model : AC 100-120V, 50/60Hz 12,5A EU model : AC 220-240V, 50/60Hz 6,3A
Gesamtanschlusswert	1450W
Aufwärmzeit	10 Minuten (ca.)
Fluidverbrauch	100 ml/min
Tankinhalt	6l (1,59gal)
Kompatible Nebelflüssigkeit	Antari FLG Nebelflüssigkeit Antari FLR Nebelflüssigkeit
Umgebungstemperaturbereich	0°C - 40 °C (32°F-104 °F)
Leistung	20.000 ft <sup>3</sup> /min (566 m <sup>3</sup> /min)
Steuerung	DMX512, Timer, manuell, W-DMX
DMX-Kanäle	1 Kanal
Anschluss	Neutrik Powercon (Power) XLR 3-pol und 5-pol (DMX)
Zubehör	FX-5 Flightcase W-515-HB Montagebügel
Maße	L561 B278 H265 mm (L22,09 B10,94 H10,43 inch)
Gewicht	14,5 kg (31,97 lbs)

<b>Modell</b>	<b>W-530D</b>
Spannungsversorgung	EU model : AC 220-240V, 50 / 60Hz 11A
Gesamtanschlusswert	2500W
Aufwärmzeit	12 Minuten (ca.)
Fluidverbrauch	160 ml/min
Tankinhalt	6l (1,59gal)
Kompatible Nebelflüssigkeit	Antari FLG Heavy Fog Nebelflüssigkeit Antari FLR Light Fog Nebelflüssigkeit
Umgebungstemperaturbereich	0 °C - 40 °C (32 °F-104 °F)
Leistung	40.000 ft <sup>3</sup> /min (1133 m <sup>3</sup> /min)
Steuerung	DMX512, Timer, manuell, W-DMX
DMX-Kanäle	1 Kanal
Anschluss	Neutrik Powercon (Power) XLR 3-pol und 5-pol (DMX)
Zubehör	FX-5 Flightcase W-515-HB Montagebügel
Maße	L581 B278 H265 mm (L22,87 B10,94 H10,43 inch)
Gewicht	19,1 kg (42,11 lbs)

## Zulassung

Dieses Produkt entspricht der R&TTE-Richtlinie (Radio and Telecommunication Technical Equipment) der Europäischen Union und der Geräteklasse 1. Das Produkt besitzt eine Allgemeinzuteilung in den Staaten der Europäischen Union und ist anmelde- und gebührenfrei. Für den Betrieb in einem anderen Land außerhalb der EU kann es notwendig sein, eine Zulassung bei den nationalen Behörden zu beantragen.



## Garantiebestimmungen

Es gilt die gesetzliche Regelung. Antari Lighting and Effect Ltd. gewährt für alle in der Europäischen Union erworbenen und betriebenen Geräte eine Garantiezeit von 2 Jahren ab Kaufdatum. Für alle anderen Länder gilt eine Garantiezeit von 6 Monaten. Innerhalb dieses Zeitraums wird ein defektes Gerät kostenfrei durch den Antari-Händler, bei dem das Gerät erworben wurde, repariert oder ersetzt.

Diese Garantie gilt nicht für Geräte, die entgegen der bestimmungsgemäßen Verwendung eingesetzt wurden oder bei unsachgemäßem Gebrauch und/oder entgegen der Hinweise in der Bedienungsanleitung. Diese Garantie erlischt auch, wenn das Gerät von ungeschulten Personen geöffnet, verändert oder repariert wurde.

Der Betreiber dieses Gerätes ist verpflichtet, die Anweisungen in der Bedienungsanleitung zu beachten und insbesondere die Hinweise zur Reinigung, Pflege und Wartung zu befolgen. In einem Garantiefall ist nebeneiner Fehlerbeschreibung auch eine Kopie des Kaufbeleges beizulegen. Bitte bewahren Sie diese Anleitung gut auf.



## Mode d'emploi Antari W-515D & W-530D Machine à Fumée

Nous vous félicitons pour l'achat de votre nouvelle machine à fumée Antari

### Introduction

Nous vous remercions d'avoir choisi une machine à fumée Antari. Vous êtes en possession d'un produit robuste et puissant. En vue d'utiliser correctement votre nouvel appareil, veuillez lire attentivement le mode d'emploi. Si vous respectez les instructions suivantes, vous profiterez d'une performance solide et convaincante de votre machine à fumée d'Antari pour de nombreuses années.

Pour assurer la longévité et le bon fonctionnement de votre machine à fumée, veuillez lire attentivement les instructions suivantes concernant le maniement, la sécurité et l'entretien.



**ATTENTION :**  
Risques d'Electrocution. Démontez l'approvisionnement électrique de l'appareil avant de retirer la couverture.

### Risques d'Electrocution

- o Protéger de l'humidité.
- o L'appareil est conçu pour un emploi dans des locaux clos. Ne pas utiliser à l'extérieur.
- o Utilisez uniquement des prises de courant à terre à 3 broches. Avant la première mise en marche, assurez-vous que l'appareil soit branché à l'alimentation correcte.
- o Débranchez l'appareil avant de remplir le réservoir. Assurez-vous d'installer la machine à fumée toujours droit.
- o Mettre la machine hors de service quand vous n'utilisez pas la machine.
- o Cette machine est protégée contre les éclaboussures et les projections d'eau. Si de l'humidité, du liquide ou du liquide à fumée devait pénétrer à l'intérieur de l'appareil, débranchez le immédiatement et contactez un technicien ou votre revendeur Antari avant de le réutiliser.
- o A l'intérieur de l'appareil, il n'y a aucune partie qui ait besoin d'être révisée. Les travaux d'entretien sont à faire effectuer par votre revendeur Antari ou

par des spécialistes.



#### Danger d'Incendie

- L'usage de cet appareil n'est prévu que pour les adultes. Installez-le hors de portée des enfants. Ne jamais faire marcher sans surveillance.
- Ne jamais braquer le bec de l'appareil directement sur des personnes.
- Le débit de la machine à fumée est très chaud. Pendant que la machine est en marche, respectez une distance d'environ 50 cm vis-à-vis son bec.
- Faites marcher la machine dans une salle bien aérée jusqu'à ce que son réservoir soit vide. Ne jamais couvrir les orifices d'aération. Pour garantir une aération suffisante, laissez un espace libre de 20 cm tout autour de l'appareil. Ne jamais braquer le bec de la machine sur des flammes.
- Quand le câble secteur de cet appareil est endommagé, il doit être remplacé par un installateur agréé pour éviter des dangers.
- Le bec de la machine devient très chaud (200° C) pendant son fonctionnement. Respectez une distance minimum de 50 cm entre le bec de la machine et les matériaux inflammables.
- Laissez refroidir la machine à fumée d'Antari avant toute manipulation.



#### Risques d'Explosion

- Ne jamais mélanger des liquides inflammables gazeux ou huileux avec le liquide à fumée.
- Employez uniquement des liquides à fumée de haute qualité à base d'eau recommandée par votre revendeur. D'autres liquides à fumée pourraient causer des problèmes d'encrassement ou des crachotements.
- Faites attention qu'il y ait toujours suffisamment de liquide à fumée dans le réservoir. Un emploi sans liquide pourrait endommager la pompe ou provoquer la surchauffe de l'élément de chauffage.
- Si votre machine à fumée d'Antari ne devait plus fonctionner correctement, éteignez-la immédiatement. Videz complètement le réservoir, emballez-le soigneusement (au mieux dans son emballage d'origine) et l'envoyez-le à votre revendeur Antari.
- Toujours vider le réservoir avant d'envoyer ou transporter l'appareil.
- Ne jamais avaler le liquide à fumée. Si c'était tout de même le cas, consultez un médecin immédiatement. En cas de contact avec la peau ou les yeux, rincer à grande eau.

**Remarque :** Veuillez suivre toute instruction de sécurité appliquée sur le boîtier de votre machine à fumée d'Antari.

## Déballage & Inspection

Ouvrez le carton extérieur et assurez-vous que toutes les pièces n'aient subi aucun dommage durant leur transport.

Assurez-vous que le carton d'expédition contient les articles suivants:

1. Une unité de W-515D ou W-530D Machine à Fumée
2. Câble d'alimentation
3. Une unité de W-1 Transmetteur
4. Mode d'emploi

**Servez-vous de la liste des accessoires ci-jointe pour vérifier si votre modèle vous a été livré avec son équipement complet.**

En cas de livraison endommagée ou incomplète, toujours contactez immédiatement votre revendeur Antari.

## Mise en Marche

- Enlevez tout matériau d'emballage. Assurez-vous d'avoir enlevé toute la mousse et le rembourrage en plastique, sûr tout au bec de la machine. Placez la machine à fumée sur une surface plane et dévissez le couvercle du réservoir du liquide à fumée.
- Insérez le tuyau de liquide dans le réservoir plein.
- Employez uniquement des liquides à fumée de haute qualité à base d'eau recommandée par votre revendeur. Remplissez le réservoir de liquide à fumée ANTARI FLRou FLGou d'un autre liquide à fumée de haute qualité à base d'eau. D'autres liquides à fumée pourraient causer des problèmes d'encrassement ou des crachotements. Refermez le réservoir. Veuillez faire attention de ne jamais dépasser le niveau maximale de liquide.

## Opération

### Panneau de Contrôle

Le panneau de contrôle intégré est équipé d'un écran LCD qui affiche les différentes étapes du fonctionnement de la machine. Le panneau de contrôle permet de régler les fonctions de la machine en ajustant la durée de la fumée, l'intervalle, la quantité ainsi que la configuration DMX, W-DMX, la fonction sans fil et le détecteur de liquide. Il y a 4 boutons sur le panneau de contrôle. L'écran LCD des paramètres d'utilisation sont automatiquement munis d'une mémoire constante qui permet à la machine de ne perdre aucun réglage des fonctions lorsqu'elle est éteinte.

Après être mis en service, l'écran LCD indique brièvement «Antari W-515D/W-530». Maintenant, vous pouvez choisir la langue du panneau de contrôle. Appuyez sur le bouton MENU pour changer la langue : de l'anglais au chinois.

Puis l'écran indique «Wireless Detect...» (sans fil detect) pour 15 secondes. Pendant l'intervalle de 15 secondes, l'utilisateur peut enregistrer un ou plusieurs de transmetteurs en pressant le bouton "A" sur chaque transmetteur. Quand la fonction sans fil n'est pas activée, «Wireless Detect...» ne sera pas indiqué.



Puis la machine commence à réchauffer et l'écranLCDindique »Warming Up«. Pendant la phase de chauffe, l'appareil ne peut pas encore dégager de lafumée. Enregistrez vos réglages à l'aide du panneau de contrôle. Quand le temps de préchauffage est terminé, l'émission de fumée est possible. L'écran LCDindique »Ready to Fog«. De plus, l'écran indique»P« pour W-DMX, »W« pour transmetteur sans fil ou »S« pour senseur de liquide quand ces fonctions sont activées.

#### **-Réglage de menu avec le bouton MENU**

- Réglage de l'intervalle pour le fonctionnement timer  
Appuyez sur le boutonMENUjusqu'à ce que l'écran indique »IntervalSet« [réglage de l'intervalle]. Utilisez les boutons UP et DOWN pour ajuster les intervalles entre les dégagements individuels de fumée pour le fonctionnement timer (plage de réglage : 5 à 200 secondes).
- Réglage de la durée pour fonctionnement timer  
Appuyez sur le bouton MENU jusqu'à ce que l'écran indique »Duration Set« [réglage de la durée]. Utilisez les boutons UP et DOWN pour ajuster la durée de chaque dégagement de fumée entre 1 à 200 secondes.
- Réglage du volume de fumée pour le fonctionnement timer  
Appuyez sur le bouton MENU jusqu'à ce que l'écran indique »Timer Out« [réglage du volume de fumée]. Utilisez les boutons UP et DOWN pour ajuster le volume de fumée pour le fonctionnement timerentre 1 % à 100 %.
- Réglage du volume de fumée pour le fonctionnement continu  
Appuyez sur le bouton MENU jusqu'à ce que l'écran indique »Volume Output« [réglage du volume de fumée]. Utilisez les boutons UP et DOWN pour ajuster le volume de fumée pour le fonctionnement continu entre 1 % à 100%.  
Pour choisir fumée continu pour le fonctionnement continu, choisissez »NON STOPBURST« sous une valeur de 1 % ou au-dessus d'une valeur de 100 %.

**Remarque :** Quand vous ajustez le volume de fumée à plus de 30 %, la machine interrompt le dégagement de fumée temps à temps pour réchauffer. Quand vous ajustez »NON STOP BURST«, la machine à fumée ajuste le dégagement de fumée et la température d'élément de chauffe automatiquement et n'interrompt pas le dégagement de fumée.

▪ Réglage de l'adresseDMX512

Appuyez sur le bouton MENU jusqu'à ce que l'écran indique »DMX512 Address: 001« [Réglage de l'adresseDMX512]. Utilisez les boutons UP et DOWN pour régler l'adresseDMXde l'appareil. Veuillez-vousréférer au chapitre sur la configurationDMX512.

▪ Mettant la fonction sans fil en/hors marche

Appuyez sur le bouton MENU jusqu'à ce que l'écran indique »Wireless ON« [sans fil en marche]. Utilisez les boutons UP et DOWN pour désactiver la fonction sans fil (indication »Wireless OFF« et pour réactiver la fonction (indication »Wireless ON«).

▪ Mettant ledétecteur de liquide en/hors marche

Appuyez sur le bouton MENU jusqu'à ce que l'écran indique »FluidSensorSet ON« [détecteur de liquide en marche]. Utilisez les boutons UP et DOWN pour désactiver la détecteur de liquide (indication »Fluid Sensor Set OFF«) et pour réactiver la détecteur (indication »Fluid Sensor Set ON«).

▪ Mettant la fonction W-DMX en/hors marche

Appuyez sur le bouton MENU jusqu'à ce que l'écran indique »W-DMX Power ON« [W-DMX en marche]. Utilisez les boutons UP et DOWN pour désactiver la fonction W-DMX (indication »W-DMX Power OFF« et pour réactiver la fonction (indication »W-DMX Power ON«).

Remarque : Quand la fonction W-DMX est activée, l'écran indique l'état de la connexion par les symboles suivants.

État du la connexion W-DMX	Symbolesur l'écran
Transmetteur assigné ; signal DMX reçu	●
Transmetteur assigné ; pas de signal DMX	⊙
Connexion transmetteur perdue ou Transmetteur connectant	⊕
Transmetteur n'est pas assigné	○

▪ Réglage de l'adresse W-DMX512

Quand la fonction W-DMX est activée, appuyez sur le bouton MENU jusqu'à l'écran indique »W-DMX Address: 001«. Utilisez les boutons UP et DOWN pour régler l'adresse DMX.

▪ Réinitialiser la connexion W-DMX

Quand la fonction W-DMX est activée, appuyez sur le bouton MENU jusqu'à ce que l'écran indique »W-DMX Reset OFF« [Réinitialiser la connexion W-DMX

horsmarche]. Utilisez les boutons UP et DOWN pour réinitialiser la connexion W-DMX.

•Démarrage avec fonction dernière en/hors marche  
Appuyez sur le bouton MENU jusqu'à ce que l'écran indique »Run Last Setting ON« [démarrage avec fonction dernière en marche]. Utilisez les boutons UP et DOWN pour désactiver la fonction (indication »Run Last Setting OFF«) et pour réactiver la fonction (indication »Run Last Setting ON«).

#### - Fonctionnement continu

Pour activer le mode continu, appuyez sur le bouton Volume. En mode continu, l'appareil dégage tout le temps de la fumée. L'écran indique »Volume Output« et la valeur ajustée ou NONSTOPBURST [fumée continu] au menu "Volume Output" [réglage du volume de fumée]. Pour désactiver le débit de fumée, appuyez sur le bouton STOP.

**Remarque :** Quand vous ajustez le volume de fumée à plus de 30 %, la machine interrompt le dégagement de fumée temps à temps pour réchauffer. Quand vous ajustez »NONSTOPBURST«, la machine à fumée ajuste le dégagement de fumée et la température d'éléments de chauffe automatiquement et n'interrompt pas le dégagement de fumée.

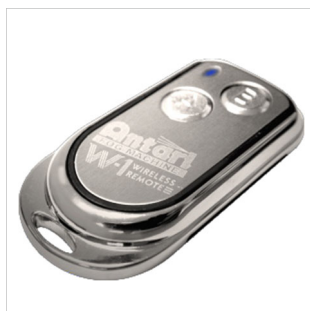
#### - Fonctionnement timer

En mode timer, l'appareil dégage automatiquement de la fumée. Les intervalles, la durée et le volume de fumée dépendent des paramètres individuels du menu. Pour activer le mode timer, appuyez sur le bouton Timer. L'écran indique alors l'intervalle ajusté et l'appareil compte les secondes à partir de 0. Pour désactiver le mode timer, appuyez sur le bouton STOP.

### W-1 Contrôleur sans fil

Le contrôleur sans fil W-1 compose d'un transmetteur avec deux boutons pour activer le débit de fumée et un récepteur fixé au dos de chaque modèle de la série W.

#### \* Transmetteur:



Avec le transmetteur, il est possible de débiter de fumée dans un rayon d'action de 50 mètres. Le transmetteur est compatible avec chaque récepteur de la série W et peut contrôler des machines illimitées en même temps.

Pour dégager la fumée, appuyez sur le bouton "A". Le volume de fumée dépend de l'ajustement sous l'entrée de menu »Volume Output« [réglage du volume de fumée]. L'écran indique »Volume« et la valeur ajustée ou Nonstop Burst quand fumée continue est ajustée. Comme contrôle additionnel, la LED bleue est allumée. Pour désactiver le débit de fumée, appuyez sur le bouton "B".

**\* Récepteur :**



Le récepteur est testé et fixé au dos de chaque modèle de la série W. S'il vous plaît ne pas essayer de le détacher. Le récepteur réagit à jusqu'à 5 transmetteurs différents enregistrés avec la machine. Le transmetteur inclus est enregistré avec la machine avant la livraison. Il est possible de l'utiliser directement sans réglage initial.

**- Register transmitters**

Pour le fonctionnement de la machine avec un transmetteur différent comme livré, ou avec jusqu'à 5 transmetteurs différents, chaque transmetteur doit être enregistré d'abord. Veuillez mettre la machine en service. Quand l'écran indique »Wireless Detect...« [réglage sans fil], pressez le bouton "A" 1

seconde sur chaque transmetteur. Les transmetteurs avant sont éteints de la mémoire du récepteur. L'ajustement doit être fini dans 15 secondes.

Quand vous ne registrez pas d'un transmetteur quand la machine est mise en service, la mémoire du récepteur contient l'opération avant.

**Ajuster exemple 1 :**

Veuillez mettre la machine en service pour enregistrer un ou plusieurs de transmetteurs. Quand l'écran indique »Wireless Detect...«, pressez le bouton "A" 1 seconde sur chaque transmetteur entre 15 secondes pour commencer la transmission du signal.

**Ajuster exemple 2 :**

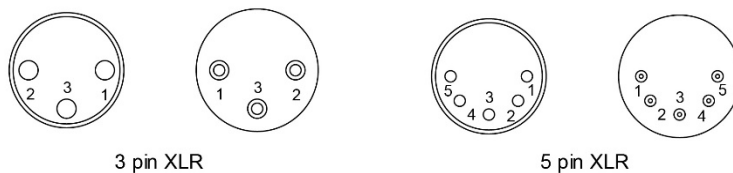
Pour utiliser un transmetteur pour contrôler deux ou plus machines, veuillez mettre les machines en service au même moment. Quand l'écran indique »Wireless Detect...«, pressez le bouton "A" 1 seconde sur le transmetteur entre 15 secondes pour commencer la transmission du signal.

### - Changer la pile du transmetteur

Quand le rayon d'action du transmetteur cesse, la pile est probablement vide et doit être remplacée. Veuillez ouvrir le couvercle et retirer la pile vide. Insérez une pile neuve 12 V, type 27A comme indiqué dans le compartiment de pile et remplacez le couvercle.

### Configuration de la connexion DMX

La machine possède des fiches XLR3 pôles et 5 pôles pour connecter un contrôleur DMX. Le graphique ci-dessous montre la configuration des fiches



Contact	Fonction
1	Masse
2	Signal-
3	Signal+

### Réglages DMX512

Canal A



0 à 5 = arrêt (aucun dégagement de fumée)

6 - 255 = réglage de débit (1 - 100 % débit)

Tous les modèles comportent un système DMX512. Pour connecter un contrôleur DMX, les raccords XLR3 pôles et XLR5 pôles se trouvent au derrière de chaque appareil. L'appareil a un canal de contrôle pour le réglage du débit de fumée. Le canal varie entre les valeurs DMX0 à 255. Après avoir connecté un contrôleur DMX, des fonctions Timer comme la durée de fumée et intervalle peuvent être programmés par le contrôleur DMX ou par le logiciel DMX via la fenêtre d'effets lumineux. L'appareil ne peut plus contrôler grâce au panneau de contrôle intégré ou le contrôleur sans fil W-1. En utilisant le protocole DMX, les machines de fumée, les effets lumineux, et les autres appareils des effets spéciaux peuvent être connectés entre eux et contrôlés facilement.

**Entre les valeurs 0 et 5, la machine est en arrêt.**

**Entre les valeurs 6 et 255, le débit de fumée est réglé. Dans ce contexte, la valeur 6 concerne le débit de fumée minimal et 255 concerne le débit de fumée maximal. Le débit de fumée augmente avec une valeur DMX croissant.**

**Remarque :** S'il vous plaît faites attention que si la machine était codée sur l'adresse initiale DMX124 dans l'exemple en haut, le canal A correspond exactement à cette adresse initiale DMX.

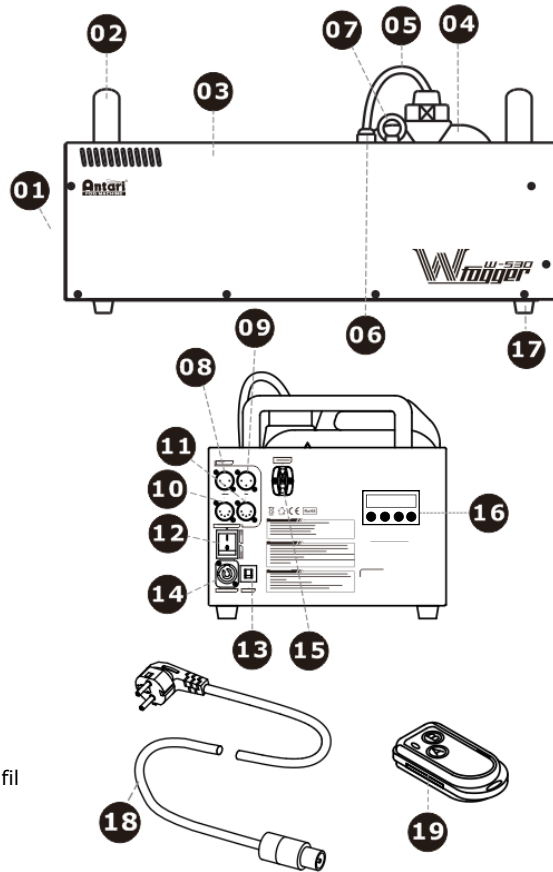
**Remarque :**

Si vous constatez un débit trop faible, un bruit de la pompe ou un manque total de fumée, débranchez immédiatement votre machine. Vérifiez le niveau de liquide, le fusible externe, la connexion à la télécommande et l'alimentation au secteur. Si tout apparaît être correct, branchez de nouveau. S'il n'y a aucune production de fumée après que vous avez pressé le bouton de la télécommande pendant 30 secondes, vérifiez si le liquide passe par le disperser qui est attaché au réservoir. Si vous n'arrivez pas à déterminer la cause du problème, ne continuez pas à presser le bouton de la télécommande. Cela pourrait endommager votre machine. Retournez la machine à votre revendeur Antari.



## W-530D ÉlémentsetBranchements

- 01- Bec
- 02- Bras
- 03- Boîtier
- 04- Couvercle du  
réservoir et réservoir
- 05- Tuyau PC et filtre
- 06- Adapter de tuyau
- 07- Œillet de sécurité
- 08- Sortie DMX  
(XLR 3 pôles)
- 09- Entrée DMX  
(XLR 3 pôles)
- 10- Sortie DMX  
(XLR 5 pôles)
- 11- Entrée DMX  
(XLR 5 pôles)
- 12- Commutateur secteur
- 13- Disjoncteur
- 18- Douille d'alimentation
- 15- W-1/W-DMX récepteur sans fil
- 16- Panneau de contrôle
- 17- Pied
- 18- Câble d'alimentation
- 19- W-1 Transmetteur sans fil



W-530D  
Wogger

01	02	03	04	05	06	07	08	09	10	11	12	13	14	15	16	17	18	19
----	----	----	----	----	----	----	----	----	----	----	----	----	----	----	----	----	----	----



## Remarques de fonctionnement

Toutes machines à fumée dégagent une condensation autour de son bec de sortie qui pourrait mener à une accumulation d'humidité au-dessus de l'appareil.

Prenez cela en considération lors du choix de l'emplacement de votre appareil.

Pendant son fonctionnement ou quelque temps après, il se peut de temps à autre qu'une machine à fumée débite spontanément de la fumée.

Après une utilisation continue toutes machines à fumée à besoin de pauses de fonctionnement pour garder une température correcte. Pendant la phase de chauffe, l'appareil ne peut pas encore dégager de la fumée.

## Nettoyage et Maintenance

Faites toujours attention de ne pas polluer le liquide à fumée. Après l'avoir rempli de liquide à fumée, refermez toujours immédiatement les couvercles du bidon de liquide et du réservoir de la machine. Nettoyer la machine régulièrement pour éviter des frais de réparation et parties de rechange. Après une utilisation continue de 40 heures, il est recommandé de procéder à un nettoyage de l'appareil pour éviter une accumulation de résidus dans l'élément de chauffage avec d'eau distillée.

### Pratiquez le nettoyage de la manière suivante :

1. Insérez l'eau distillée dans le réservoir propre et insérez le tuyau d'liquide dans le réservoir.
2. Faites marcher la machine dans une salle bien aérée jusqu'à ce que son réservoir soit vide.
3. Nettoyez le boîtier de la machine seulement avec un chiffon sec. Le nettoyage est accompli. Remplissez la machine de liquide à fumée. Veuillez mettre la machine en service courtement pour nettoyer la pompe et le bloc de chauffage.

**Remarque :** Dû à la consistance visqueuse du liquide à fumée et à la haute température avec laquelle la fumée s'évapore, toutes les machines à fumée ont tendance à encrasser. L'entretien régulier de la machine garanti cependant son usage solide pour de nombreuses années.

### **Nettoyez le boîtier de la machine seulement avec un chiffon sec. L'appareil est à stocker au sec.**

Nettoyer l'appareil après de stocker. L'appareil est à stocker au sec. Nous recommandons de contrôler la machine mensuellement. C'est constitué du temps de chauffage et du débit de fumée de quelques minutes.

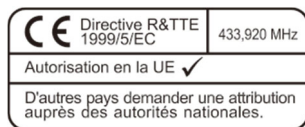
## Caractéristiques Techniques

<b>Modèle</b>	<b>W-515D</b>
Alimentation	US model : AC 100-120V, 50/60Hz 12.5A EU model : AC 220-240V, 50/60Hz 6.3A
Puissance de rendement	1450W
Temps de chauffage	env. 10 m <sup>3</sup> /min.
Consommation de liquide	100 ml/min
Contenu du réservoir	6l (1.59gal)
Liquide compatible	Antari FLG Heavy Fog Fluid Antari FLR Light Fog Fluid
Température ambiante	0°C - 40 °C (32°F-104 °F)
Volume d'émission	20,000 ft <sup>3</sup> /min (566 m <sup>3</sup> /min)
Contrôle	DMX512, timer, manuellement, sans fil, W-DMX
Caneaux DMX	1 canal
Connexion	Neutrik Powercon (alimentation) XLR 3 pôles et 5pôles (DMX)
Accessoires	FX-5 Flightcase W-515-HB Lyre de fixation
Dimensions	L561 I278 H265 mm (L22.09 I10.94 H10.43 inch)
Poids	14.5 kg (31.97 lbs)

<b>Modèle</b>	<b>W-530D</b>
Alimentation	EU model : AC 220-240V, 50 / 60Hz 11A
Puissance de rendement	2500W
Temps de chauffage	env. 12 m <sup>3</sup> /min.
Consommation de liquide	160 ml/min
Contenu du réservoir	6l (1.59gal)
Liquide compatible	Antari FLG Heavy Fog Fluid Antari FLR Light Fog Fluid
Température ambiante	0 °C - 40 °C (32 °F-104 °F)
Volume d'émission	40,000 ft <sup>3</sup> /min (1133 m <sup>3</sup> /min)
Contrôle	DMX512, timer, manuellement, sans fil, W-DMX
Caneaux DMX	1 canal
Connexion	Neutrik Powercon (alimentation) XLR 3 pôles et 5pôles (DMX)
Accessoires	FX-5 Flightcase W-515-HB Lyre de fixation
Dimensions	L581 I278 H265 mm (L22.87 I10.94 H10.43 inch)
Poids	19.1 kg (42.11 lbs)

## Admission

Ce système sans fil a été testé et autorisé dans l'Union européenne selon les termes de la directive R&TTE. En la UE, le système sans fil possède une autorisation générale et ne nécessite pas de déclaration spécifique. Dépendant de pays d'opération, il peut cependant être nécessaire de demander une attribution des fréquences auprès des autorités nationales.



## Garantie

La garantie est valide seulement si l'appareil est acheté d'un distributeur ou revendeur autorisé par Antari. Pour un service couvert par la garantie, expédiez-vous l'appareil seulement à un distributeur ou revendeur autorisé.

Si l'appareil est modifié de quelque manière, si l'entretien et les réparations sont effectués par du personnel de service incompetent, ou si le produit est utilisé autrement que décrit dans ce mode d'emploi, ceci peut causer des dommages au produit et la garantie cesse alors.

Ce n'est pas un contrat d'entretien et de maintenance et ne comprend pas des services. Toutes pièces d'usures ne sont pas couvertes par la garantie.

Garanties additionnelles proposent selon la discrétion du distributeur ou du revendeur demeurent l'obligation unique du distributeur ou du revendeur.

Quand vous contactez votre revendeur pour l'information ou l'assistance, toujours citez le code barre et le modèle de l'appareil.

Lisez et gardez ces instructions.



For current product information visit Antari at: [www.antari.com](http://www.antari.com)  
For information requests please contact us at: [sales@antari.com](mailto:sales@antari.com)

