



HZ-500

Haze Machine User Manual



CONFORMS TO
ANSI/UL STD. 499
CERTIFIED TO
CAN/CSA STD.
C22.2 NO.64



English • Français • Deutsch • 中文

© 2018 Antari Lighting and Effects Ltd.



Congratulations on the purchase of your new ANTARI HZ-500 HAZE MACHINE

Introduction

Thank you for choosing the ANTARI HZ-500 Haze Machine. You now own a rugged and powerful state-of-the-art machine. Prior to use, we suggest that you carefully read all of the instructions. By following the suggestions found in this user manual, you can look forward to the best, virtually invisible haze effect and reliable, satisfactory performance of your ANTARI HZ-500 Hazer for years to come.

Please follow these operation and safety instructions to ensure a long and safe life for your hazer.

Danger of Electric Shock

- Keep this device dry

Use a grounded electrical outlet. Prior to use take care to determine that the unit is installed at the rated voltage.

- Always unplug the hazer before filling its tank.
- Turn off or unplug when not in use.
- This machine is not water-proof. If moisture, water, or hazer fluid gets inside the housing, immediately unplug the unit and contact a service technician or your ANTARI dealer before using it again.

Grounding Instructions

- This product must be grounded. In the event of an electrical short circuit, grounding reduces the risk of electric shock by providing an escape wire for the electric current.
- This product is equipped with a cord having a grounding wire with an appropriate grounding plug.
- The plug must be plugged into an outlet that is properly installed and grounded in accordance with all local codes and ordinances

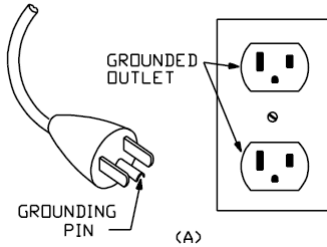


WARNING

Improper installation of the grounding plug is able to result in a risk of electric shock. If repair or replacement of the cord or plug is required, do not connect the grounding wire to either flat blade terminal.

The wire with insulation having an outer surface that is green with or without yellow stripes is the grounding wire.

This product is for use on a nominal 120-V circuit and has a grounding plug similar to the plug illustrated in sketch A in the following Figure. Only connect the product to an outlet having the same configuration as the plug. Do not use an adapter with this product.



Use only a 3-wire extension cord that has a 3-blade grounding plug, and a 3-slot receptacle that accepts the plug on the product. Make sure your extension cord is not damaged. When using an extension cord, be sure to use one heavy enough to carry the current your product draws. For lengths less than ___ ft, ___ AWG extension cords shall be used. An undersized cord results in a drop in line voltage and loss of power and overheating. Refer to the table below

Ampere Rating Range	Voltage		Length of cord in ft							
	120V	25 ft	50 ft	100 ft	150 ft	200 ft	250 ft	300 ft	400 ft	500 ft
	240V	50 ft	100 ft	200 ft	300 ft	400 ft	500 ft	600 ft	800 ft	1000 ft
0 – 2		18	18	18	16	16	14	14	12	12
2 – 3		18	18	16	14	14	12	12	10	10
3 – 4		18	18	16	14	12	12	10	10	8
4 – 5		18	18	14	12	12	10	10	8	8
5 – 6		18	16	14	12	10	10	8	8	6
6 – 8		18	16	12	10	10	8	6	6	6
8 – 10		18	14	12	10	8	8	6	6	4
10 – 12		16	14	10	8	8	6	6	4	4
12 – 14		16	12	10	8	6	6	6	4	2
14 – 16		16	12	10	8	6	6	4	4	2

Danger of Burn

- No user serviceable and modifiable parts inside. Do not disassemble the housing or do any modification; otherwise damage to the device or possibility of burns are risked.
- For adult use only. The Hazer must be installed out of the reach of children. Never leave the unit running unattended.
- Position the haze machine in a well-ventilated area. Please leave about 20 cm of space surrounding the machine.

- Never aim the machine at open flames or close to flammable items.
- Never add flammable liquids of any kind (oil, gas, perfume) to the hazer liquid.
- Use only dealer recommended ANTARI high-quality hazer liquid (HZL). Please do not use any other liquid which may cause erosion of inner parts.
- If your ANTARI HZ-500 Hazer fails to work properly, stop using it immediately. Drain all hazer liquid from the tank, pack the unit securely (preferably in the original packing material), and return it to your ANTARI dealer for service.
- Please note before sending the machine for transporting purpose, make sure the haze fluid tank is empty.
- Never drink haze liquid. If it is ingested, call a doctor immediately. If hazer liquid comes in contact with skin or eyes, rinse thoroughly with water.

***Pay attention to all warning labels and instructions printed
on the exterior of your ANTARI Hazer***

Unpacking & Inspection

Open the shipping carton and verify that all equipment necessary to operate the system has arrived intact. Before beginning initial setup of your ANTARI HZ-500 Hazer, make sure that there is no evident damage caused by transportation. In the event that the unit's housing or cable is damaged, do not plug it in and do not use it after having contacted your ANTARI dealer for assistance.

Operation & Filling Haze Liquid

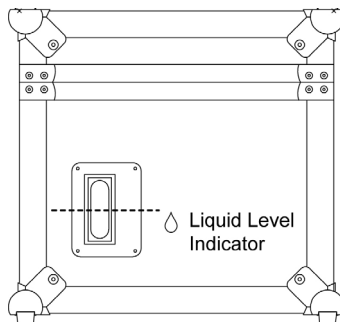
1. Place the unit on a flat surface. Plug the power cord into a grounded electrical outlet.
2. Remove the fluid tank cap and pour the ANTARI Haze Liquid into the tank slowly and carefully to avoid overfilling. (Filling suggestion: Please add 2 liters haze liquid in the first time of refill. From the second refill on, add 1 liter haze liquid for every refill.) Make sure the liquid level does not exceed the mark on the tank.
3. Please refill haze liquid slowly. Otherwise, the haze liquid may overflow and damage the machine. Basically, every refill process of 1 liter haze liquid must be separated into 5 times, i.e. after refilling about 200 cc haze liquid you have to stop refilling and check the tank. Please make sure that the last 200 cc haze liquid goes through the filter inside the tank properly before pouring the next 200 cc haze liquid into the tank. (Usually it takes about 10 seconds for 200 cc haze liquid to go through the filter).
4. Please use only dealer-recommended high-quality haze liquid. Any other types of fluids may cause health hazard and damage the unit. Use of any other liquids may result in voided

warranty.

5. Please open the square door on the top of the flightcase before operation in order to let the haze come out smoothly.
6. Set the power switch to "ON" on the control panel of the machine.
Make sure that the red indicator light is on.
7. There is an intake hole in the back of the flightcase. There is a metal net and a filter attached on the intake, which can prevent a clogging problem. Please inspect and clean the metal net and filter periodically.

Caution

1. Always monitor and make sure that there is sufficient haze liquid inside the tank during operation.
2. When the machine is operated for a longer period of time under open- air conditions, falling dust/debris might attach to the metal net and filter on the intake hole. The metal net and filter is serviceable, which means those can be detached easily by a screw driver. Please use water to clean the metal net and filter periodically. By doing this you can avoid dust going into the hazers and prevent the clogging problem of hazers.
3. If you have followed the above operation steps, and you still experience low output, mechanical noise or no output at all, unplug the unit immediately from the mains. Check the fluid level, the external fuse, the remote control connection, and the power cable from the wall. If all of the above appears to be OK, plug the unit in again. If the hazer still does not function, discontinue operation or it may result in permanent damage to the unit. Return the machine to your Antari dealer. Always drain tank before mailing or transporting this unit.

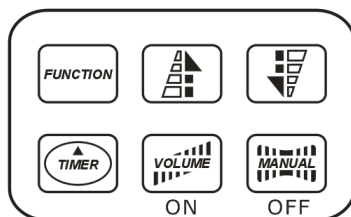


- Please detach the cap on the tank if you want to clean the cap.
Do not wipe it directly when the cap is attached on the tank. By doing this you can avoid letting dust fall into the fluid tank and contaminate the haze liquids.
- Please do not allow magnetic equipment to be close to the haze outlet door of the hazer. Magnetic equipment could cause wrong action of the door sensor.

Control Panel Operation

The built-in control panel on the rear of the machine features an LCD panel displaying all operation statuses of the haze machine. The control panel allows the user to customize functions by adjusting the fogging duration and interval as well as the DMX address and the door sensor. There are six buttons on the control board. All current operating parameters are automatically stored in a non-volatile memory, allowing the machine to be powered down without losing function settings. The control buttons are: FUNCTION, Up, Down, TIMER, VOLUME and MANUAL. You can program the necessary menu settings with the control panel when the display indicates »Ready To Haze«.

After switching on, the display shortly indicates »Antari Hz-500« and is ready for haze output. The display indicates »Ready To Haze«.



-Continuous operation

When the machine is ready for haze output, short actuation of the button VOLUME activates continuous haze output. The display indicates »Working«. To stop the haze output, press the button VOLUME once again.

-Manual operation

For immediate haze output, keep the button MANUAL pressed. The display indicates »Working«. As soon as you release the button, the haze output will stop. The manual operation will take priority over the continuous operation and the timer operation. Even if one of these operating modes is activated, the haze machine will always emit haze when the button MANUAL is pressed.

-Timer operation

In the timer mode, the haze machine will automatically emit haze. The time intervals, duration and haze

volume depends on the corresponding menu settings. Press the button **TIMER**, to activate the timer mode. The display indicates the set time interval. The unit counts down to 0 seconds and emits haze. To deactivate the timer mode, press the button **TIMER** again.

-Menu settings with the button **FUNCTION**

1. Setting time intervals for timer operation

Press the button **FUNCTION** until the display indicates »Interval Set«. Use the buttons **UP** and **DOWN** to adjust the intervals between the individual fog outputs in timer mode within the range of 1 and 200 seconds.

2. Setting the output duration for timer operation

Press the button **FUNCTION** until the display indicates »Duration Set«. Use the buttons **UP** and **DOWN** to adjust the duration of the fog outputs in timer mode within the range of 1 and 200 seconds.

3. Setting the DMX512 address

Press the **FUNCTION** until the display indicates »DMX 512«. Use the buttons **UP** and **DOWN**, to set the machine to the same address as on your DMX controller. Please refer to chapter DMX512 settings for more information on DMX operation.

4. Switching the door sensor on and off

Press the button **FUNCTION** until the display indicates »DOOR ON SENSOR«. Press the button **MANUAL** to deactivate the door sensor (indication » DOOR OFF SENSOR «) and the button **VOLUME** to reactivate it. Please see *Note 2.

5. Direct haze

Press the button **FUNCTION** until the display indicates »Direct Haze«. Press the button **MANUAL** to activate the direct haze mode. Then the machine directly starts producing haze after switching on the power. The display indicates »Direct Haze« and starts flashing. To stop the haze output, shortly press the button **MANUAL** again. The display stops flashing.

* **Note 1:** The control of the master unit will override the control of the panel controller when connecting the haze machine via DMX.

* **Note 2:** If the haze outlet door sensor is activated (indication »DOOR ON SENSOR«), a warning sound will beep when haze output is activated and the door is not completely open. The flashes and indicates »DOOR CLOSED!!«. The haze production stops until the door is

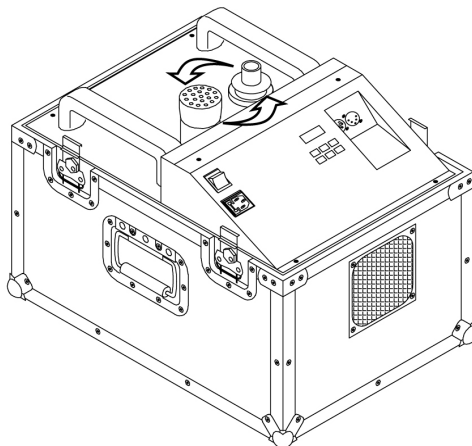
completely opened. If the door sensor is not activated (indication »DOOR OFF SENSOR«), this safety features will not occur.

***Note 3:** If the displays shows »Out Of Order«, the machine's internal temperature is too high and as a result the thermostat has been set off to shut-down the hazer.

If you experience this problem, please check two points as described below:

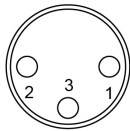
1. Check if the mesh (filter) outside the ventilation fan is clean and without debris. If the mesh is covered by dust or obstruction (such as paper, plastic bag, etc.), the machine is put into a very poor ventilation condition and causes the internal temperature to rise. Therefore, it is strongly suggested to clean the mesh regularly.
2. Check the surrounding temperature at the hazer's place of installation. If the temperature of the surrounding environment is too high, please move the machine to a cooler place with better ventilation.

***Note 4:** Before moving the machine, it is important to replace the nozzle by the black rubber stopper. Please make sure it fits tightly in order to prevent spillage of the HZL-1 Haze liquid in case the machine is turned upside down during the transportation. Before reusing the machine, please put the nozzle back on the outlet and make sure it is properly installed.

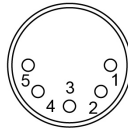
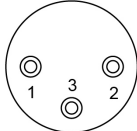


DMX Connector Pin Assignment

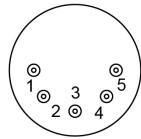
The machine provide 3 or 5 pin XLR connector for DMX connection. Diagram below indicate pin assignment information



3 pin XLR



5 pin XLR



Pin	Function
1	Ground
2	Data-
3	Data+
4	N/A
5	N/A

DMX CONTROL OPERATION

HZ-500 has on-board DMX control and the addressing is via the LCD control panel. The HZ-500 uses 1 channel to control on/off operation. The channel has a value range from 0 to 255. The on/off function can also be programmed with a DMX controller or DMX control software used by lighting and effects operator.

Channel A



251-255 = ON

0-250 = OFF

If the value of channel A is set between 0 and 250, the unit is off.

While the value is set between 251 and 255, the unit is on.

Note: Once DMX cable is connected to the unit, then the LCD control panel cannot be used.

Hazer Liquid

Antari HZL-1 haze liquid was designed for use with the Antari HZ-500. Antari HZL-1 is a non-toxic solution that produces a pure, translucent haze with extremely long hang time and low moisture, perfect for the HZ-500.

Important: Never mix oil-based and water-based hazer liquids. Before switching the kind of haze liquid in use, completely drain the hazer's tank to avoid mixing.

Technical Specifications

- Input voltage	US model : AC 100-120V, 50/60Hz 4A EU model : AC 220-240V, 50/60Hz 2A
- Rated power	480W
- Fluid consumption	1.1 ml/min
- Fluid tank capacity	2.5l (0.66gal)
- Compatible fluid	Antari HZL Haze Fluid
- Operating time	37 hrs at max. output
- Ambient temp. range	0 °C - 40 °C (32 °F-104 °F)
- Output	3,000 ft3/min (85 m3/min)
- Control	DMX, Timer, Manual
- DMX channels	1 channel
- Connection	IEC (Power) XLR 5-pin (DMX)
- Dimension	L490 W351 H338 mm (L19.29 W13.82 H13.31 inch)
- Weight	31.5 kg (69.45 lbs)

Save these instructions.



Machine à Brouillard Antari HZ-500

Nous vous félicitons pour l'achat de votre nouvelle machine à brouillard ANTARI.

Introduction

Nous vous remercions d'avoir choisi une machine à brouillard Antari HZ-500. Vous êtes en possession d'un produit robuste et puissant avec la technique la plus récente. En vue d'utiliser correctement votre nouvel appareil, veuillez lire attentivement ce mode d'emploi. Si vous respectez les instructions suivantes dans ce mode d'emploi, vous profiterez d'une performance solide et convaincante de votre machine à brouillard Antari HZ-500 pour de nombreuses années, produisant un effet de brouillard pratiquement invisible.

Pour assurer la longévité et le bon fonctionnement de votre machine à brouillard, veuillez lire attentivement les instructions suivantes concernant le maniement, la sécurité et l'entretien.

Risque d'électrocution

- Protégez l'appareil de l'humidité.
- Utilisez uniquement des prises de courant à terre à 3 broches. Avant la première mise en marche, assurez-vous que l'appareil soit branché à l'alimentation correcte.
- Toujours débranchez l'appareil de brouillard Antari avant de remplir le réservoir.
- Éteignez l'appareil ou débranchez-le du secteur, quand il est mis hors d'usage.
- L'appareil n'est pas protégé contre l'eau ou contre les projections d'eau. Si de l'humidité, du liquide ou du liquide à brouillard devait pénétrer à l'intérieur de l'appareil, débranchez-le immédiatement et contactez un technicien ou votre revendeur Antari avant de le réutiliser.

Les Instructions de la mise à terre

- Cet appareil doit être mis à la terre. En cas d'un court-circuit électrique, la mise à terre réduit le risque d'un choc électrique grâce au conducteur de protection.
- Cet appareil dispose d'un câble d'alimentation avec conducteur de protection et d'une fiche de protection.
- La fiche de protection doit seulement être connectée avec une installation électrique réglementaire et mis à la terre, correspondant à réglementations locales.

Cet appareil doit seulement être connecté avec une tension alternative de 120 V et dispose d'une fiche de protection (voir image A). Branchez cet appareil seulement à une prise de courant mis à la terre à 3 brins. Utilisez aucun adaptateur avec cet appareil.

Utilisez exclusivement une rallonge à 3 brins avec une fiche de protection et à une prise de courant à 3 brins pour le branchement de cet appareil. Assurez-vous, que la rallonge n'est pas endommagée. Utilisez seulement les rallonges suffisamment dimensionnées. Avec une longueur moins de ___ft, ___, on doit utiliser les rallonges AWG. Une déperdition du voltage et l'échauffement du câble peuvent resautées avec les rallonges trop faible.

Ampere Rating Range	Voltage		Length of cord in ft							
	120V	25 ft	50 ft	100 ft	150 ft	200 ft	250 ft	300 ft	400 ft	500 ft
	240V	50 ft	100 ft	200 ft	300 ft	400 ft	500 ft	600 ft	800 ft	1000 ft
0 – 2		18	18	18	16	16	14	14	12	12
2 – 3		18	18	16	14	14	12	12	10	10
3 – 4		18	18	16	14	12	12	10	10	8
4 – 5		18	18	14	12	12	10	10	8	8
5 – 6		18	16	14	12	10	10	8	8	6
6 – 8		18	16	12	10	10	8	6	6	6
8 – 10		18	14	12	10	8	8	6	6	4
10 – 12		16	14	10	8	8	6	6	4	4
12 – 14		16	12	10	8	6	6	6	4	2
14 – 16		16	12	10	8	6	6	4	4	2

Danger d'incendie

- Il n'y pas de pièces échangeables ou nécessitant un entretien à l'intérieur de l'appareil par l'utilisateur. Les travaux d'entretien sont à faire effectuer par votre revendeur autorisé. S'il vous plaît, n'essayez pas de démonter le boîtier ou faire des modifications; sinon danger d'endommager l'appareil ou d'incendie.
- L'appareil n'est prévu que pour des adultes. Installez l'appareil à brouillard hors d'atteinte des enfants. Ne jamais faire marcher l'appareil sans surveillance.
- Faites marcher l'appareil dans les places bien aérées. Observez une distance d'environ de 20 cm autour et au-dessus de l'appareil.
- Ne jamais orienter le bec de sortie directement sur feu immédiat ou sur des objets inflammables.
- Ne jamais mélanger des liquides inflammables de n'importe quelle genre (de l'huile, du gaz, des parfums avec le liquide à brouillard.
- Utilisez uniquement le liquide à brouillard de haute qualité d'Antari (HZL-1), recommandé par votre revendeur. S'il vous plaît, n'utilisez pas d'autres liquides. Ceux-ci pourraient mener à l'usure des parts à l'intérieur de la machine.
- Si votre machine à brouillard Antari HZ-500 ne fonctionne plus correctement, éteignez-la immédiatement. Videz le réservoir complètement, emballez l'appareil soigneusement (de préférence dans l'emballage d'origine) et retournez-le à votre revendeur Antari pour maintenance.
- Faites attention à ce que le réservoir soit toujours complètement vidé avant d'envoyer ou transporter l'appareil.
- Ne jamais boire le liquide à brouillard. Si c'est le cas néanmoins, consultez un médecin immédiatement. En cas de contact avec la peau ou les yeux, rincer à fond avec de l'eau.

Veillez suivre toutes les instructions de sécurité appliquées sur le boîtier de votre machine à brouillard Antari.

Déballage & inspection de la machine

Sortez la machine à brouillard de son emballage et assurez-vous que tout l'équipement nécessaire pour la mettre en service soit intact. En cas de livraison endommagée ou incomplète, t

o u j o u r s c o n t a c t e z immédiatement votre revendeur Antari. Avant de mettre votre machine à brouillard Antari HZ-500 en service, assurez-vous qu'elle n'ait subi aucun dommage évident pendant le transport. Dans le cas où le boîtier ou le câble de l'appareil seraient endommagés, ne branchez pas l'appareil et n'essayez pas de l'utiliser sans avoir obtenu l'assistance de votre revendeur Antari.

Maniement et remplissage du liquide à brouillard

1. Placez la machine à brouillard sur une surface plane et branchez la fiche d'alimentation de la machine à brouillard dans une prise de courant avec terre.
2. Enlevez le couvercle du réservoir, versez le liquide à brouillard Antari lentement dans le réservoir de la machine, afin d'éviter un remplissage excessif. Proposition de remplissage: S'il vous plaît ajouter 2 litres de liquide à brouillard au premier remplissage. A partir du deuxième remplissage, s'il vous plaît ajouter à chaque remplissage 1 litre de liquide à brouillard. Assurez-vous que le niveau de liquide n'excède pas le marquage sur le réservoir.
3. S'il vous plaît versez le liquide à brouillard lentement. Sinon, le liquide à brouillard peut déborder et endommager la machine. En principe, chaque opération de remplissage doit être divisée en 5 parts. Cela signifie qu'il faut arrêter le remplissage après avoir rempli environ 200 ml de liquide à brouillard et vérifier le réservoir. S'il vous plaît assurez que les derniers 200 ml de liquide à brouillard soient coulés correctement dans le réservoir à travers du filtre, avant que vous versiez les prochains 200 ml dans le réservoir. D'habitude il dure environ 10 secondes, jusqu'à ce que 200 ml de liquide à brouillard soient coulés à travers du filtre.
4. S'il vous plaît utilisez uniquement du liquide à brouillard Antari.
D'autres liquides peuvent mettre en danger votre santé et endommager la machine. En outre, l'utilisation d'autres liquides peut mener à la perte de la garantie.
5. S'il vous plaît ouvrez la porte quadratique en haut du Flightcase avant l'actionnement, afin que le brouillard puisse sortir doucement.
6. Allumez la machine par l'interrupteur "Power" à la face arrière de la machine sur le tableau de commande sur "ON" et vérifiez que le témoin lumineux rouge s'allume.
7. Sur la face arrière du Flightcase, il y a un orifice d'entrée. A l'entrée, un filet en métal et un filtre sont attachés, qui peuvent éviter les problèmes de colmatage de l'unité. S'il vous plaît contrôlez et nettoyez le filet en métal et le filtre régulièrement.

Mesures de précaution

1. Assurez-vous, qu'il y ait toujours assez de liquide à brouillard dans le réservoir pendant le fonctionnement de la machine.
2. Si la machine est opérée à long terme en plein air, de la poussière et des débris peuvent pénétrer dans la machine et causer l'encombrement des résidus sur le filet en métal et dans le filtre à l'orifice d'entrée. Le filet en métal et le filtre sont entretenables, ce qui veut dire qu'ils peuvent facilement être démontés avec un tournevis. S'il vous plaît utilisez de l'eau pour le nettoyage régulier du filet en métal et de la grille. Ainsi on peut éviter que de la poussière pénètre dans la machine à brouillard, et le problème de colmatage de machines à brouillard peut être évité.

3. Si vous avez suivi les instructions mentionnées ci-dessus et votre machine à quand-même une faible performance, émet du bruit mécanique ou pas de brouillard du tout, débranchez la machine immédiatement du secteur. Vérifiez le niveau du liquide à brouillard, le fusible externe, la connexion avec la télécommande et l'alimentation au secteur. Si tous paraît d'être en bon état, branchez la machine de nouveau au secteur. Si la machine ne fonctionne toujours pas correctement, mettez-la hors marche, afin qu'elle ne soit pas endommagée en permanence. Retournez la machine à votre revendeur Antari. Toujours videz le réservoir avant d'envoyer ou transporter la machine.
4. S'il vous plaît enlevez le couvercle du réservoir de liquide à brouillard, si vous voulez nettoyer le couvercle. Ne le frottez pas directement, si le couvercle se trouve sur le réservoir. Ainsi vous pouvez éviter que de la poussière tombe dans le réservoir de liquide et contamine le liquide à brouillard.
5. S'il vous plaît faites attention à ce qu'il n'y ait pas d'éléments magnétiques près de l'ouverture de sortie de brouillard. Des éléments magnétiques pourraient mener à un dysfonctionnement du capteur de porte.

Actionnement du panneau de contrôle

Le panneau de contrôle intégré est équipé d'un écran LCD qui affiche les différentes étapes du fonctionnement de la machine. Le panneau de contrôle permet de régler les fonctions de la machine en ajustant la durée de la fumée et l'intervalle ainsi que la configuration DMX et le capteur pour la porte. Il y a six boutons sur le panneau de contrôle. L'écran LCD des paramètres d'utilisation sont automatiquement munis d'une mémoire constante qui permet à la machine de ne perdre aucun réglage des fonctions lorsqu'elle est éteinte. Leurs désignations des boutons sont comme suit : [Fonction], [Timer], [Augmenter], [Baisser], [Volume] et [Manuel].

Après de mettre en service, l'écran LCD indique brièvement »Antari HZ-500« et après émission de fumée est possible. L'écran LCD indique »Ready to Haze«.

Fonctionnement continu

Pour activer le mode continu, appuyez sur le bouton VOLUME. En mode continu, l'appareil dégage tout le temps de la fumée. L'écran indique »Working«. Pour désactiver le débit de fumée, appuyez sur le bouton VOLUME autre fois.

-Fonctionnement manuel

Pour dégager immédiatement manuellement la fumée, appuyez et maintenez le bouton MANUAL. L'écran indique »Working«. En lâcher le bouton, le dégagement de fumée est arrêté. Le fonctionnement manuel est prioritaire sur le mode continu et le mode timer. Lorsque un des modes de maniement est activé, la machine à fumée dégage tout le temps quand vous presser le bouton MANUAL.

-Fonctionnement timer

En mode timer, l'appareil dégage automatiquement de la fumée. Les intervalles et la durée et le volume de fumée dépend des paramètres individuels du menu. Pour activer le mode timer, appuyez sur le bouton Timer. L'écran indique la alors l'intervalle ajusté et l'appareil compte les secondes à partir de 0. Pour désactiver le mode timer, appuyez sur le bouton Timer autre fois.

Réglage de menu avec le bouton FUNCTION

1. Réglage de l'intervalle pour le fonctionnement timer

Appuyez sur le bouton FUNCTION jusqu'à l'écran indique »Interval Set« [réglage de l'intervalle]. Utilisez les boutons UP et DOWN pour ajuster les intervalles entre les dégagements individuels de fumée pour le fonctionnement timer (plage de réglage : 1 à 200 secondes).

2. Réglage de la durée pour fonctionnement timer

Appuyez sur le bouton FUNCTION jusqu'à l'écran indique »Duration Set« [réglage de la durée]. Utilisez les boutons UP et DOWN pour ajuster la durée de chaque dégagement de fumée entre 1 à 200 secondes.

3. Réglage de l'adresse DMX512

Appuyez sur le bouton FUNCTION jusqu'à l'écran indique »DMX 512« [Réglage de l'adresse DMX512]. Utilisez les boutons UP et DOWN pour régler l'adresse DMX de l'appareil. Veuillez vous référer au chapitre sur la configuration DMX512.

4. Mettant la détecteur de porte en/hors marche

44Appuyez sur le bouton FUNCTION jusqu'à l'écran indique »DOOR ON SENSOR« [détecteur de porte en marche]. Utilisez le bouton MANUAL pour désactiver la détecteur de porte (indication »DOOR OFF SENSOR«) et le bouton VOLUME pour réactiver la détecteur.
Voir note 2.

5. Production directe de brouillard

Appuyez sur le bouton FUNCTION jusqu'à l'écran indique » Direct Haze« [Production directe de brouillard]. L'unité peut entrer dans le mode Direct Haze en appuyant une fois sur la touche VOLUME. Dans ce mode, la machine à brouillard peut directement commencer avec la production de brouillard par la mise en marche de l'interrupteur d'alimentation. Quand l'unité se trouve dans ce mode, l'écran LCD clignote lentement. Quand l'écran LCD affiche Direct Haze, il est possible de quitter le mode Direct Haze en appuyant une fois sur la touche [MANUAL]. Après avoir quitté ce mode, le clignotement de l'écran LCD s'arrête.

***Note 1 :** La commande Master met hors service toutes les autres commandes dès que la machine est commandée par DMX*

***Note 2 :** Quand le capteur pour la porte devant la buse de sortie est activé (l'affichage LCD indique »DOOR ON SENSOR«) et la porte n'est pas ouverte complètement, et l'utilisateur tente à mettre la machine en service, un vibreur sonore donne un signal d'alarme, et "DOOR CLOSED!!" [PORTE FERMEE!!] est affiché sur l'affichage clignotant. La production de brouillard est arrêtée, jusqu'à ce que la porte soit entièrement ouverte. Quand le détecteur n'est pas activé, l'affichage LCD montre "DOOR OFF SENSOR" [Détecteur porte désactivée], la situation mentionnée en haut ne se produira pas.*

***Note 3 :** Quand l'affichage LCD du HZ-500 indique »Out of Order« [hors de service], la température de la machine est trop haute et le thermostat était activé pour mettre la machine hors de service.

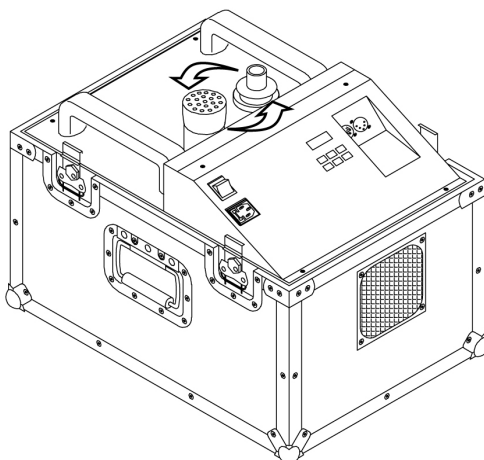
Quand vous avez ce problème, veuillez vérifier les 2 points suivants:

1. Vérifiez que le couvercle de métal sur la soufflerie d'aération est propre et n'a pas de

gissement. Quand le couvercle de métal est pollué ou couvert avec une feuille de papier, de plastique etc. l'aération de la machine n'est plus suffisant résulté dans une température augmentée. Veuillez nettoyer le couvercle de métal régulièrement.

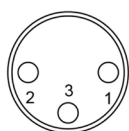
2. Vérifiez la température d'ambiance au lieu d'installation de la machine. Quand la température d'ambiance est trop haute, remplacez la machine à un lieu avec meilleure aération.

***Note 4:** Avant de mouvoir la machine, il est important de remplacer le bec avec l'amortisseur en caoutchouc noir. Assurez-vous que l'amortisseur est inséré fixement pour éviter que liquide sort de la machine. Avant d'utiliser la machine autre fois, assurez-vous que le bec est installé correctement.

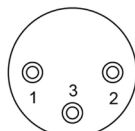


Configuration de la connexion DMX

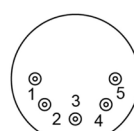
La machine possède fiches XLR 3 pôles et 5 pôles pour connecter un contrôleur DMX. Le graphique ci-dessous montre la configuration des fiches.



3 Pin XLR



5 Pin XLR

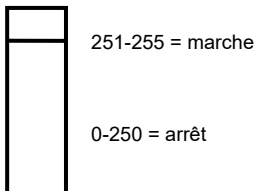


Contact	Fonction
1	Masse
2	Signal-
3	Signal+

Réglages DMX512

La machine possède un système DMX512. Utilisez le panneau de contrôle intégré pour régler l'adresse DMX. La machine dispose d'un canal de contrôle pour marche/arrêt. Le canal varie entre les valeurs DMX 0 à 255. La fonction marche/arrêt peut être programmée par le contrôleur DMX.

Canal A



Entre les valeurs 0 et 250, la machine est en arrêt.
Entre les valeurs 251 et 255, la machine est en marche.

Remarque : En mode DMX, l'appareil ne peut plus contrôler grâce au panneau de contrôle intégré.

Le liquide à brouillard Antari HZL-1 a été conçu particulièrement pour la machine à brouillard Antari HZ-500. Le liquide Antari HZL-1 est un liquide non toxique, qui produit un brouillard pure, translucide, une durabilité extrêmement prolongée, et à faible humidité, qui est parfaitement adapté au HZ-500.

Important: Ne jamais mélanger les liquides à brouillard à base d'huile avec des liquides à brouillard à base d'eau. Avant de changer le genre de liquide à brouillard, toujours videz le réservoir complètement pour que de différents liquides ne se mélangent pas.

Caractéristiques Techniques

Alimentation	US model : AC 100-120V, 50/60Hz 4A EU model : AC 220-240V, 50/60Hz 2A
Puissance de rendement	480W
Consommation de liquide	1.1 ml/min
Contenu du réservoir	2.5l (0.66gal)
Liquide compatible	Antari HZL Haze Fluid
Durée maximale d'utilisation	37 hors à débit maximal
Température ambiante	0 °C - 40 °C (32 °F-104 °F)
Volume d'émission	3,000 ft ³ /min (85 m ³ /min)
Contrôle	DMX, timer, manuellement
Canaux DMX	1 canal
Connexion	CEI (alimentation) , XLR 5 pôles (DMX)
Dimensions	L490 I351 H338 mm (L19.29 I13.82 H13.31 inch)
Poids	31.5 kg (69.45 lbs)

Gardez ces instructions.



Herzlichen Glückwunsch zum Kauf Ihrer neuen ANTARI Dunstnebelmaschine.

Einführung

Vielen Dank, dass Sie sich für die Antari-Dunstnebelmaschine HZ-500 entschieden haben. Damit besitzen Sie nun ein robustes und leistungsstarkes Gerät mit modernster Technik. Bitte lesen Sie vor dem Gebrauch des Geräts alle Anweisungen sorgfältig durch. Wenn Sie die Anweisungen in dieser Bedienungsanleitung befolgen, können Sie sich in den nächsten Jahren auf eine zuverlässige und überzeugende Leistung Ihrer Antari-Dunstnebelmaschine mit einem praktisch unsichtbaren Dunstnebeleffekt freuen.

Bitte halten Sie sich an diese Bedienungs- und Sicherheitsanweisungen, um eine lange und sichere Lebensdauer Ihrer Dunstnebelmaschine sicherzustellen.

Stromschlaggefahr

- Vor Nässe schützen.
- Verwenden Sie eine geerdete 3-polige Steckdose. Vor Inbetriebnahme darauf achten, dass das Gerät an die richtige Spannung angeschlossen wird.
- Trennen Sie die Maschine vor dem Befüllen des Flüssigkeitsbehälters immer vom Netz.
- Wird das Gerät außer Betrieb genommen, ist das Gerät auszuschalten oder vom Netz zu trennen.
- Dieses Gerät ist nicht wasser- oder spritzwassergeschützt. Sollte Feuchtigkeit, Flüssigkeit oder Nebelfluid in das Geräteinnere eindringen, trennen Sie bitte das Nebelgerät sofort vom Netz und

verständigen Sie einen Servicetechniker oder Ihren Antari-Händler, bevor Sie das Gerät wieder in Betrieb nehmen.

Hinweise zur Erdung

- Dieses Gerät muss geerdet werden. Im Falle eines elektrischen Kurzschlusses reduziert die Erdung das Risiko der Stromschlaggefahr durch den Schutzleiter.
- Dieses Produkt verfügt über ein Netzkabel mit Schutzleiter und Schutzkontaktstecker.
- Schließen Sie den Schutzkontaktstecker nur an eine ordnungsgemäß installierte und geerdete Steckdose an, die den lokalen Bestimmungen und Vorschriften entspricht.



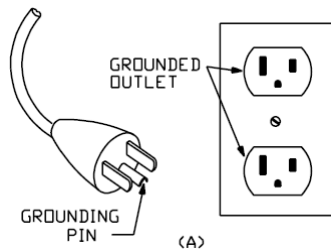
WARNUNG

Bei falschem Anschluss des Schutzkontaktsteckers besteht Stromschlaggefahr.

Schließen Sie den Schutzleiter bei Reparaturen oder einem Austausch des Kabels oder Steckers nicht an einen Flachstecker an.

Die grüne oder grün-gelbe Ader ist der Schutzleiter.

Dieses Gerät ist für den Anschluss an einen Stromkreis mit 120 V Nennspannung zugelassen und verfügt über einen Schutzkontaktstecker (siehe Abbildung A). Schließen Sie das Gerät ausschließlich an dreidrigige, geerdete Steckdosen an. Verwenden Sie keine Adapter für dieses Gerät.



Verwenden Sie ausschließlich dreidrigge Verlängerungsleitungen mit Schutzkontaktstecker und dreidrigge Steckdosen für den Anschluss des Geräts. Vergewissern Sie sich, dass die Verlängerungsleitung keine Beschädigung aufweist. Verwenden Sie nur ausreichend dimensionierte Verlängerungsleitungen. Für Längen unter ___ ft, ___ sind AWG-Verlängerungsleitungen zu verwenden. Zu schwach dimensionierte Kabel führen zu Spannungsverlusten und einer Erhitzung der Kabel.

Ampere Rating Range	Voltage		Length of cord in ft							
	120V	25 ft	50 ft	100 ft	150 ft	200 ft	250 ft	300 ft	400 ft	500 ft
	240V	50 ft	100 ft	200 ft	300 ft	400 ft	500 ft	600 ft	800 ft	1000 ft
0 – 2	18	18	18	16	16	14	14	12	12	12
2 – 3	18	18	16	14	14	12	12	10	10	10
3 – 4	18	18	16	14	12	12	10	10	8	8
4 – 5	18	18	14	12	12	10	10	8	8	8
5 – 6	18	16	14	12	10	10	8	8	6	6
6 – 8	18	16	12	10	10	8	6	6	4	4
8 – 10	18	14	12	10	8	8	6	6	4	4
10 – 12	16	14	10	8	8	6	6	4	4	4
12 – 14	16	12	10	8	6	6	6	4	4	2
14 – 16	16	12	10	8	6	6	4	4	4	2

Brandgefahr

- Im Geräteinnern befinden sich keine vom Benutzer zu wartenden Teile. Wenden Sie sich an Ihren autorisierten Fachhändler für Wartungs- und Servicearbeiten. Bitte versuchen Sie nicht, das Gehäuse auseinanderzubauen oder zu verändern. Bei Nichtbeachtung kann das Gerät beschädigt werden oder Verbrennungsgefahr bestehen!
- Nur für Erwachsene. Das Nebelgerät muss außerhalb der Reichweite von Kindern installiert werden. Betreiben Sie das Gerät niemals unbeaufsichtigt.
- Betreiben Sie das Gerät in gut belüfteten Räumen. Um eine ausreichende Belüftung zu gewährleisten, halten Sie bitte einen Mindestabstand von etwa 20 cm um und über dem Gerät ein.
 - Richten Sie den Auslass niemals auf offenes Feuer oder entflammbare Gegenstände.
- Mischen Sie niemals entzündliche Flüssigkeiten jeglicher Art (Öl, Gas, Duftstoffe) unter das

Nebelfluid.

- Verwenden Sie ausschließlich die von Ihrem Händler empfohlene hochwertige Antari Dunstnebellüssigkeit (HZL-1). Bitte verwenden Sie keine anderen Flüssigkeiten, da dies den Verschleiß von Teilen im Geräteinneren herbeiführen kann.
 - Für den Fall, dass Ihre Dunstnebelmaschine nicht ordnungsgemäß funktioniert, schalten Sie sie bitte sofort ab. Entleeren Sie den Tank vollständig, verpacken Sie das Gerät sorgfältig besten in der Originalverpackung) und schicken Sie es zu Ihrem Antari- Händler ein.
- Entleeren Sie den Tank immer, bevor Sie das Gerät verschicken oder transportieren.
- Trinken Sie niemals Nebelfluid. Sollte es dennoch einmal verschluckt werden, konsultieren Sie bitte sofort einen Arzt. Sollten die Haut oder die Augen einmal mit Nebelfluid in Berührung kommen, bitte sorgfältig mit Wasser auswaschen.

Bitte beachten Sie alle auf Ihrer ANTARI Dunstnebelmaschine angebrachten

Warnhinweise und Anweisungen.

Auspacken und Prüfen des Geräts

Öffnen Sie den Versandkarton und stellen Sie sicher, dass alle Teile, die für den Betrieb des Systems notwendig sind, in einem einwandfreien Zustand eingetroffen sind. Wenn Ausrüstungsteile fehlen sollten, nehmen Sie bitte sofort mit Ihrem Antari-Händler Kontakt auf. Bevor Sie mit der Inbetriebnahme Ihrer Antari-Maschine beginnen, stellen Sie sicher, dass kein offensichtlicher Transportschaden vorliegt. Falls das Gehäuse des Geräts oder das Kabel beschädigt sein sollte, schließen Sie es nicht ans Netz an und versuchen Sie nicht, es zu benutzen, bevor Sie Ihren Antari-Händler kontaktiert haben.

Bedienung und Einfüllen der Dunstnebellüssigkeit

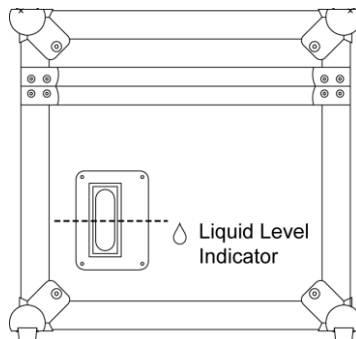
Stellen Sie das Gerät auf eine ebene Fläche. Stecken Sie den Netzstecker des Geräts in

eine geerdete Steckdose.

1. Entfernen Sie die Tankkappe und füllen Sie die Antari-Dunstnebelflüssigkeit langsam in den Flüssigkeitsbehälter ein, um ein Überfüllen zu vermeiden. Befüllungsvorschlag: Bitte füllen Sie bei der ersten Nachfüllung 2 Liter Dunstnebelflüssigkeit ein. Füllen Sie ab der zweiten Nachfüllung 1 Liter ein. Stellen Sie sicher, dass der Flüssigkeitspegel nicht die Markierung auf dem Behälter überschreitet.
2. Bitte füllen Sie die Dunstnebelflüssigkeit langsam ein. Andernfalls kann die Dunstnebelflüssigkeit überlaufen und das Gerät wird beschädigt. Jeder Befüllungsvorgang von 1 Liter Dunstnebelflüssigkeit ist grundsätzlich in 5 Teile aufzuteilen. Das bedeutet, dass Sie nach dem Auffüllen von etwa 200 ml Flüssigkeit mit dem Befüllen aufhören und den Tank überprüfen müssen. Bitte stellen Sie sicher, dass die letzten 200 ml an Dunstnebelflüssigkeit ordnungsgemäß durch den Filter in den Tank gelaufen sind, bevor Sie die nächsten 200 ml in den Tank einfüllen. Gewöhnlich dauert es etwa 10 Sekunden, bis 200 ml Flüssigkeit durch den Filter gelaufen sind.
3. Bitte verwenden Sie ausschließlich Antari-Dunstnebelflüssigkeit. Andere Flüssigkeiten können Ihre Gesundheit gefährden und das Gerät beschädigen. Die Verwendung anderer Flüssigkeiten kann außerdem zum Verlust der Garantieleistung führen.
4. Öffnen Sie die quadratische Tür oben auf dem Flightcase vor der Betätigung, damit der Nebel sanft ausströmen kann.
5. Stellen Sie den Netzschalter auf "ON", um das Gerät einzuschalten und vergewissern Sie sich, dass das rote Kontrolllämpchen aufleuchtet.
6. Auf der Rückseite des Flightcases befindet sich ein Einlassloch. Auf dem Einlass sind ein Metallnetz und ein Filter befestigt, die Verstopfungsprobleme des Geräts verhindern können. Bitte kontrollieren und reinigen Sie Metallnetz und Filter regelmäßig.

Vorsichtsmaßnahmen

1. Achten Sie darauf, dass sich während des Betriebs des Geräts immer ausreichend Dunstnebelflüssigkeit im Flüssigkeitsbehälter befindet.
2. Wenn das Gerät für eine längere Zeitdauer im Freien betrieben wird, können sich herabfallender Staub/Rückstände auf dem Metallnetz und dem Filter auf dem Einlassloch festsetzen. Das Metallnetz und der Filter lassen sich warten, das bedeutet sie können mit einem Schraubendreher leicht entfernt werden. Bitte verwenden Sie Wasser zum regelmäßigen Reinigen des Metallnetzes und des Gitters. Dadurch kann vermieden werden, dass Staub in die Maschine eindringt, und das Verstopfungsproblem von Dunstnebelmaschine wird vermieden.
3. Wenn Sie o. g. Bedienungshinweise befolgt haben und Ihr Gerät dennoch nur einen geringen Dunstnebelausstoß erzeugt, ein mechanisches Geräusch von sich gibt oder gar keinen Dunst ausstößt, trennen Sie es sofort vom Netz. Überprüfen Sie das Flüssigkeitsniveau, die externe Sicherung, die Verbindung mit der Fernbedienung und den Netzstecker. Befinden sich diese in scheinbar einwandfreiem Zustand, schließen Sie das Gerät erneut ans Netz an. Funktioniert die Maschine nach wie vor nicht, setzen Sie sie bitte außer Betrieb; andernfalls können bleibende Schäden am Gerät verursacht werden. Senden Sie das Gerät an Ihren Antari-Händler zurück. Entleeren Sie immer den Tank vor dem Versand bzw. dem Transport des Geräts.



4. Nehmen Sie bitte den Deckel des Dunstnebelflüssigkeitbehälters ab, wenn Sie den Deckel reinigen möchten. Wischen Sie ihn nicht direkt sauber, wenn sich der Deckel auf dem Tank befindet. Dadurch können Sie vermeiden, dass Staub in den Flüssigkeitsbehälter fällt und die Dunstnebelflüssigkeit verunreinigt.
5. Achten Sie bitte darauf, dass sich keine magnetischen Gegenstände in der Nähe der Dunstnebelaustrittsöffnung befinden, diese könnten zu Fehlfunktionen des Türsensors führen.

Bedienfeld

Das integrierte Bedienfeld verfügt über eine LCD-Anzeige, auf der alle Betriebszustände der Maschine abgelesen werden können. Mit dem Bedienfeld kann der Anwender individuell Nebeldauer und Intervall sowie die DMX-Adresse und den Türsensor einstellen. Das Bedienfeld umfasst sechs Tasten. Alle Betriebsparameter werden automatisch in einem nichtflüchtigen Speicher gespeichert. Dadurch bleiben alle Einstellungen erhalten, auch wenn die Maschine ausgeschaltet wird. Die Bedientasten lauten: FUNCTION, Up, Down, TIMER, VOLUME und MANUAL. Sie können die notwendigen Menüeinstellungen mit den Bedientasten vornehmen, wenn das Display »Ready To Haze« [Bereit zum Nebelausstoß] anzeigt.

Nach dem Einschalten zeigt das Display kurz »Antari Hz-500« und ist sofort bereit zum Nebelausstoß. Das Display zeigt »Ready to Haze«.

-Dauerbetrieb

Wenn die Maschine bereit ist zum Nebelausstoß, löst ein kurzer Druck auf die Taste VOLUME einen dauerhaften Nebelausstoß aus. Auf dem Display erscheint »Working« [Nebelproduktion aktiv]. Drücken Sie erneut die Taste VOLUME, um den Nebelausstoß wieder zu stoppen.

-Manueller Betrieb

Für sofortigen Nebelausstoß halten Sie die Taste MANUAL gedrückt. Auf dem Display erscheint » Working«. Sobald Sie die Taste wieder lösen, wird der Nebelausstoß gestoppt. Der manuelle Betrieb hat Vorrang vor dem Dauerbetrieb und dem Timer-Betrieb. Selbst wenn eine dieser Betriebsarten eingestellt ist, stößt die Maschine immer Nebel beim Drücken der Taste MANUAL aus.

-Timer-Betrieb

Im Timer-Betrieb stößt das Gerät automatisch Nebel aus. Die Zeitintervalle und die Nebeldauer und das Nebelvolumen richten sich nach den jeweiligen Menüeinstellungen. Drücken Sie die Taste TIMER, um den Timer-Modus zu aktivieren. Auf dem Display erscheint das eingestellte Zeitintervall. Das Gerät zählt rückwärts bis auf 0 Sekunden und löst den Nebelausstoß aus. Zum Ausschalten des Timer-Betriebs drücken Sie erneut die Taste TIMER.

Menüeinstellungen mit der Taste FUNCTION

1. Zeitintervalle für den Timer-Betrieb einstellen

Drücken Sie die Taste FUNCTION, bis auf der Anzeige »Interval Set« [Intervall einstellen] erscheint. Verwenden Sie die Tasten UP und DOWN, um die Zeitintervalle (d. h. die Pausen zwischen den einzelnen Nebelausstößen) für den Timer-Betrieb zwischen 1 und 200 Sekunden einzustellen.

2. Nebeldauer für den Timer-Betrieb einstellen

Drücken Sie die Taste FUNCTION, bis auf der Anzeige »Duration Set« [Zeitdauer einstellen] erscheint. Verwenden Sie die Tasten UP und DOWN, um die Zeitdauer der Nebelausstöße zwischen 1 und 200 Sekunden einzustellen.

3. DMX512-Adresse einstellen

Drücken Sie die Taste FUNCTION, bis auf der Anzeige »DMX 512« [DMX512-Adresse einstellen] erscheint. Verwenden Sie die Tasten UP und DOWN, um die Maschine auf die DMX-Adresse Ihres IX-Steuergeräts einzustellen. Bitte beachten Sie Kapitel DMX512-Einstellungen für weiterführende Informationen zum DMX-Betrieb.

4. Türsensor an- und ausschalten

Drücken Sie die Taste FUNCTION, bis auf der Anzeige »DOOR ON SENSOR« [Türsensor an An] erscheint. Drücken Sie die Taste MANUAL, um den Türsensor zu deaktivieren [Anzeige »DOOR OFF SENSOR«] und die Taste VOLUME, um ihn wieder zu aktivieren. Bitte beachten Sie *Hinweis 2.

5. Direkte Nebelproduktion

Drücken Sie die Taste FUNCTION, bis auf der Anzeige »Direct Haze« [Direkte Nebelproduktion] erscheint. Die Maschine beginnt direkt nach dem Einschalten mit der Nebelproduktion, wenn Sie kurz die Taste VOLUME drücken. Das Display zeigt »Direct Haze« und blinkt. Drücken Sie kurz die Taste MANUAL, um den Nebelausstoß wieder zu stoppen. Das Display hört auf zu blinken.

***Hinweis 1:** Die Einstellung am Master-Gerät übergeht alle anderen Geräte, wenn das Gerät per DMX gesteuert wird.

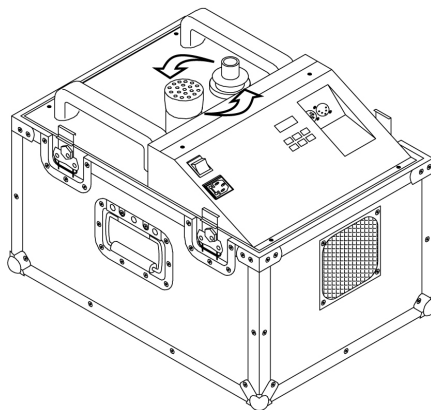
***Hinweis 2:** Bei aktiviertem Türsensor (Anzeige »DOOR ON SENSOR«) ertönt ein Warnton, wenn der Nebelausstoß ausgelöst wird und die Türe nicht vollständig geöffnet ist. Das Display blinkt und zeigt »DOOR CLOSED!!« [Türe geschlossen!]. Der Nebelausstoß wird daraufhin angehalten, bis die Tür vollständig geöffnet ist. Ist der Sensor nicht aktiviert (Anzeige »DOOR OFF SENSOR«), tritt die Schutzfunktion nicht ein.

***Hinweis 3:** Wenn das Display »Out Of Order« [außer Betrieb] zeigt, ist die Betriebstemperatur der Maschine zu hoch und der Thermostat wurde aktiviert, um die Maschine abzuschalten.

Sollte dieses Problem auftreten, prüfen Sie bitte die folgenden zwei Punkte:

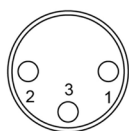
1. Prüfen Sie, ob das Metallgitter über dem Lüftungsgebläse sauber ist und keine Ablagerungen aufweist. Wenn das Metallgitter verschmutzt oder von Papier, Plastik o.ä. bedeckt ist, ist die Belüftung der Maschine stark beeinträchtigt was einen Anstieg der Betriebstemperatur zur Folge hat. Reinigen Sie daher das Metallgitter regelmäßig.
2. Prüfen Sie die Umgebungstemperatur am Installationsort der Maschine. Sollte die Umgebungstemperatur zu hoch sein, stellen Sie Maschine an einen kühleren Platz mit besserer Luftzirkulation.

***Hinweis 4:** Vor dem Transport des Geräts muss die Austrittsdüse mit dem schwarzen Gummistopfen ausgetauscht werden. Dadurch wird beim Transport ein Austreten der Nebelflüssigkeit verhindert, auch wenn das Gerät auf dem Kopf steht. Bringen Sie vor dem nächsten Gebrauch die Düse wieder an und vergewissern Sie sich, dass sie richtig sitzt.

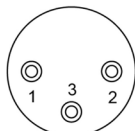


Belegung der DMX-Anschlüsse

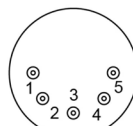
Die Maschine verfügt über 3-polige und 5-polige XLR-Anschlüsse für den Anschluss an einen DMX-Controller. Die nachfolgende Grafik zeigt die Belegung der Buchsen.



3 Pin XLR



5 Pin XLR

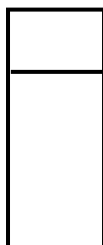


Kontakt	Funktion
1	Masse
2	Signal-
3	Signal+

DMX-Steuerung

Die Maschine verfügt über ein DMX512-System. Der Adressierung erfolgt über das Bedienfeld. Die Maschine kann über einen Steuerkanal ein- und ausgeschaltet werden. Der Kanal bewegt sich innerhalb der DMX-Werte 0 bis 255. Das Ein- und Ausschalten kann auch mit einem DMX-Controller oder mit der DMX-Steuersoftware programmiert werden.

Kanal A



250-255 = an (maximaler Ausstoß)

0-249 = aus (kein Ausstoß)

Zwischen den Werten 0 und 249 von Steuerkanal A ist die Maschine aus.

Zwischen den Werten 250 bis 255 ist sie an.

Hinweis: Im DMX-Betrieb kann das Bedienfeld nicht mehr zur Steuerung der Maschine verwendet werden.

Dunstnebellüssigkeit

Die Antari HZL-1 Dunstnebellüssigkeit wurde speziell für die Antari-Dunstnebelmaschine HZ-500 entwickelt. Bei der Antari-Flüssigkeit HZL-1 handelt es sich um eine ungiftige Lösung, die einen reinen, lichtdurchlässigen Dunstnebel mit außergewöhnlich langer Dauer und geringem Feuchtigkeitsgrad erzeugt und perfekt auf das HZ-500 abgestimmt ist.

Wichtiger Hinweis: Vermischen Sie niemals Dunstnebellüssigkeiten auf Ölbasis mit Dunstnebellüssigkeiten auf Wasserbasis. Bevor Sie die Art der Dunstnebellüssigkeit ändern, entleeren Sie den Flüssigkeitsbehälter des Geräts vollständig, um eine Vermischung zu vermeiden.

Technische Daten

Spannungsversorgung	US model : AC 100-120V, 50/60Hz 4A EU model : AC 220-240V, 50/60Hz 2A
Gesamtanschlusswert	480W
Fluidverbrauch	1,1 ml/min
Tankinhalt	2,5l (0,66gal)
Kompatible Nebellüssigkeit	Antari HZL Haze Nebellüssigkeit
Betriebszeit	37 Std. bei max. Ausstoß
Umgebungstemperaturbereich	0 °C - 40 °C (32 °F-104 °F)
Leistung	3.000 ft ³ /min (85 m ³ /min)
Steuerung	DMX, Timer, manuell
DMX-Kanäle	1 Kanal
Anschluss	IEC (Stromversorgung)

XLR 5-pol (DMX)

Maße

L490 B351 H338 mm

(L19,29 B13,82 H13,31 inch)

Gewicht

31,5 kg (69,45 lbs)

Bitte bewahren Sie diese Anleitung gut auf.