



**ENGLISH**

**VT201 - 4K-HDMI / USB KVM Extender Set (TX/RX) V1**

**Product code: 101241**

## Preface

---

Thank you for purchasing this DMT product.

The purpose of this user manual is to provide instructions for the correct and safe use of this product.

Keep the user manual for future reference as it is an integral part of the product. The user manual shall be stored at an easily accessible location.

This user manual contains information concerning:

- Safety instructions
- Installation and operation of the device
- Intended and non-intended use of the device
- Maintenance procedures
- Troubleshooting
- Transport, storage and disposal of the device

Non-observance of the instructions in this user manual may result in serious injuries and damage of property.

©2021 DMT. All rights reserved.

No part of this document may be copied, published or otherwise reproduced without the prior written consent of Highlite International.

Design and product specifications are subject to change without prior notice.

For the latest version of this document or other language versions, please visit our website [www.highlite.com](http://www.highlite.com) or contact us at [service@highlite.com](mailto:service@highlite.com).

Highlite International and its authorized service providers are not liable for any injury, damage, direct or indirect loss, consequential or economic loss or any other loss arising from the use of, or inability to use or reliance on the information contained in this document.

## Table of contents

<b>1. Introduction</b>	<b>3</b>
1.1. Before Using the Product	3
1.2. Intended Use	3
1.3. Product Lifespan	4
1.4. Text Conventions	4
1.5. Symbols and Signal Words	4
1.6. Symbols on the Information Label	4
<b>2. Safety</b>	<b>5</b>
2.1. Warnings and Safety Instructions	5
2.2. Requirements for the User	6
<b>3. Description of the Device</b>	<b>7</b>
3.1. Front View Transmitter	7
3.2. Back View Transmitter	7
3.3. Front View Receiver	8
3.4. Back View Receiver	8
3.5. Product Specifications	9
3.6. Dimensions	10
<b>4. Installation</b>	<b>11</b>
4.1. Installation Site Requirements	11
4.2. Connecting to Power Supply	11
<b>5. Setup</b>	<b>12</b>
5.1. Warnings and Precautions	12
5.2. Setup Example	12
<b>6. Operation</b>	<b>13</b>
6.1. Safety Instructions for Operation	13
<b>7. Troubleshooting</b>	<b>14</b>
<b>8. Maintenance</b>	<b>15</b>
8.1. Safety Instructions for Maintenance	15
8.2. Preventive Maintenance	15
8.2.1. Basic Cleaning Instructions	15
8.3. Corrective Maintenance	15
<b>9. Deinstallation, Transportation and Storage</b>	<b>16</b>
<b>10. Disposal</b>	<b>17</b>
<b>11. Approval</b>	<b>18</b>

## 1. Introduction

### 1.1. Before Using the Product



**Important**

**Read and follow the instructions in this user manual before installing, operating or servicing this product.**

The manufacturer will not accept liability for any resulting damages caused by the non-observance of this manual.

After unpacking, check the contents of the box. If any parts are missing or damaged, contact your Highlite International dealer.

Your shipment includes:

- VT201 - 4K-HDMI / USB KVM Extender Set (TX/RX)
- 2x Jack Cable with IR eye (IR IN) (1,5 m)
- 2x Jack Cable with IR eye (IR OUT) (1,5 m)
- USB-A to USB-B cable
- 2x brackets
- 2x DC Power Adapter (input 100-240VAC, Output 12V 2A) (1,1 m)
- User manual

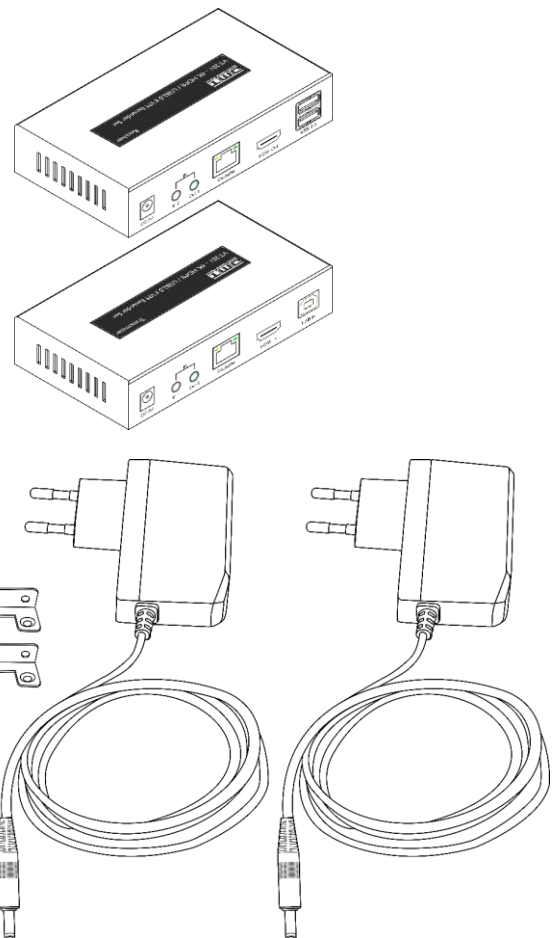


Fig. 01

### 1.2. Intended Use

This device is intended for professional use as an HDMI matrix switch. It is suitable only for indoor installation. This device is not suitable for households.

Any other use, not mentioned under intended use, is regarded as non-intended and incorrect use.

### 1.3. Product Lifespan

This device is not designed for permanent operation. Disconnect the device from the electrical power supply when the device is not in operation. This will reduce the wear and will improve the device's lifespan.

### 1.4. Text Conventions

Throughout the user manual the following text conventions are used:

- Buttons: All buttons are in bold lettering, for example "Press the **UP/DOWN** buttons"
- References: References to chapters and parts of the device are in bold lettering, for example: "Refer to **2. Safety**", "turn the **adjustment screw (02)**"
- 0–255: Defines a range of values
- Notes: **Note:** (in bold lettering) is followed by useful information or tips

### 1.5. Symbols and Signal Words

Safety notes and warnings are indicated throughout the user manual by safety signs.

Always follow the instructions provided in this user manual.



#### DANGER

Indicates an imminently hazardous situation which, if not avoided, will result in death or serious injury.



#### WARNING

Indicates a potentially hazardous situation which, if not avoided, could result in death or serious injury.



#### CAUTION

Indicates a potentially hazardous situation, which, if not avoided, may result in minor or moderate injury.



#### Attention

Indicates important information for the correct operation and use of the product.



#### Important

Read and observe the instructions in this document.



Provides important information about the disposal of this product.

### 1.6. Symbols on the Information Label

This product is provided with an information label. The information label is located on the bottom plate of the device.

The information label contains the following symbols:



This device is designed for indoor use.



This device is IEC protection class III.



This device shall not be treated as household waste.



Read and observe the instructions in this document.

## 2. Safety



**Important**  
Read and follow the instructions in this user manual before installing, operating or servicing this product.

The manufacturer will not accept liability for any resulting damages caused by the non-observance of this manual.

### 2.1. Warnings and Safety Instructions



**DANGER**  
Danger for children

For adult use only. The device must be installed beyond the reach of children.

- Do not leave various parts of the packaging (plastic bags, polystyrene foam, nails, etc.) within children's reach. Packaging material is a potential source of danger for children.



**DANGER**  
Incorrect handling of the AC power adapter may result in hazardous situations

This device is delivered with an AC power adapter. Incorrect handling of the AC power adapter may result in hazardous situations.

- Use only the AC power adapter delivered with the device.
- Do not wrap the power cable around the power adapter or any other object. This can damage the internal wires.
- Do not cover the power adapter with anything when it is plugged into the socket-outlet. This may cause overheating.
- Do not expose the power adapter to water or other liquids.

Do not use the power adapter:

- If it shows signs of overheating, for example the plastic is damaged.
- If the AC input pins show signs of corrosion or overheating.
- If the power cable is damaged or shows signs of material fatigue.



**Attention**  
**General safety**

- Do not insert objects into the air vents.
- Do not switch the device on and off in short intervals. This decreases the device's life.
- Do not shake the device. Avoid brute force when installing or operating the device.
- If the device is dropped or struck, disconnect the device from the electrical power supply immediately.
- If the device is exposed to extreme temperature variations (e.g. after transportation), do not switch it on immediately. Let the device reach room temperature before switching it on, otherwise it may be damaged by the formed condensation.



**Attention**  
**This device shall be used only for the purposes it is designed for.**

This device is designed to be used as a professional laser projector. Any incorrect use may lead to hazardous situations and result in injuries and material damage.

- This device is not designed for permanent operation.
- This device does not contain user-serviceable parts. Unauthorized modifications to the device will render the warranty void. Such modifications may result in injuries and material damage.



**Attention**  
**Do not expose the device to conditions that exceed the rated IP class conditions.**

This device is IP20 rated. IP (Ingress Protection) 20 class provides protection against solid objects greater than 12 mm, such as fingers, and no protection against harmful ingress of water.

## 2.2. Requirements for the User

This product may be used by ordinary persons. Maintenance and installation may be carried by ordinary persons. Service shall be carried out only by instructed or skilled persons. Contact your Highlite International dealer for more information.

Instructed persons have been instructed and trained by a skilled person, or are supervised by a skilled person, for specific tasks and work activities associated with the operation, installation, service and maintenance of this product, so that they can identify risks and take precautions to avoid them.

Skilled persons have training or experience, which enables them to recognize risks and to avoid hazards associated with the operation, installation, service and maintenance of this product.

Ordinary persons are all persons other than instructed persons and skilled persons. Ordinary persons include not only users of the product but also any other persons that may have access to the device or who may be in the vicinity of the device.

### 3. Description of the Device

The DMT VT201 - 4K-KVM / USB Extender Set enables sending HDMI, USB and Infrared signals over long distances. It consists of a signal sender and receiver unit that can communicate through a network cable (not included). Its HDMI signal supports a resolution up to 4K (3840x2160 @30 Hz). Furthermore, it also offers USB 2.0 and Bi-Directional IR signal transmission.

Please note that a network switch is required when bridging a distance of more than 100 meters.

#### 3.1. Front View Transmitter

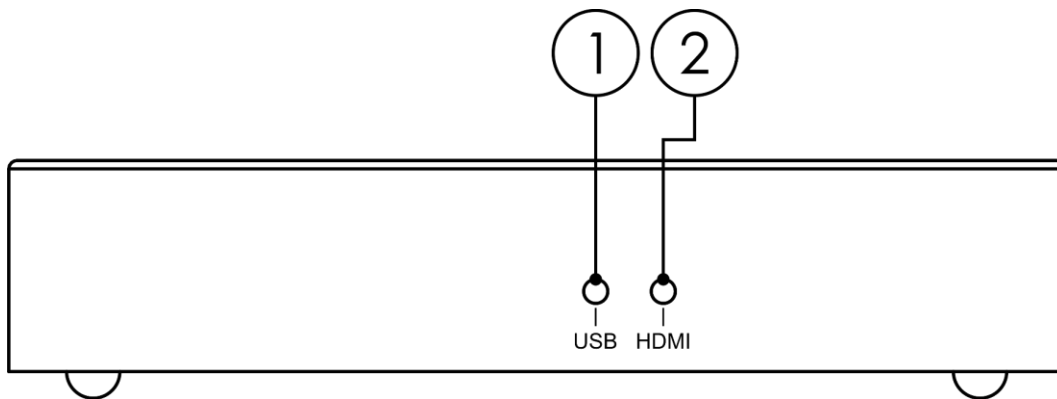


Fig. 02

- 01) USB LED
- 02) HDMI LED

#### 3.2. Back View Transmitter

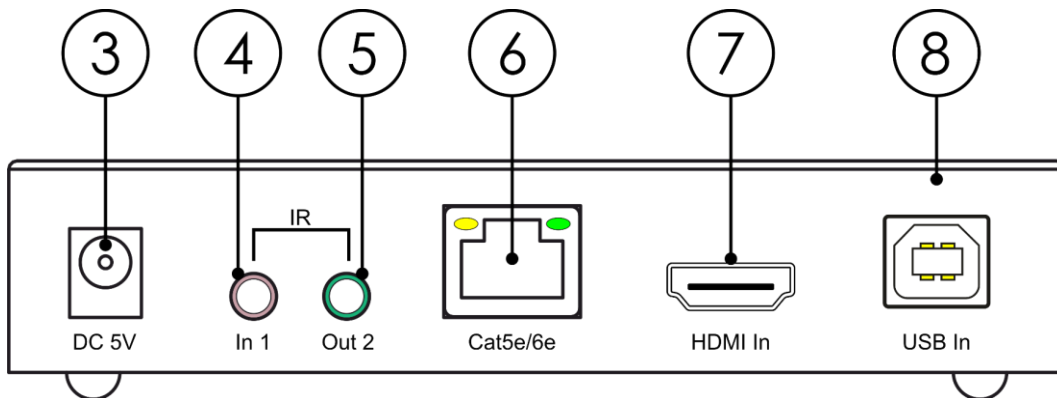


Fig. 03

- 03) DC5V
- 04) In 1: Jack connector for Infrared sensor for remote control
- 05) Out 2: Jack connector for Infrared sensor for remote control
- 06) CAT 5e/6e
- 07) HDMI IN
- 08) USB In (USB B)



### 3.3. Front View Receiver

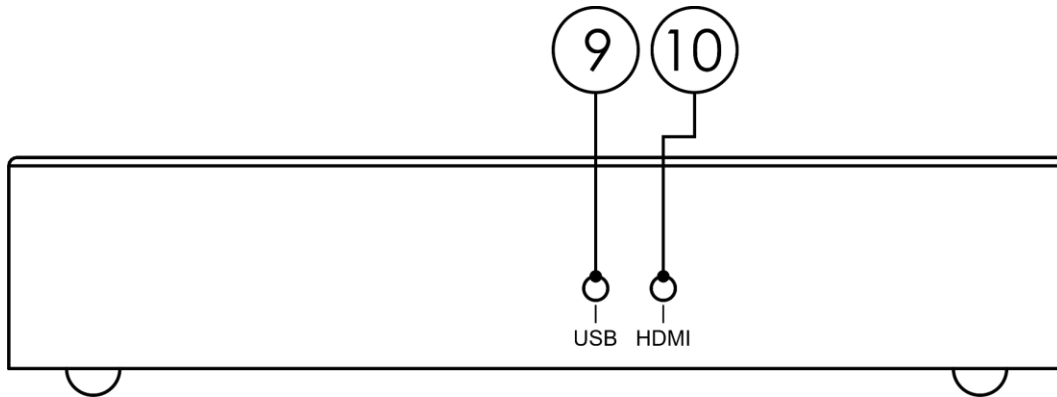


Fig. 04

- 09) USB LED
- 10) HDMI LED

### 3.4. Back View Receiver

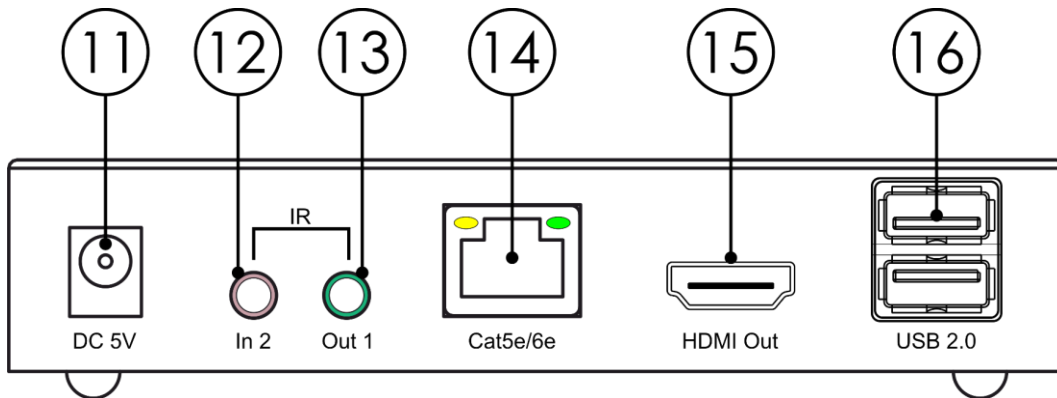


Fig. 05

- 11) DC5V
- 12) In 2: Jack connector for Infrared sensor for remote control
- 13) Out 1: Jack connector for Infrared sensor for remote control
- 14) CAT 5e/6e
- 15) HDMI OUT
- 16) 2x USB 2.0 (USB A)

### 3.5. Product Specifications

Model:	VT201 - 4K-HDMI / USB KVM Extender Set (TX/RX)
<b>Electrical Transmitter:</b>	
Input voltage:	100–240 V AC, 50/60 Hz
Power consumption:	3,5 W
Power supply	5V DC / 2A
<b>Physical Transmitter::</b>	
Dimensions:	125 x 70 x 25 mm (LxWxH)
Weight:	0,24 kg
<b>Connections Transmitter:</b>	
Inputs:	In 1: Jack connector for Infrared sensor for remote control CAT 5e/6e HDMI IN 2.0 USB In (USB B)
Outputs:	Out 2: Jack connector for Infrared sensor for remote control
HDMI resolution:	Up to 4K (3840 x 2160 @30 Hz)
<b>Electrical Receiver:</b>	
Input voltage:	100–240 V AC, 50/60 Hz
Power consumption:	7 W
Power supply	5V DC / 2A
<b>Physical Receiver::</b>	
Dimensions:	125 x 70 x 25 mm (LxWxH)
Weight:	0,26 kg
<b>Connections Receiver:</b>	
Inputs:	In 2: Jack connector for Infrared sensor for remote control CAT 5e/6e 2x USB 2.0 (USB A)
Output:	HDMI OUT 2.0 Out 1: Jack connector for Infrared sensor for remote control
HDMI resolution:	Up to 4K (3840 x 2160 @30 Hz)
<b>Thermal:</b>	
Maximum ambient temperature $t_a$ :	40 °C
Minimum ambient temperature:	-10 °C
Maximum housing temperature $t_c$ :	50 °C
Humidity:	5–90 %

### 3.6. Dimensions

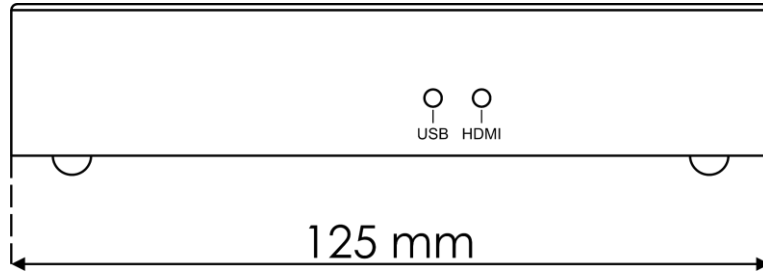


Fig. 06

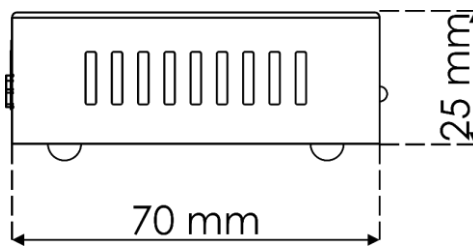


Fig. 07

## 4. Installation

---

### 4.1. Installation Site Requirements

- The device must be installed only indoors.
- The device can be positioned on a flat surface.
- The maximum ambient temperature  $t_a = 40\text{ °C}$  must never be exceeded.
- The relative humidity must not exceed 50 % with an ambient temperature of 40 °C.

### 4.2. Connecting to Power Supply



**Attention**  
Incorrect handling of the AC power adapter may result in hazardous situations

This device is delivered with an AC power adapter. Incorrect handling of the AC power adapter may result in hazardous situations.

Connect the device to the socket-outlet with the delivered AC power adapter. Use only the AC power adapter delivered with the device

## 5. Setup

### 5.1. Warnings and Precautions



**Attention**

Connect all data cables before supplying power.

Disconnect power supply before connecting or disconnecting data cables.

### 5.2. Setup Example

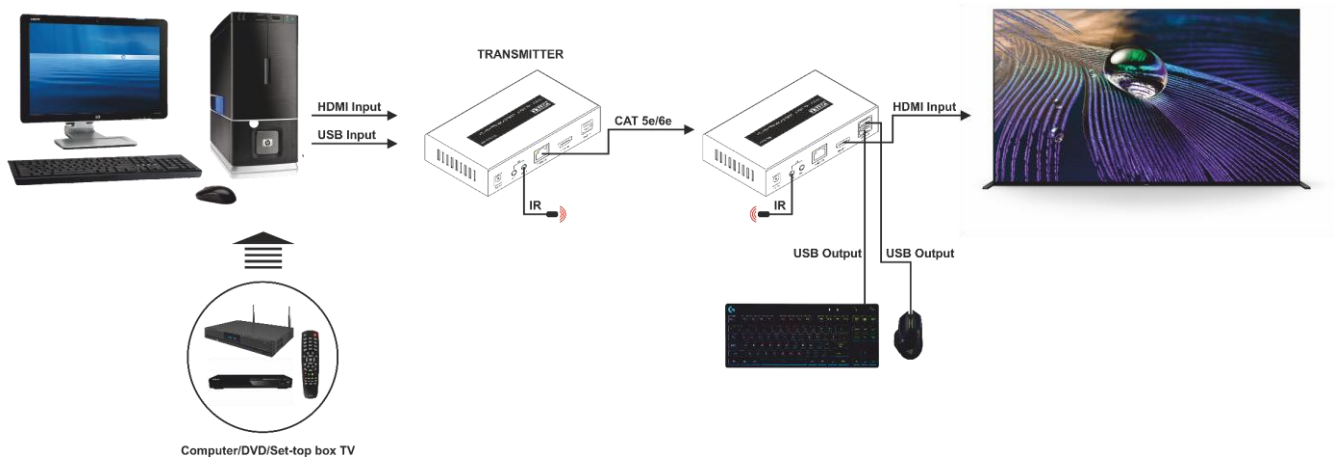


Fig. 08

## 6. Operation

---

### 6.1. Safety Instructions for Operation



**Attention**

**This device must be used only for the purposes it is designed for.**

This device is intended for professional use as an HDMI matrix switch. It is suitable only for indoor installation. It is suitable only for indoor installation.

Any other use, not mentioned under intended use, is regarded as non-intended and incorrect use.

## 7. Troubleshooting

This troubleshooting guide contains actions which can be carried out by the user. The device does not contain user-serviceable parts.

Unauthorized modifications to the device will render the warranty void. Such modifications may result in injuries and material damage.

Refer servicing to instructed or skilled persons. Contact your Highlite International dealer in case the solution is not described in the table.

Problem	Probable cause(s)	Solution
The device does not power up	No power to the device	<ul style="list-style-type: none"> <li>Check if power is switched on and cables are plugged in</li> </ul>
The device does not respond to DMX control	The controller is not connected	<ul style="list-style-type: none"> <li>Connect the controller</li> </ul>
	The device is not in DMX mode	<ul style="list-style-type: none"> <li>Activate DMX mode from the main menu</li> </ul>
	The signal is reversed. The 3-pin/5-pin DMX OUT of the controller does not match the DMX IN of the device	<ul style="list-style-type: none"> <li>Install a phase-reversing cable between the controller and the device</li> </ul>
	The controller is defective	<ul style="list-style-type: none"> <li>Try using another controller</li> </ul>
The device responds erratically to DMX control	Bad data link connection	<ul style="list-style-type: none"> <li>Examine connections and cables. Correct poor connections. Repair or replace damaged cables</li> </ul>
	The data link is not terminated with a 120 $\Omega$ termination plug	<ul style="list-style-type: none"> <li>Insert a termination plug in the DMX OUT connector of the last device on the link</li> </ul>
	Incorrect addressing	<ul style="list-style-type: none"> <li>Check address settings and correct, if necessary</li> </ul>
	In case of a setup with multiple devices, one of the devices is defective and disturbs data transmission on the link	<ul style="list-style-type: none"> <li>To find out which is the defective device, bypass one device at a time until normal operation is restored</li> </ul>
The device does not respond to IR remote control	The IR sensor is out of range	<ul style="list-style-type: none"> <li>Try using the remote control from a different angle.</li> </ul>
	The battery of the remote control is depleted	<ul style="list-style-type: none"> <li>Change the battery</li> </ul>

## 8. Maintenance

### 8.1. Safety Instructions for Maintenance

Maintenance and cleaning shall be carried out only by instructed persons. Follow the maintenance schedule established for the site where the electrical enclosure is installed.

Disconnect power supply before servicing or cleaning.

### 8.2. Preventive Maintenance



#### Attention

Before each use, examine the device visually for any defects.

Make sure that:

- All screws used for installing the device or parts of the device are tightly fastened and are not corroded.
- There are no deformations on housings, fixations and installation points.
- The power cables are not damaged and do not show any material fatigue.

#### 8.2.1. Basic Cleaning Instructions

To clean the device, follow the steps below:

- 01) Disconnect the electrical enclosure from the power supply.
- 02) Clean the device with a soft, lint-free cloth.
- 03) Remove residual dust with an air-duster or air-blower. Keep the air-duster or air-blower at a minimum distance of 30 cm.



#### Attention

- Do not immerse the device in liquid.
- Do not use alcohol or solvents.
- Do not clean the device with a brush.
- Make sure that the connections are fully dry before connecting the device to the power supply and to other devices.

### 8.3. Corrective Maintenance

The device does not contain user-serviceable parts. Do not open the device and do not modify the device.

Refer repairs and servicing to skilled persons. Contact your Highlite International dealer for more information.



## 9. Deinstallation, Transportation and Storage

---

- Disconnect power supply before deinstallation.
- Use the original packaging to transport the device, if possible.
- Always observe the handling instructions printed on the outer carton box, for example: "Handle with care", "This side up", "Fragile".
- Clean the device before storing. Follow the cleaning instructions in chapter **8.2.1. Basic Cleaning Instructions** on page 15.
- Store the device in the original packaging, if possible.

## 10. Disposal

---

### Correct disposal of this product



Disposal of Old Electrical and Electronic Equipment (Applicable in the European Union and other European countries with separate collection systems)

This symbol on the product, its packaging or documents indicates that the product shall not be treated as household waste. Dispose of this product by handing it to the applicable collection point for the recycling of electrical and electronic equipment. This is to avoid environmental damage or personal injury due to uncontrolled waste disposal. For more detailed information about recycling of this product contact the local authorities or the authorized dealer.

## 11. Approval

---



Check the respective product page on the website of Highlite International ([www.highlite.com](http://www.highlite.com)) for an available declaration of conformity.



©2021 DMT